

OPEN FIREPLACES FROM BRUNNER



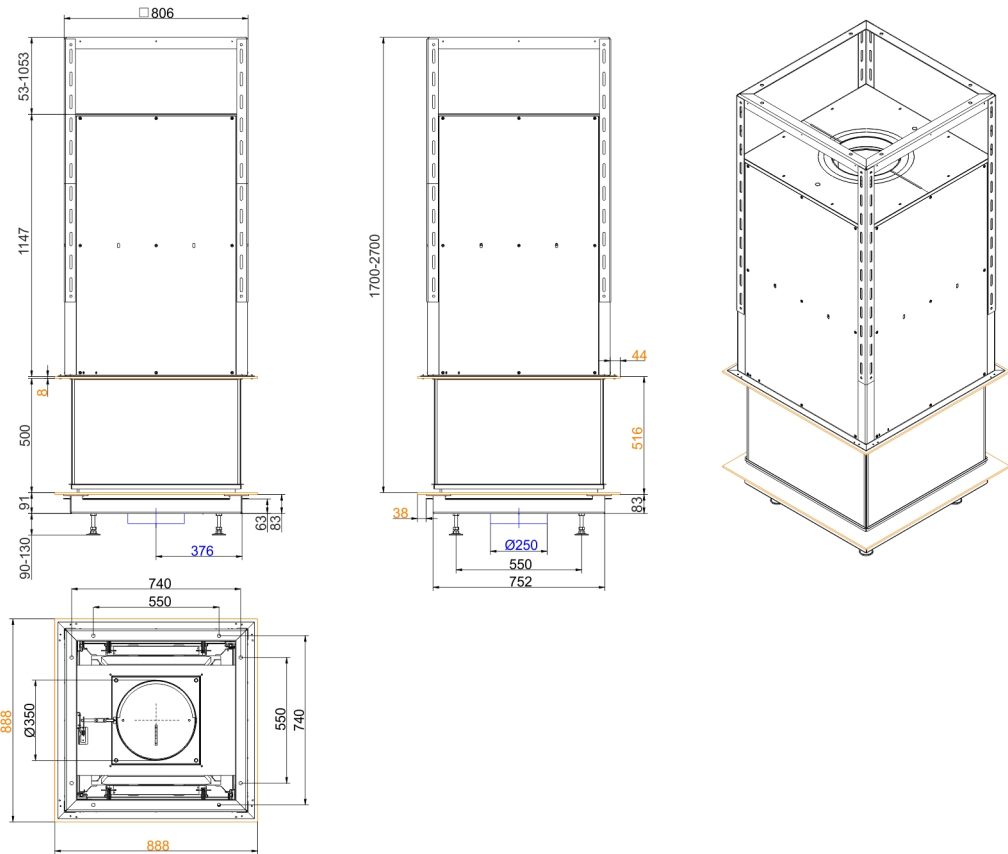
Urfeuer® 4free

State: 2018-04-12

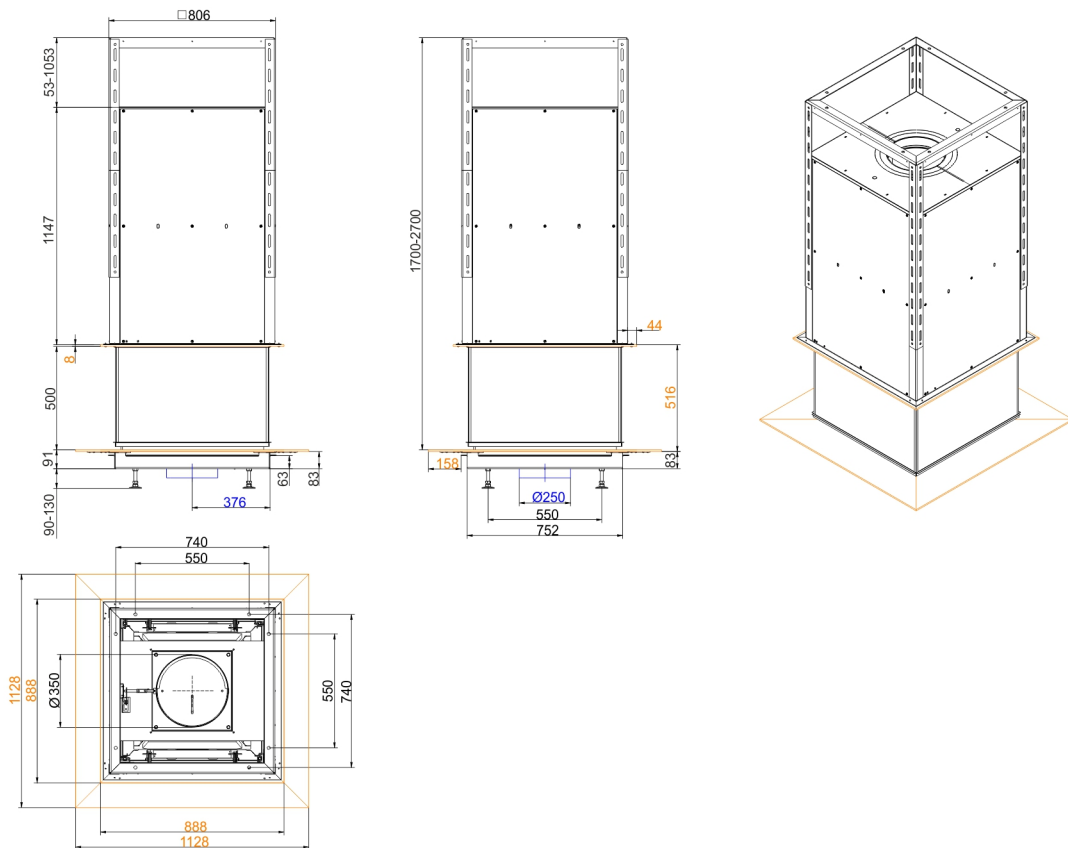


BRUNNER[®]
made in germany.

Dimension sheets - Urfeuer® 4free



... with fire table mounting frame



... with fire table

We suggest for CAD planing Palette CAD. Permanent updated drawings: www.brunner.de
 Frames / front versions are marked colored.

Planning and installation - Urfeuer® 4free

EEI		53.5
Data for functional demonstration		
Flue gas mass flow	g/s	120
Outlet temperature	°C	80
Necessary supply pressure	Pa	7
Total fuel load	kg	2 - 5
Combustion air consumption	m³/h	410
Combustion air connection Ø	mm	250
Cross-section of gratings		
Convection air	cm²	500
Supply air	cm²	500
Min. distances of fireplace without / with convection casing		
to insulation layer	cm	6
to mounting floor	cm	2.5
Thermal insulation without / with air gratings		
Mounting wall	cm	10
Ceiling	cm	14
Brick lining for combustible wall	cm	10
Weight		
Fireplace / combustion chamber	kg	190 + 119 / 48 / -