

FIREPLACE KIT SYSTEM FROM BRUNNER



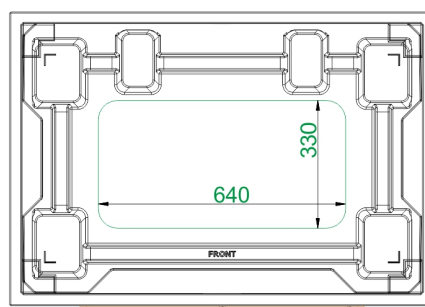
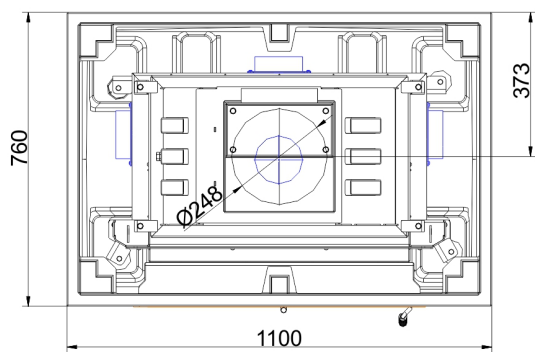
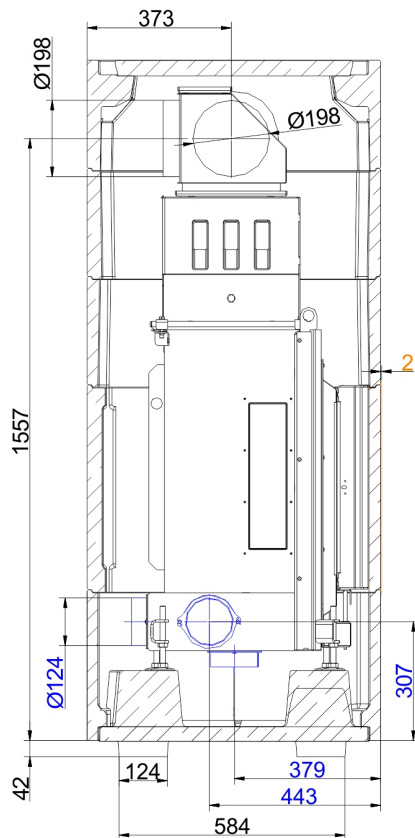
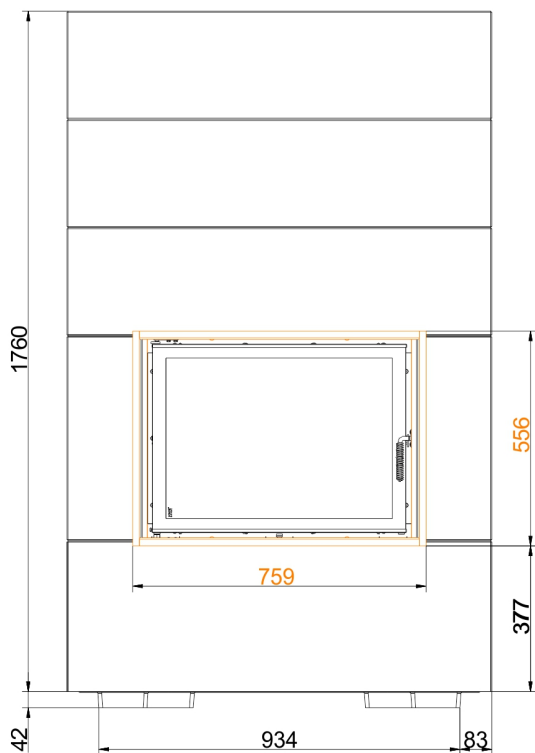
BSK 08 with Stil-Kamin 51/67

State: 2018-03-02



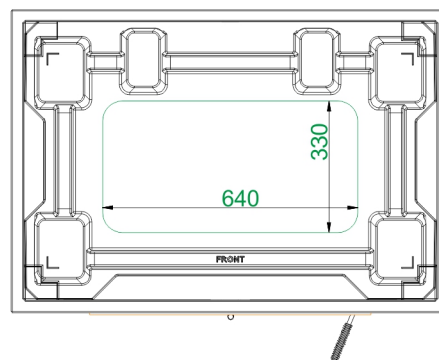
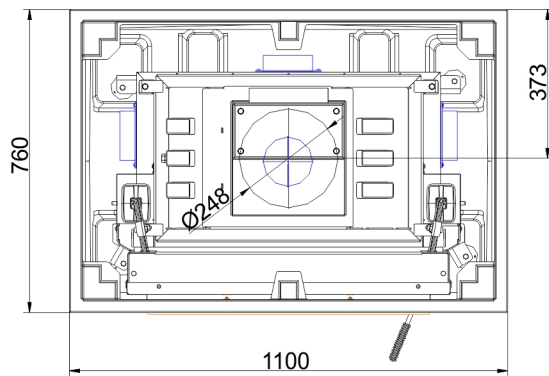
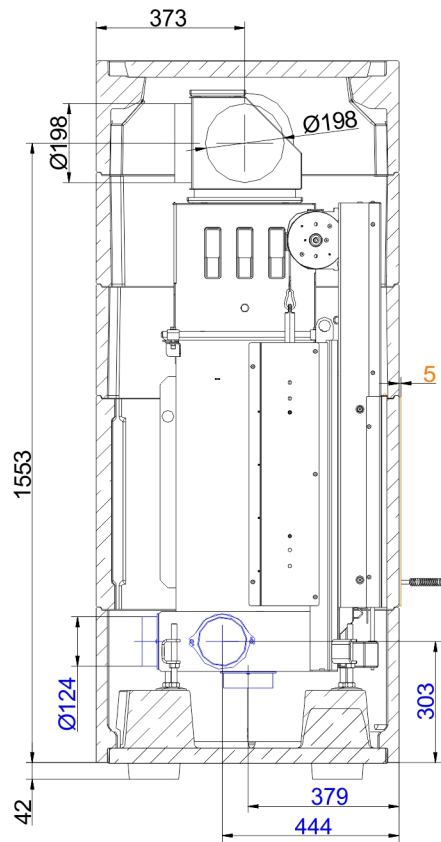
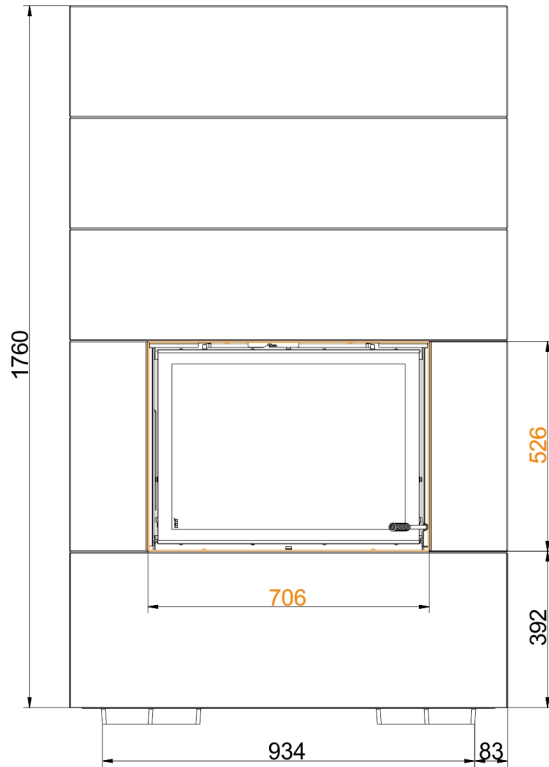
BRUNNER[®]
made in germany.

Dimension sheets - BSK 08 with Stil-Kamin 51/67



... side opening

Dimension sheets - BSK 08 with Stil-Kamin 51/67



... lifting door

We suggest for CAD planing Palette CAD. Permanent updated drawings: www.brunner.de
Frames / front versions are marked colored.

Planning and installation - BSK 08 with Stil-Kamin 51/67

Tested according to		EN 13229
Data for functional demonstration		
Rated heat power	kW	11
Fire wood volume	kg/h	3.3
Flue gas mass flow	g/s	10.5
Flue gas temperature	g/s	250
Necessary supply pressure ¹⁾	Pa	13
Combustion air consumption	m ³ /h	40
Combustion air connection Ø	mm	125
Cladding components		
Foot print (W x D)	mm	1100 x 760
Overall height	mm	1802
Height of extension ring	mm	280
Minimal distances		
to mounting wall	cm	5
to mounting wall with heat protection panels	cm	0
to combustible mounting wall	cm	10
to combustible mounting wall with heat protection panels	cm	5
from top of fireplace to ceiling	cm	50
Cross-section of gratings ²⁾		
Convection air	cm ²	1110
Supply air	cm ²	900
Thermal insulation without / with air gratings		
In ceiling region connection without/with air grate	cm	16 / 12
Weight		
Total weight	kg	647 / 691
Meets requirement/limit values for:		
Germany/ Austria / Suisse / Norway	1.BImSchV (Stufe 2) / 15a BVG (2015) / - / -	

- 1) Damper flap recommended
 2) Openings for the air