



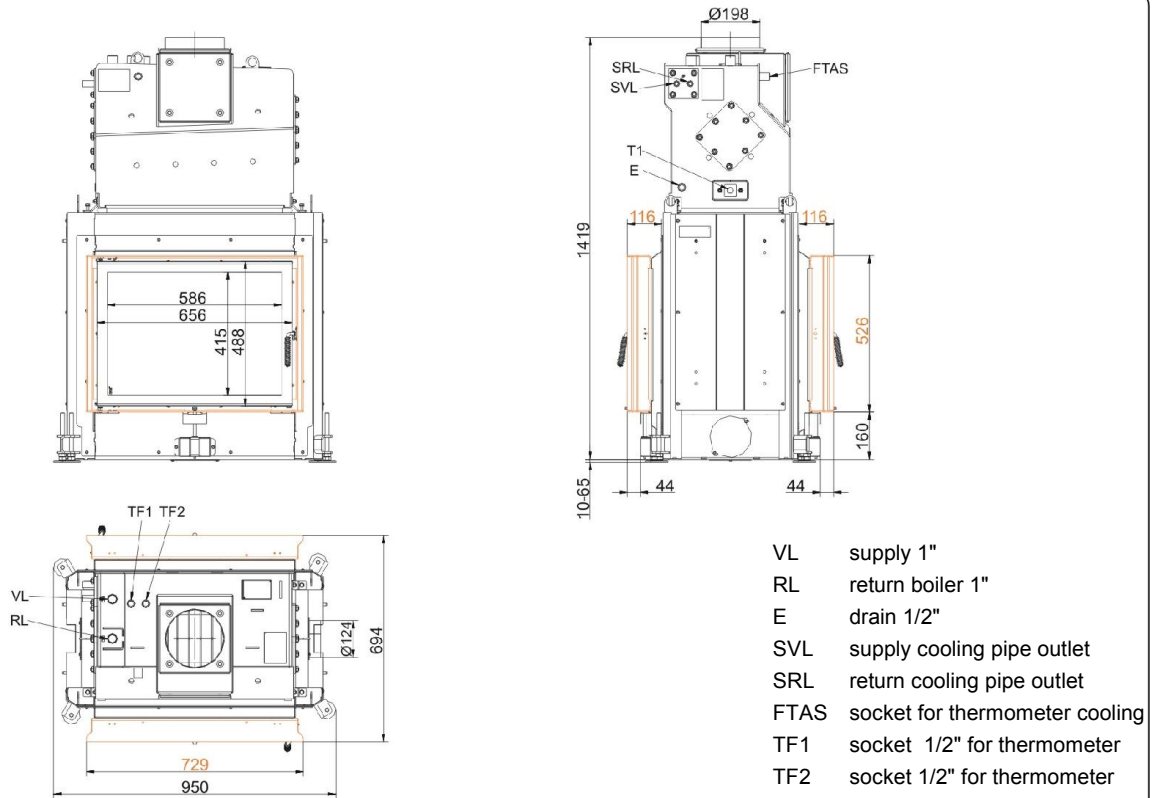
Stil-Tunnel 51/67 mit Kesselaufsatz

State: 17.08.2016

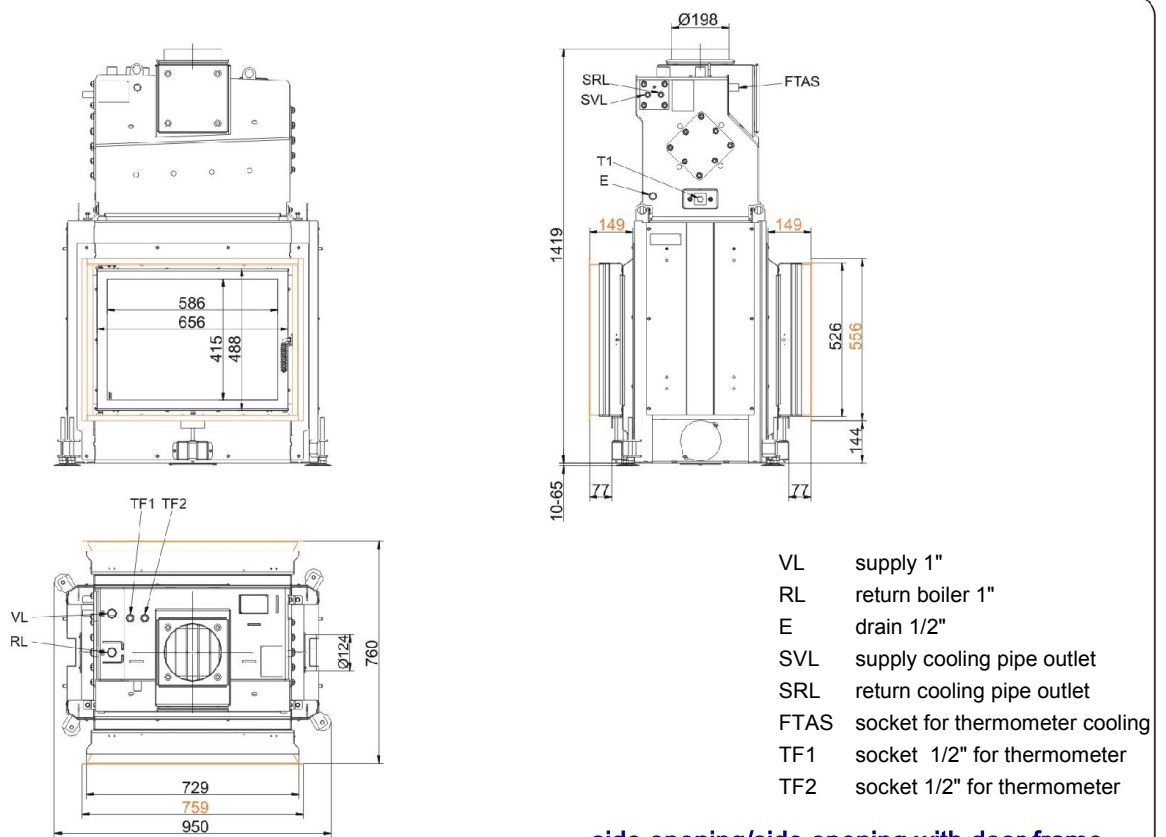


BRUNNER[®]
made in germany

Dimension sheet | **Stil-Tunnel 51/67 mit Kesselaufsatz**



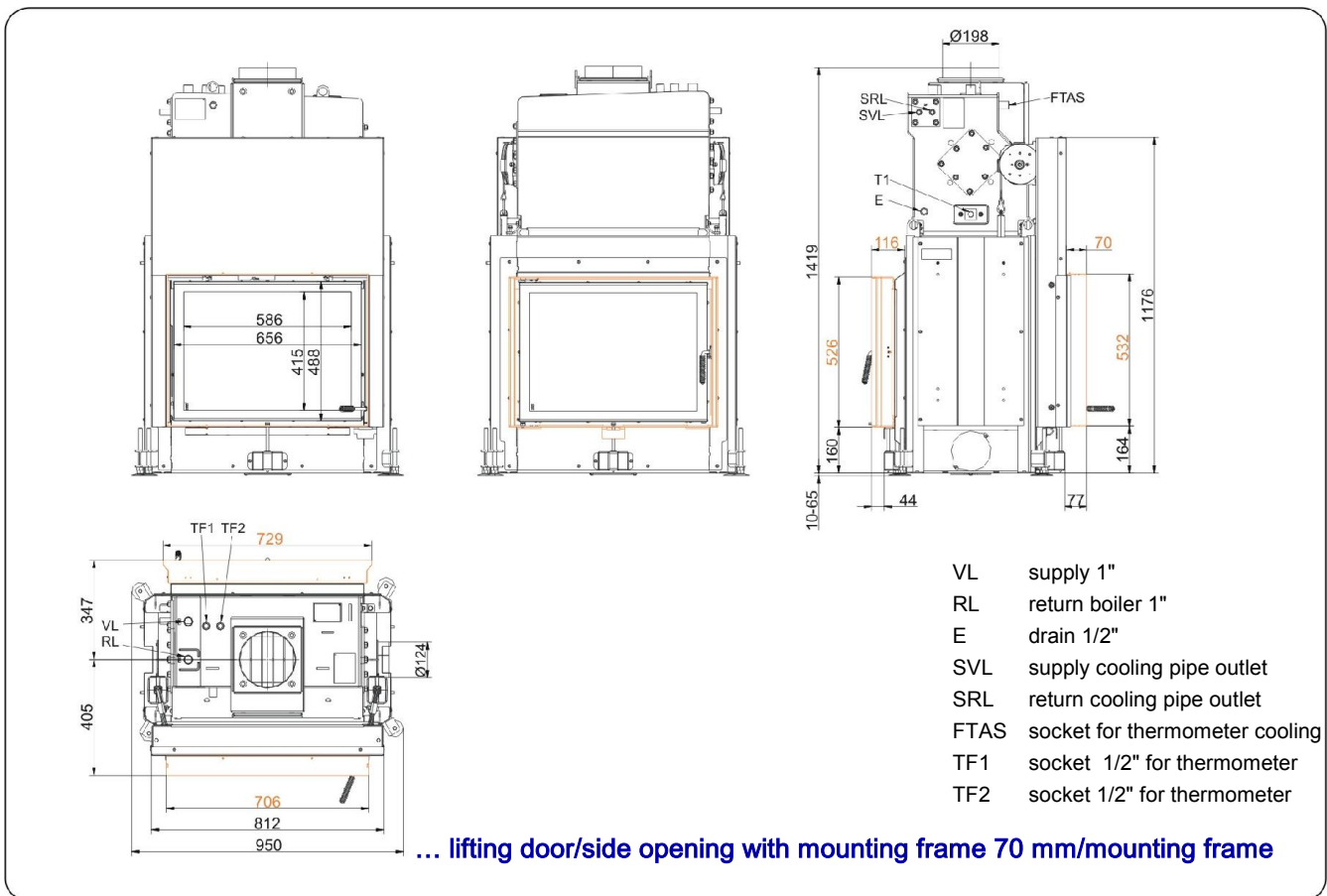
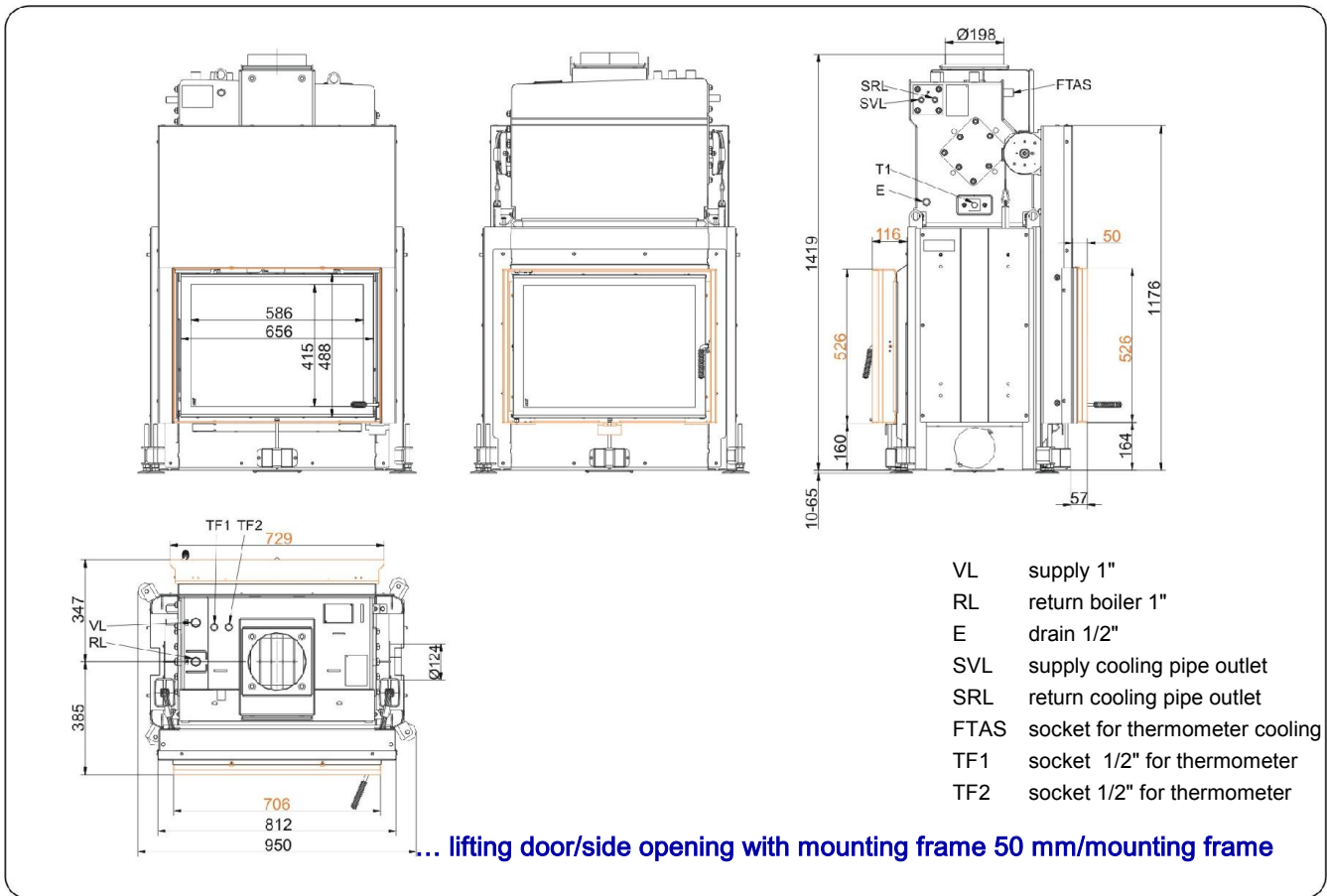
... side opening/side opening with mounting frame



... side opening/side opening with door frame

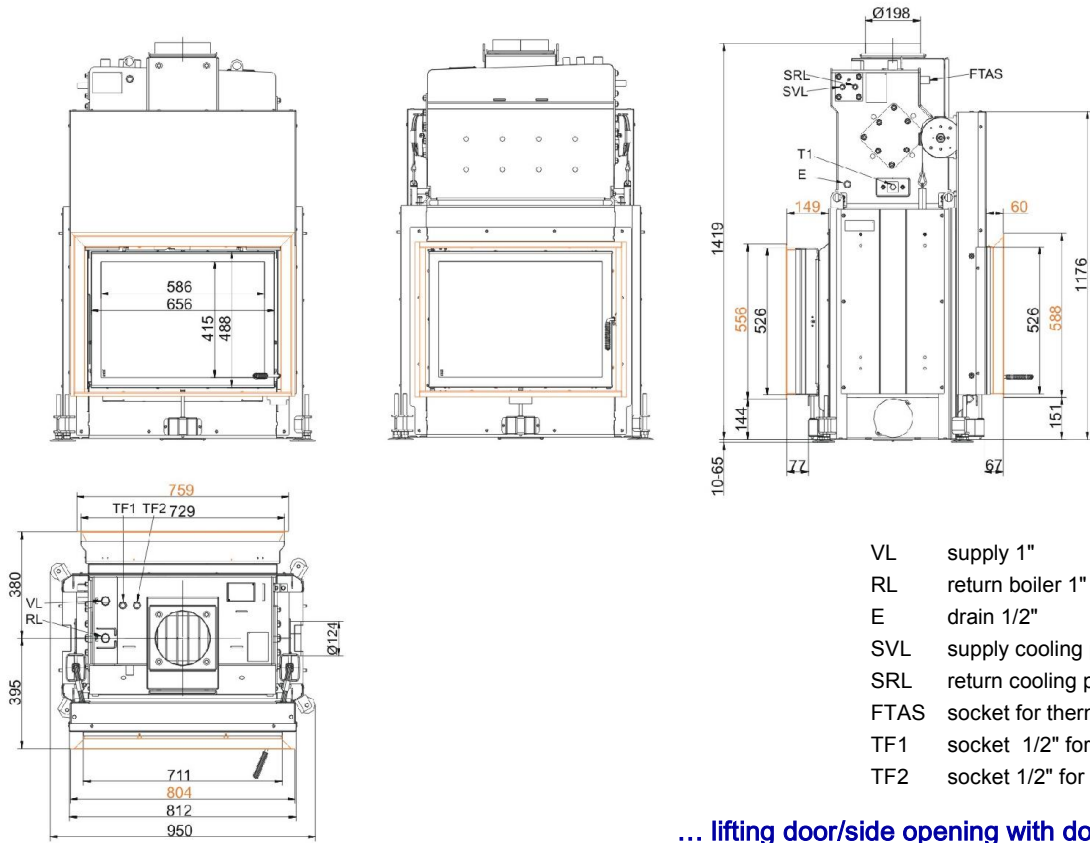
We suggest for CAD planing Palette CAD. Permanent updated drawings: www.brunner.de
 Frames / front versions are marked colored.

Dimension sheet | **Stil-Tunnel 51/67 mit Kesselaufsatz**

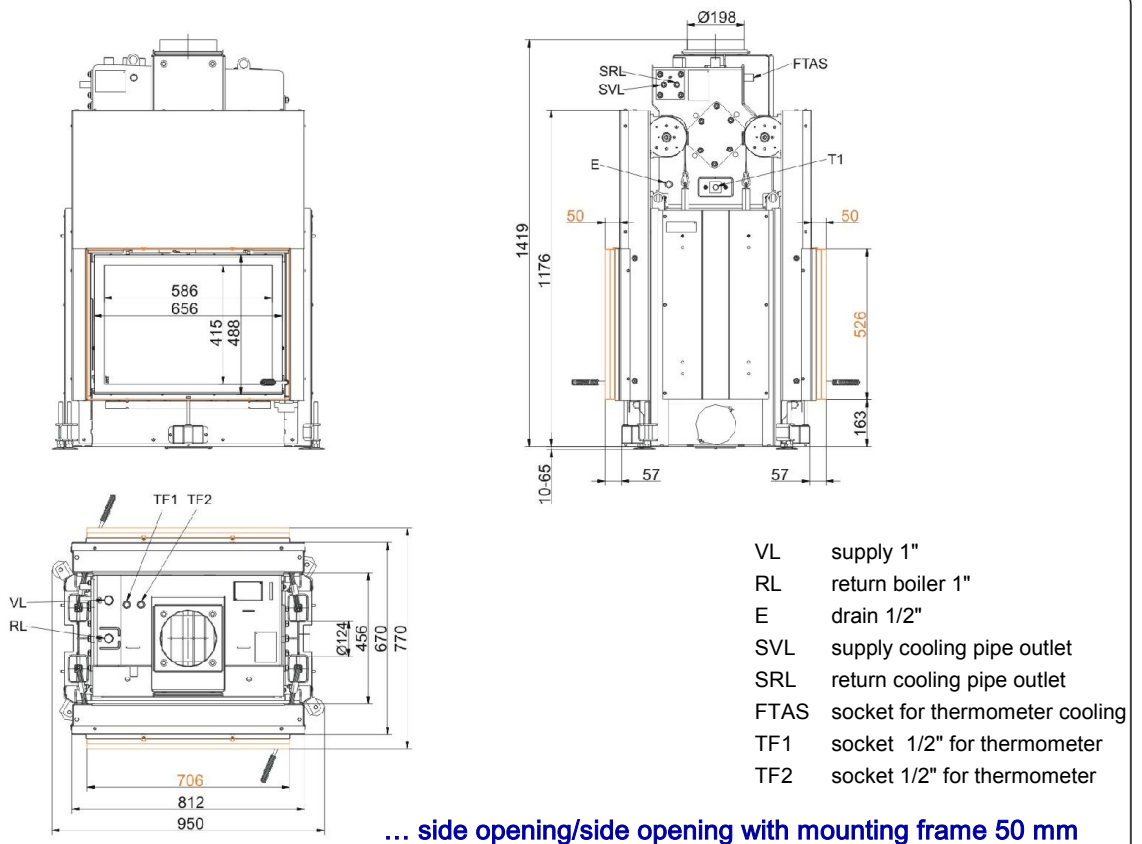


We suggest for CAD planing Palette CAD. Permanent updated drawings: www.brunner.de
 Frames / front versions are marked colored.

Dimension sheet | **Stil-Tunnel 51/67 mit Kesselaufsatz**

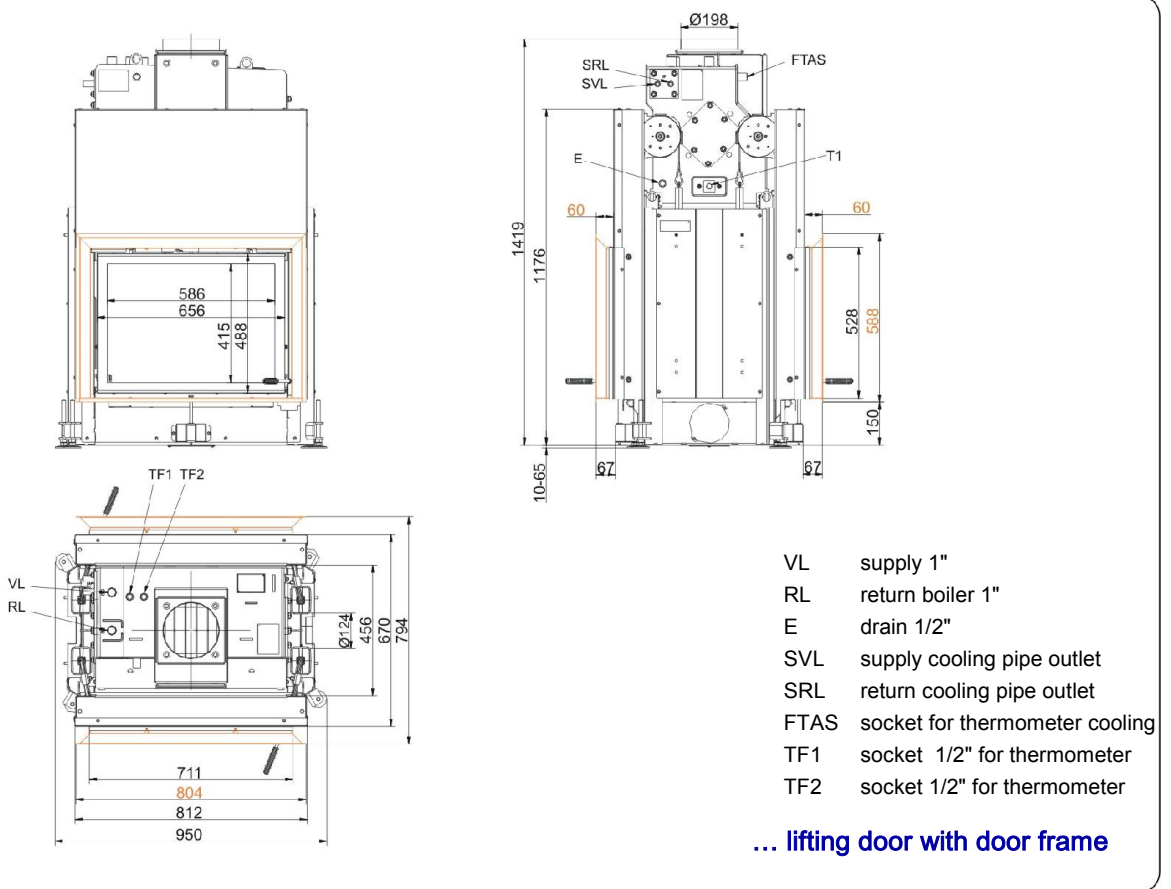
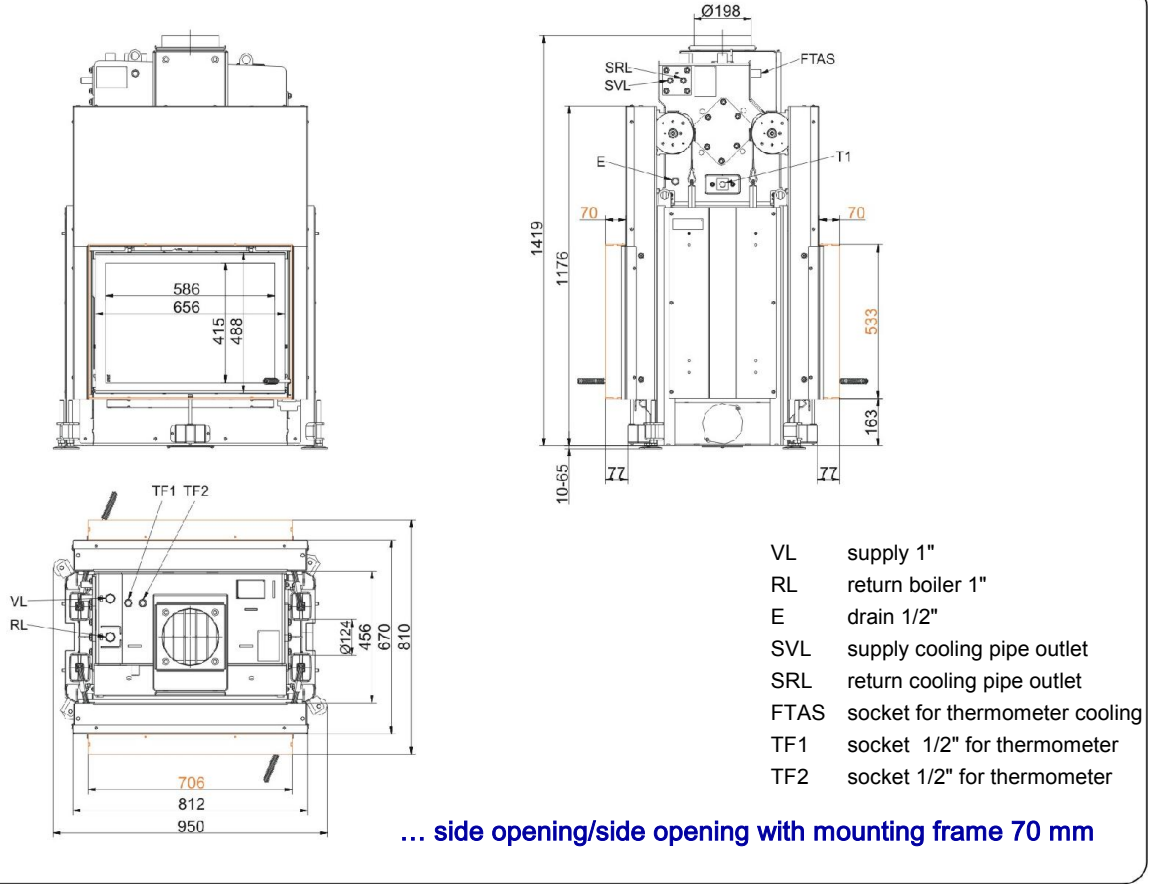


... lifting door/side opening with door frame



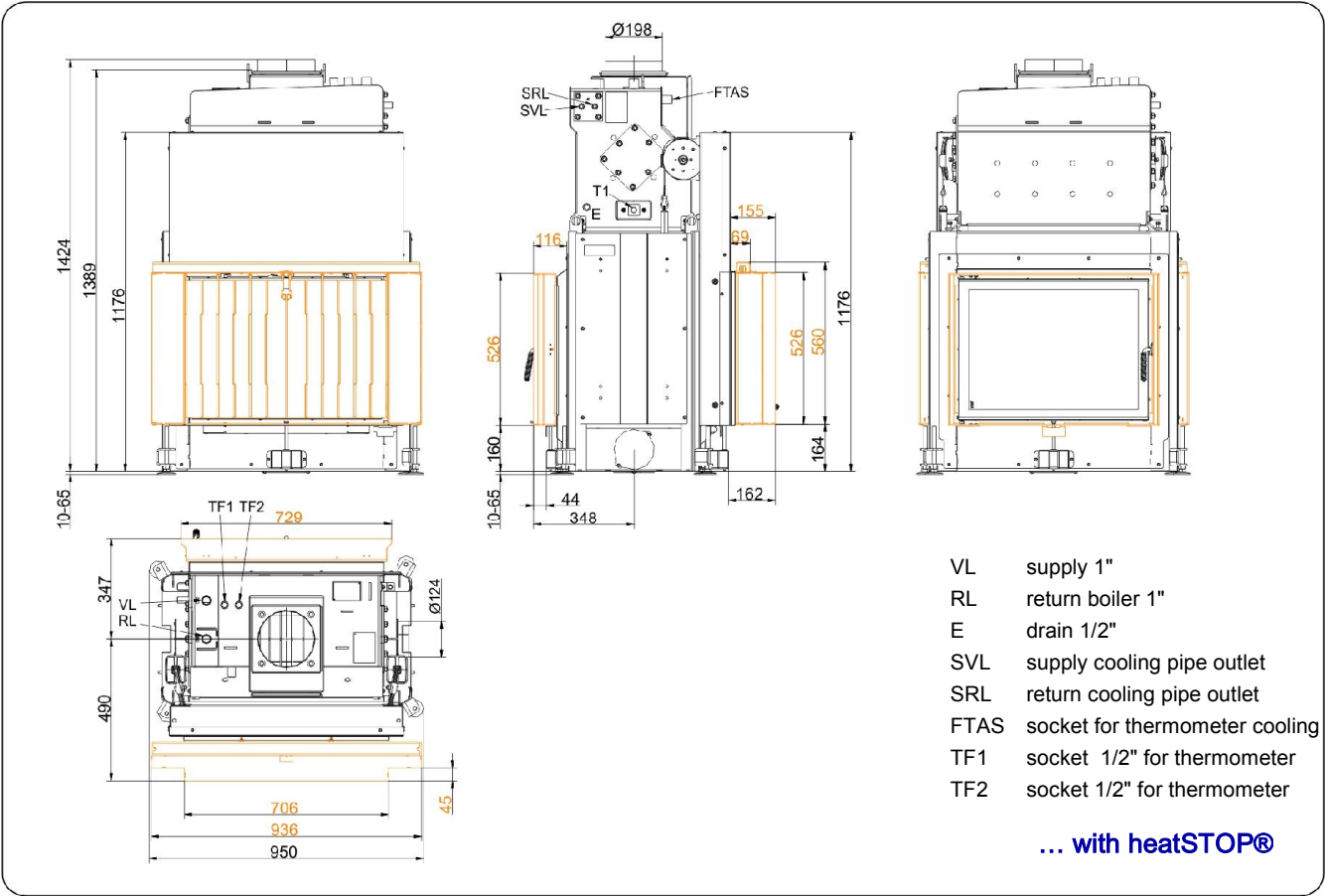
... side opening/side opening with mounting frame 50 mm

Dimension sheet | **Stil-Tunnel 51/67 mit Kesselaufsatz**



We suggest for CAD planing Palette CAD. Permanent updated drawings: www.brunner.de
 Frames / front versions are marked colored.

Dimension sheet | **Stil-Tunnel 51/67 mit Kesselaufsatz**



We suggest for CAD planing Palette CAD. Permanent updated drawings: www.brunner.de
 Frames / front versions are marked colored.

Planning and installation

Stil-Tunnel 51/67 mit Kesselaufsatz

Tested according to Values for mode of operation		EN 13229 W rated load	EN 13229 W practical avg.
Data for functional demonstration			
Rated heat power	kW	13,5	-
Rated heat power	kg/h	3,9	5,1
Combustion performance	kW	15,6	20,5
Flue gas mass flow	g/s	10,9	25
Outlet temperature (before heating surface)	°C	-	-
Flue gas temperature after			
attached steel smoke hood	°C	-	-
adjoining cast iron radiator (GNF10)	°C	-	-
accumulation rings (MAS) ¹⁾	°C	-	-
adjoining ceramic accumulator ²⁾	°C	-	-
accumulation stones (MSS) ²⁾	°C	-	-
Boiler	°C	180	244
Necessary supply pressure	Pa	11	16
Combustion air consumption	m³/h	40	50
Combustion air connection Ø	mm	125	125
Heat distribution			
Insert / heating surface	%	5 - 10 / -	5 - 10 / -
Glass (single / double)	%	50 / 45	50 / 45
Boiler	%	45	45
Vent cross-sections ⁴⁾			
Supply air	cm²	300 / 200 / -	300 / 200 / -
Warm air	cm²	300 / 200 / -	300 / 200 / -
Min. distances of fireplace			
Distance to insulation layer	cm	6	6
Distance to floor	cm	1	1
Heat insulation without / with ³⁾ air gratings			
Wall	cm	10 / 8	10 / 8
Floor	cm	0 / 0	0 / 0
Ceiling	cm	10 / 8	10 / 8
Brick lining of protected walls	cm	10	10
Water boiler data			
Max. operating pressure	bar	3	3
Max. flow temperature	°C	100	100
Water volume	litres	43	43
Connections flow / return	inch	1	1
Weight			
Fireplace + burning chamber	kg	(199 + 118) + 67	

meets requirement limit values for

Germany / Austria / Switzerland / Norway

1.BImSchV (Stufe 2) / 15a BVG (2015) / LRV / -

1) Throttle flap recommended

2) Approximate value. Determination according to design characteristics for adjacent storage mass or proof of function provided

3) Values with air gratings, stove casing is heat conducting

4) for firebox / flue gas pipe / metallic reheating surface

Ulrich Brunner GmbH
Zellhuber Ring 17 -18
D-84307 Eggenfelden
Telefon: +49 / (0)87 21 / 7 71-0
Telefax: +49 / (0)87 21 / 7 71-100
info@brunner.eu | www.brunner.eu



BRUNNER products are offered and sold only by qualified dealers and service centres.
Subject to technical and assortment changes. Errors excepted. (08/16)