



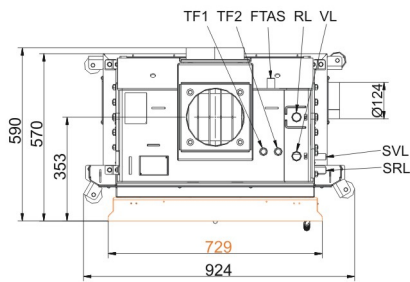
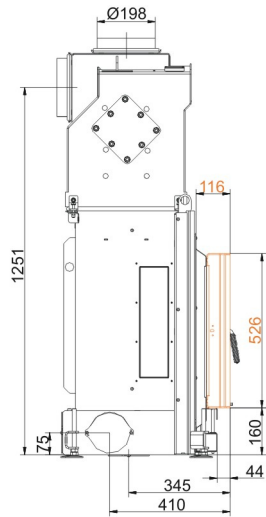
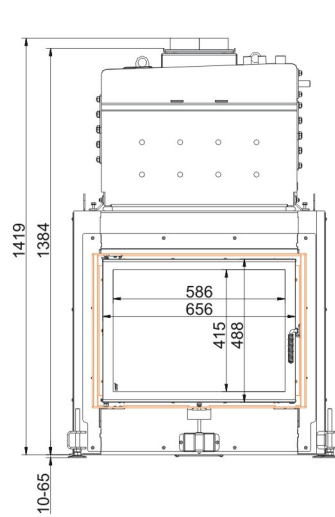
Stil-Kamin 51/67 mit Kesselaufsatz

State: 01.12.2016



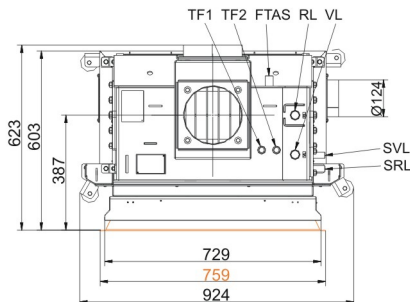
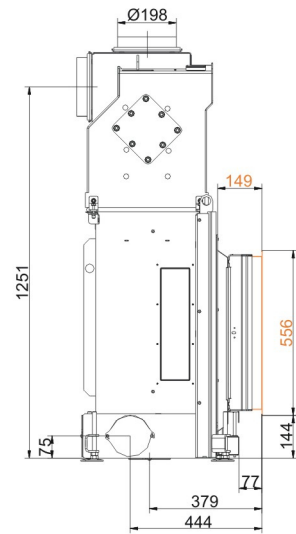
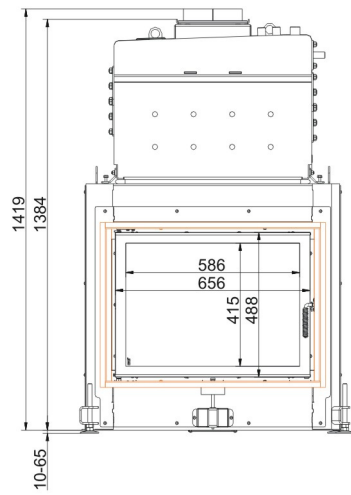
BRUNNER[®]
made in germany

Dimension sheet | **Stil-Kamin 51/67 mit Kesselaufsatz**



- VL supply 1"
- RL return boiler 1"
- E drain 1/2"
- SVL supply cooling pipe outlet
- SRL return cooling pipe outlet
- FTAS socket for thermometer cooling
- TF1 socket 1/2" for thermometer
- TF2 socket 1/2" for thermometer

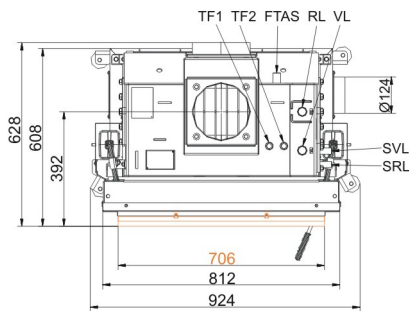
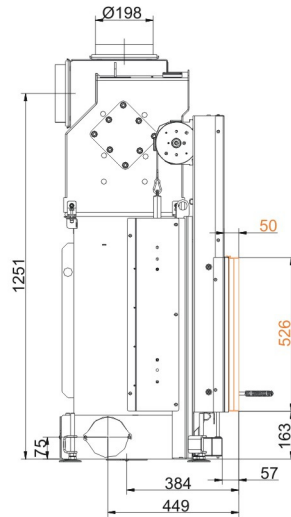
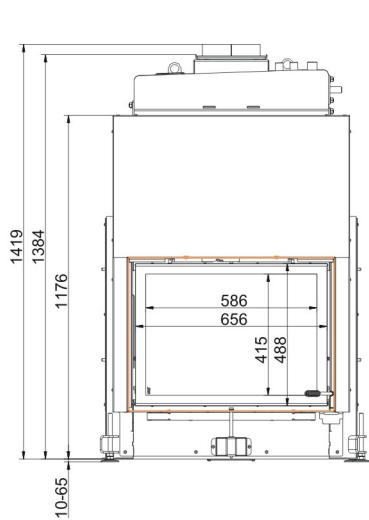
... side opening with mounting frame



- VL supply 1"
- RL return boiler 1"
- E drain 1/2"
- SVL supply cooling pipe outlet
- SRL return cooling pipe outlet
- FTAS socket for thermometer cooling
- TF1 socket 1/2" for thermometer
- TF2 socket 1/2" for thermometer

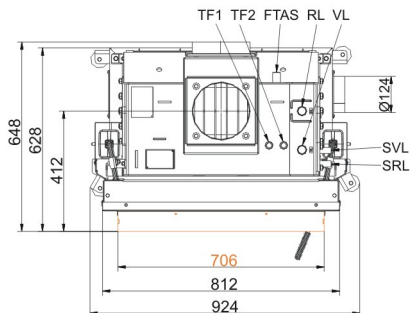
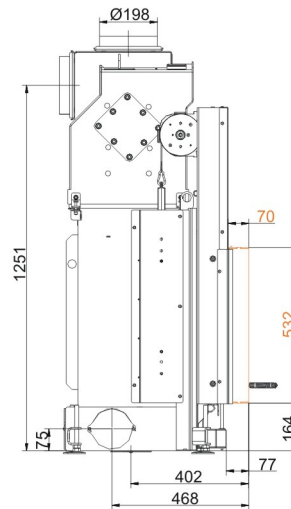
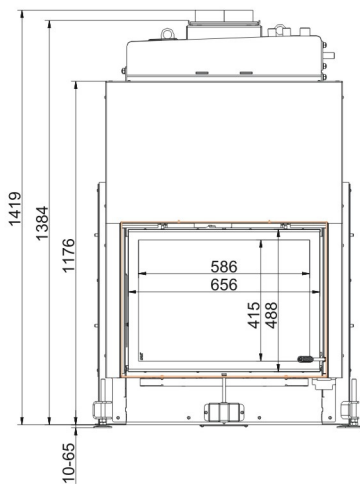
... side opening with door frame

Dimension sheet | **Stil-Kamin 51/67 mit Kesselaufsatz**



- VL supply 1"
- RL return boiler 1"
- E drain 1/2"
- SVL supply cooling pipe outlet
- SRL return cooling pipe outlet
- FTAS socket for thermometer cooling
- TF1 socket 1/2" for thermometer
- TF2 socket 1/2" for thermometer

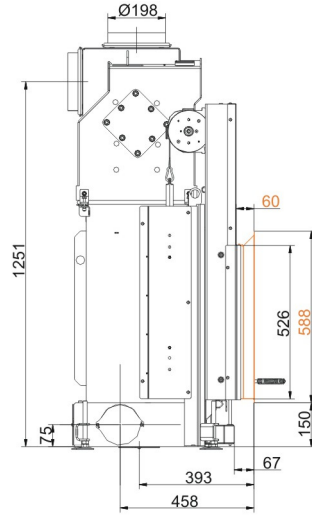
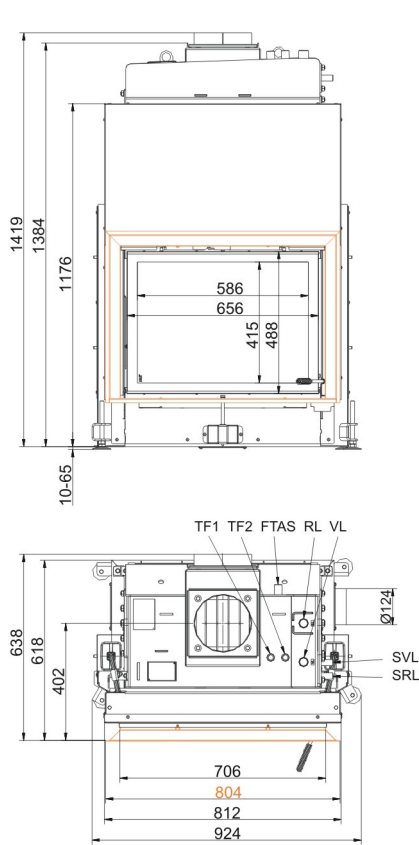
... lifting door with mounting frame 50 mm



- VL supply 1"
- RL return boiler 1"
- E drain 1/2"
- SVL supply cooling pipe outlet
- SRL return cooling pipe outlet
- FTAS socket for thermometer cooling
- TF1 socket 1/2" for thermometer
- TF2 socket 1/2" for thermometer

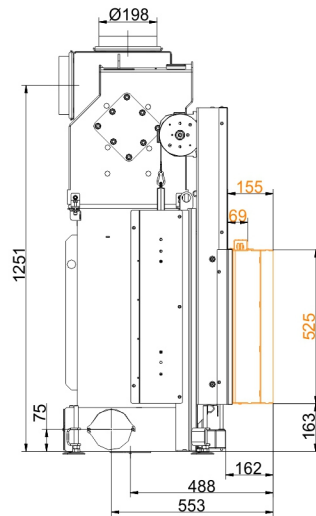
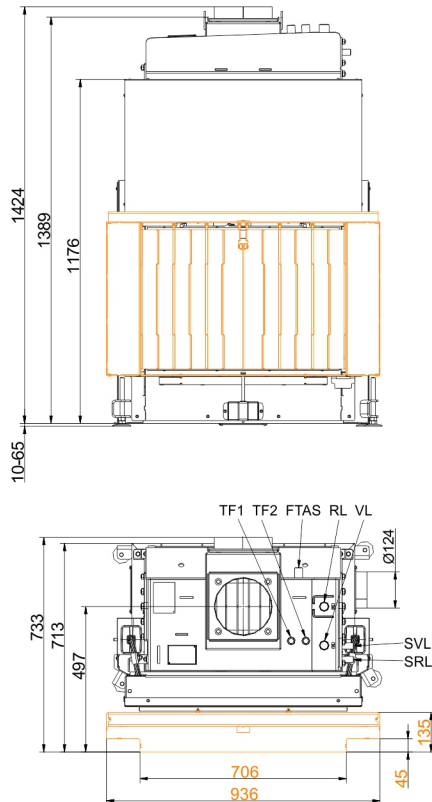
... lifting door with mounting frame 70 mm

Dimension sheet | **Stil-Kamin 51/67 mit Kesselaufsatz**



- VL supply 1"
- RL return boiler 1"
- E drain 1/2"
- SVL supply cooling pipe outlet
- SRL return cooling pipe outlet
- FTAS socket for thermometer cooling
- TF1 socket 1/2" for thermometer
- TF2 socket 1/2" for thermometer

... lifting door with door frame



- VL supply 1"
- RL return boiler 1"
- E drain 1/2"
- SVL supply cooling pipe outlet
- SRL return cooling pipe outlet
- FTAS socket for thermometer cooling
- TF1 socket 1/2" for thermometer
- TF2 socket 1/2" for thermometer

... with heatSTOP®

Planning and installation

Stil-Kamin 51/67 mit Kesselaufsatz

Tested according to Values for mode of operation		EN 13229 W rated load	EN 13229 W practical avg.
Data for functional demonstration			
Rated heat power	kW	13,5	-
Rated heat power	kg/h	3,9	5,1
Combustion performance	kW	15,6	20,5
Flue gas mass flow	g/s	10,9	25
Outlet temperature (before heating surface)	°C	-	-
Flue gas temperature after			
attached steel smoke hood	°C	-	-
adjoining cast iron radiator (GNF10)	°C	-	-
accumulation rings (MAS) ¹⁾	°C	-	-
adjoining ceramic accumulator ²⁾	°C	-	-
accumulation stones (MSS) ²⁾	°C	-	-
Boiler	°C	180	244
Necessary supply pressure	Pa	11	16
Combustion air consumption	m ³ /h	40	50
Combustion air connection Ø	mm	125	125
Heat distribution			
Insert / heating surface	%	15 - 20 / -	15 - 20 / -
Glass (single / double)	%	40 / 35	40 / 35
Boiler	%	45	45
Vent cross-sections ⁴⁾			
Supply air	cm ²	300 / 200 / -	300 / 200 / -
Warm air	cm ²	300 / 200 / -	300 / 200 / -
Min. distances of fireplace			
Distance to insulation layer	cm	6	6
Distance to floor	cm	1	1
Heat insulation without / with ³⁾ air gratings			
Wall	cm	10 / 8	10 / 8
Floor	cm	0 / 0	0 / 0
Ceiling	cm	10 / 8	10 / 8
Brick lining of protected walls	cm	10	10
Water boiler data			
Max. operating pressure	bar	3	3
Max. flow temperature	°C	100	100
Water volume	litres	43	43
Connections flow / return	inch	1	1
Weight			
Fireplace + burning chamber ⁵⁾	kg	(123 + 118) + 79	

meets requirement limit values for

Germany / Austria / Switzerland / Norway

1.BImSchV (Stufe 2) / 15a BVG (2015) / LRV / -

1) Throttle flap recommended

2) Approximate value. Determination according to design characteristics for adjacent storage mass or proof of function provided

3) Values with air gratings, stove casing is heat conducting

4) for firebox / flue gas pipe / metallic reheating surface

5) heater = body + mounted exchanger

Ulrich Brunner GmbH
Zellhuber Ring 17 -18
D-84307 Eggenfelden
Telefon: +49 / (0)87 21 / 7 71-0
Telefax: +49 / (0)87 21 / 7 71-100
info@brunner.eu | www.brunner.eu

BRUNNER®