

## OPEN FIREPLACES FROM BRUNNER



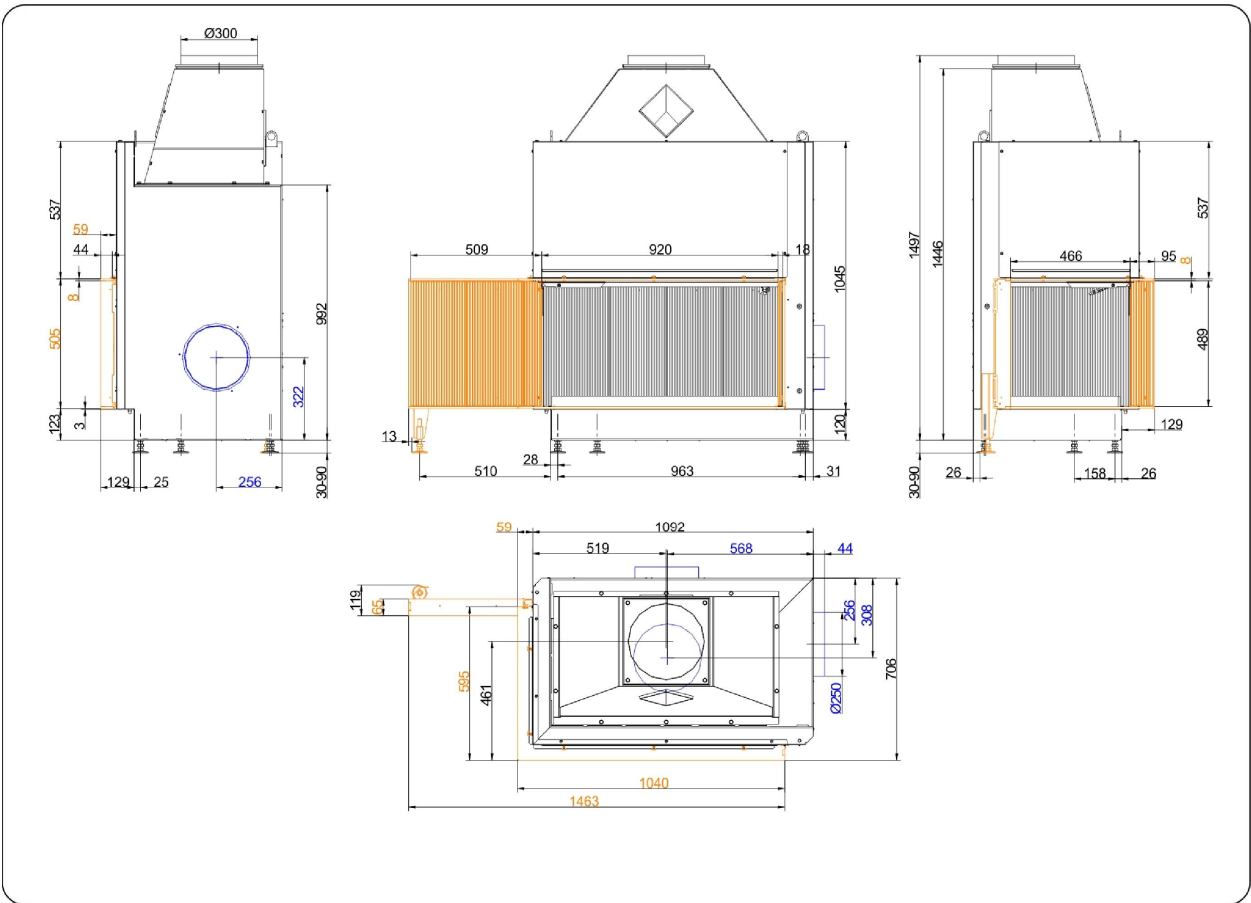
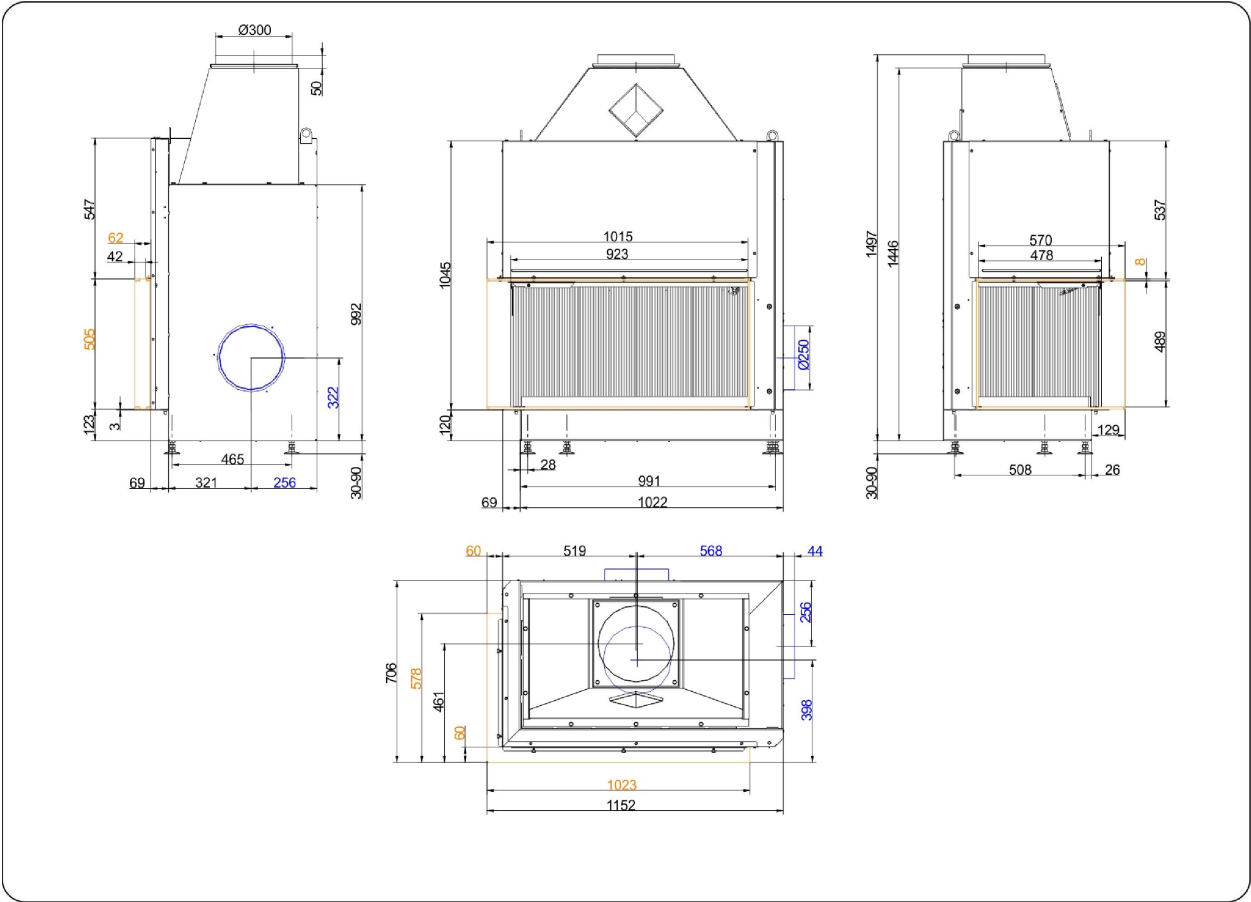
# Urfeuer® Eck 50/88/44

State: 19.09.2016



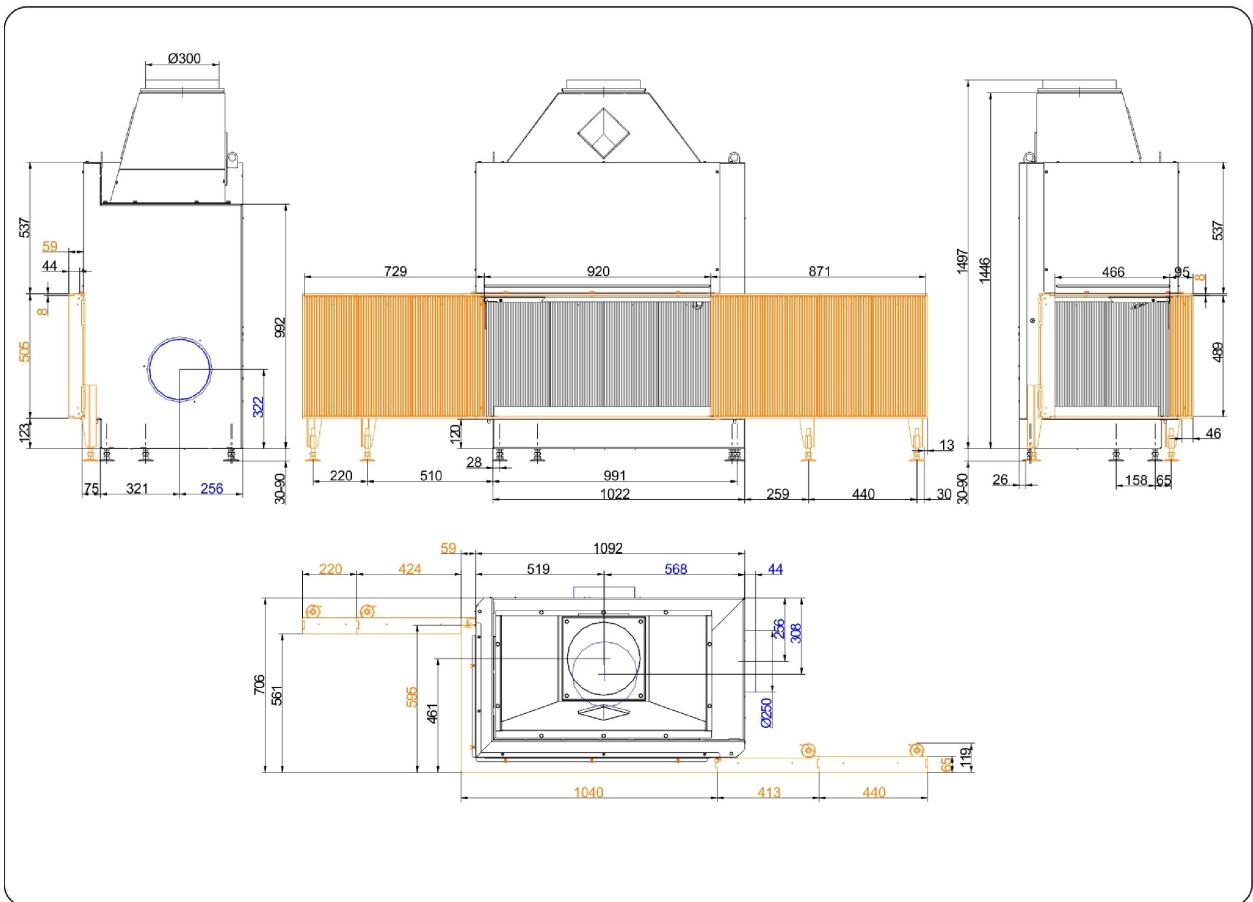
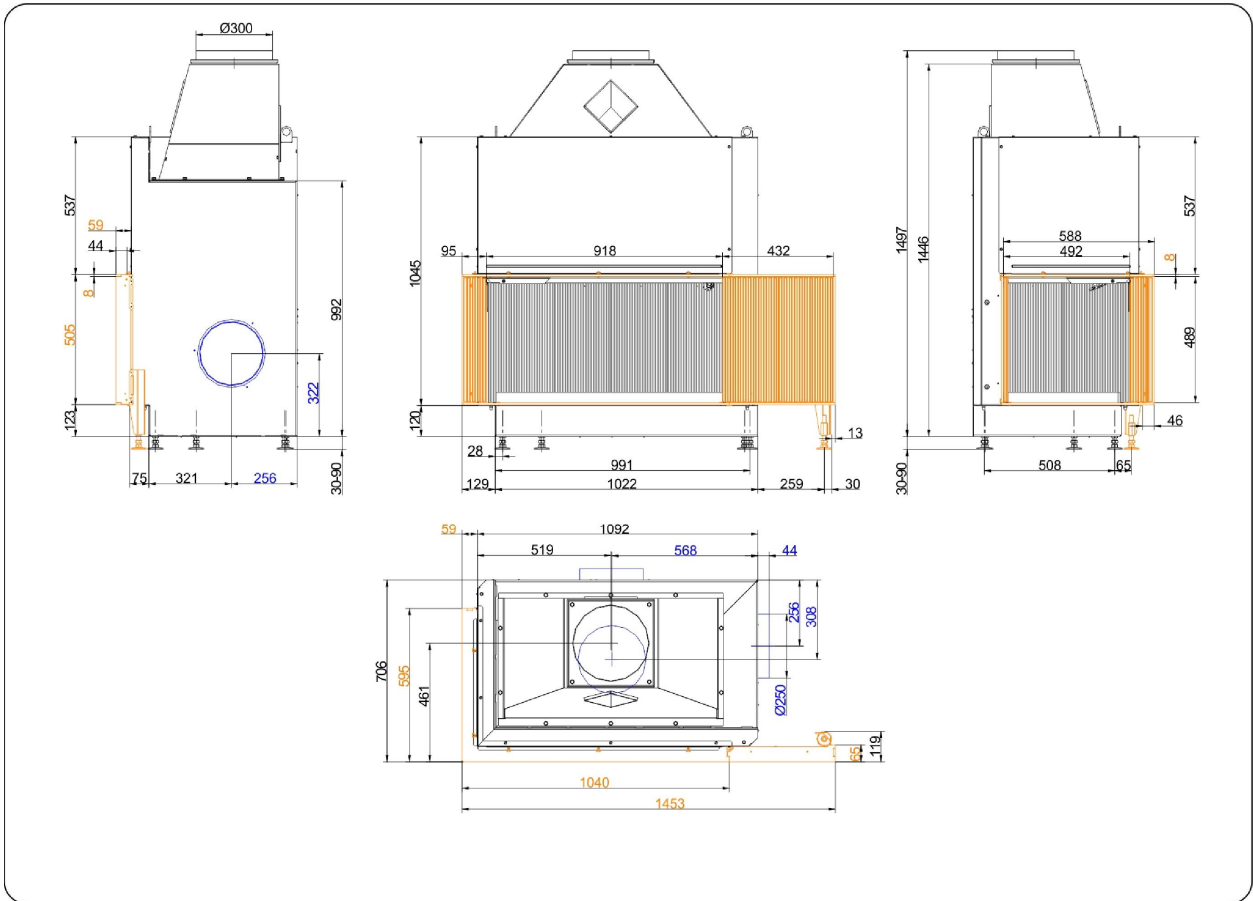
**BRUNNER**<sup>®</sup>  
*made in germany.*

Dimension sheet | **Urfeuer® Eck 50/88/44**

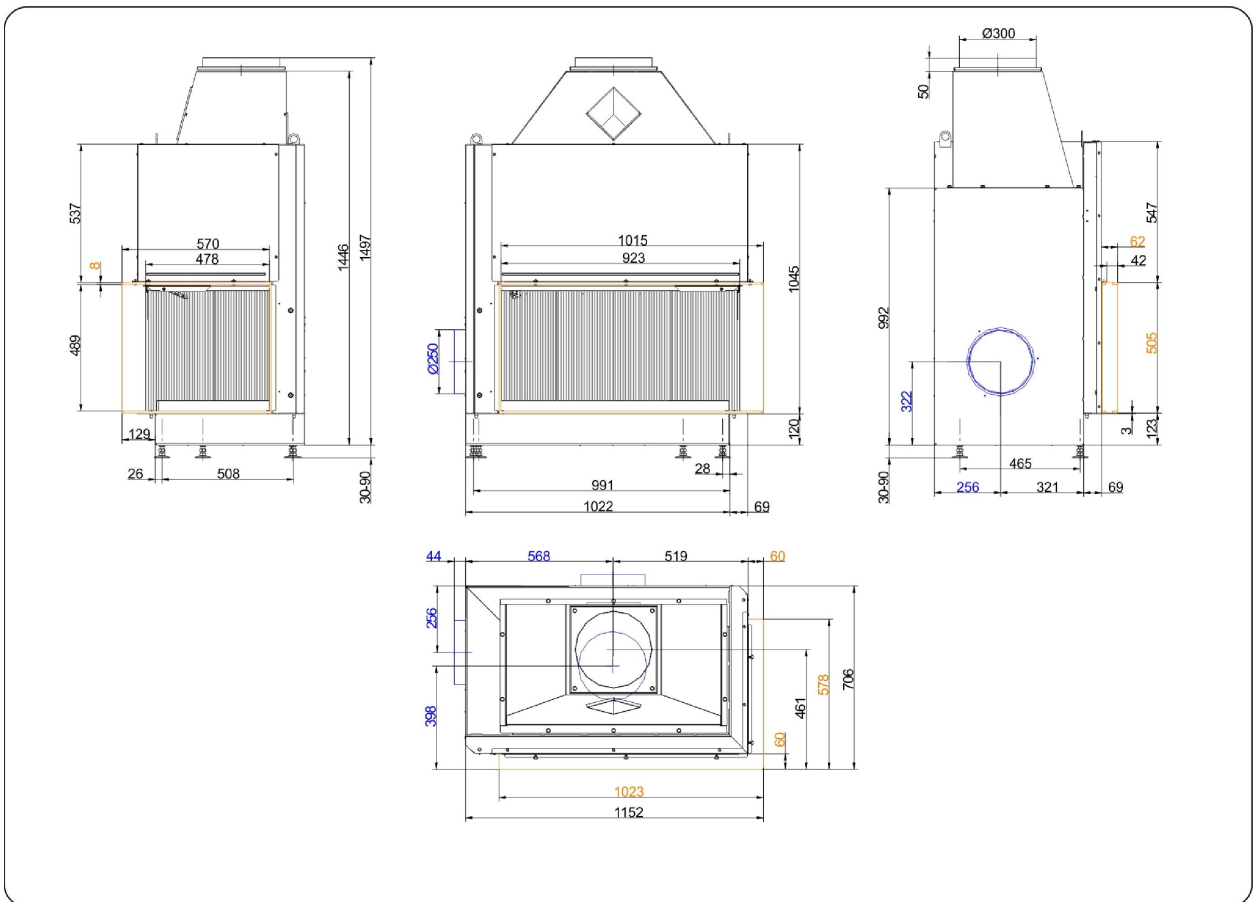
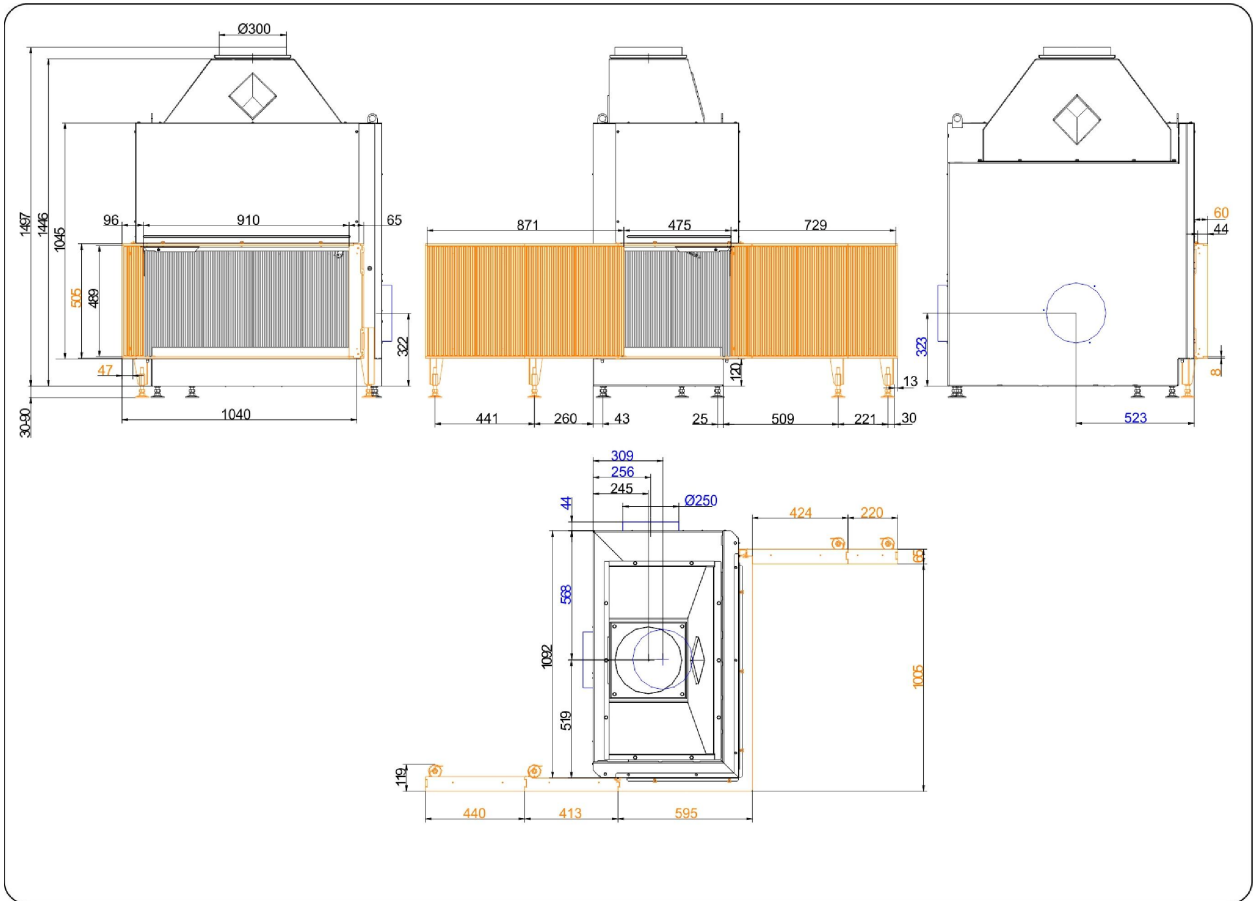


We suggest for CAD planing Palette CAD. Permanent updated drawings: [www.brunner.de](http://www.brunner.de)  
 Frames / front versions are marked colored.

Dimension sheet | **Urfeuer® Eck 50/88/44**

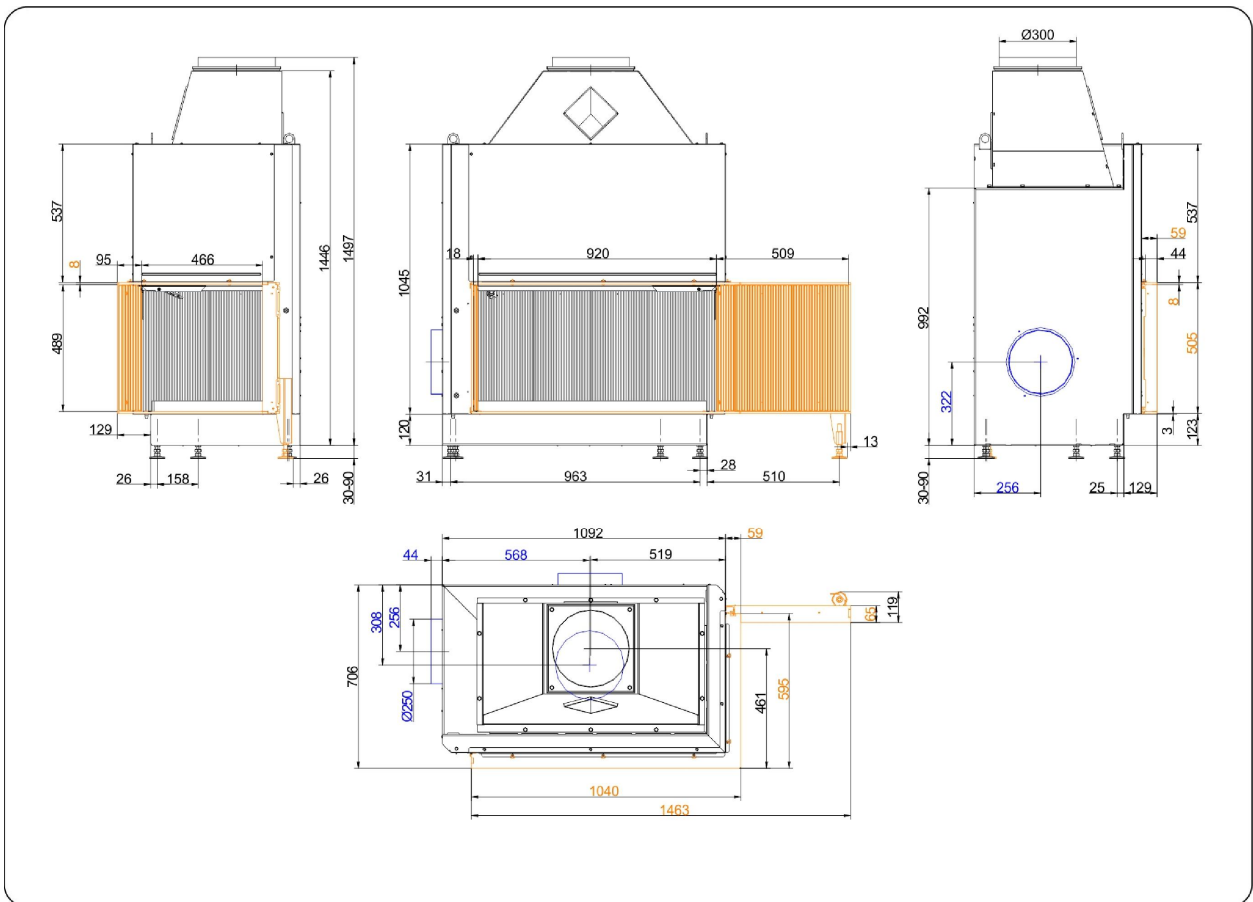
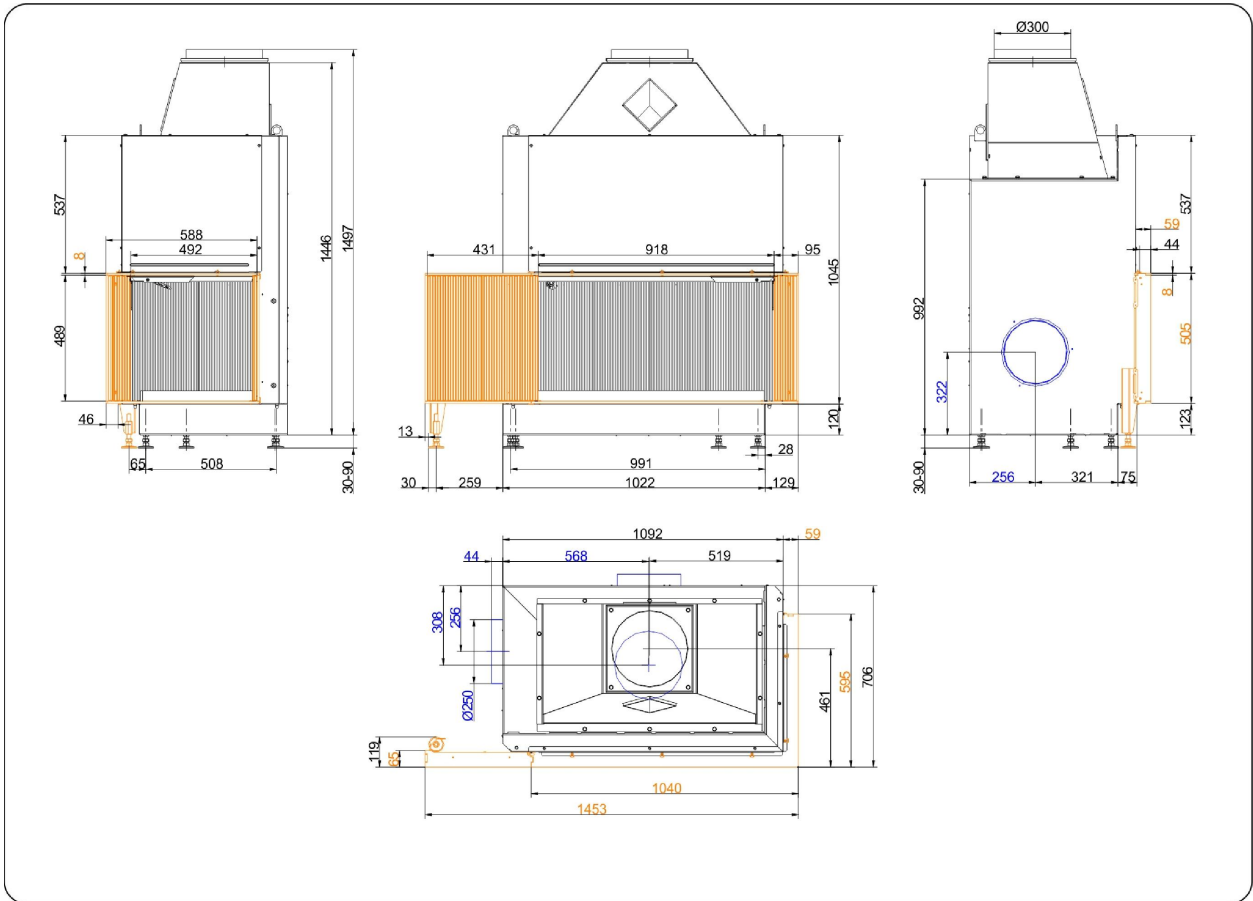


Dimension sheet | **Urfeuer® Eck 50/88/44**



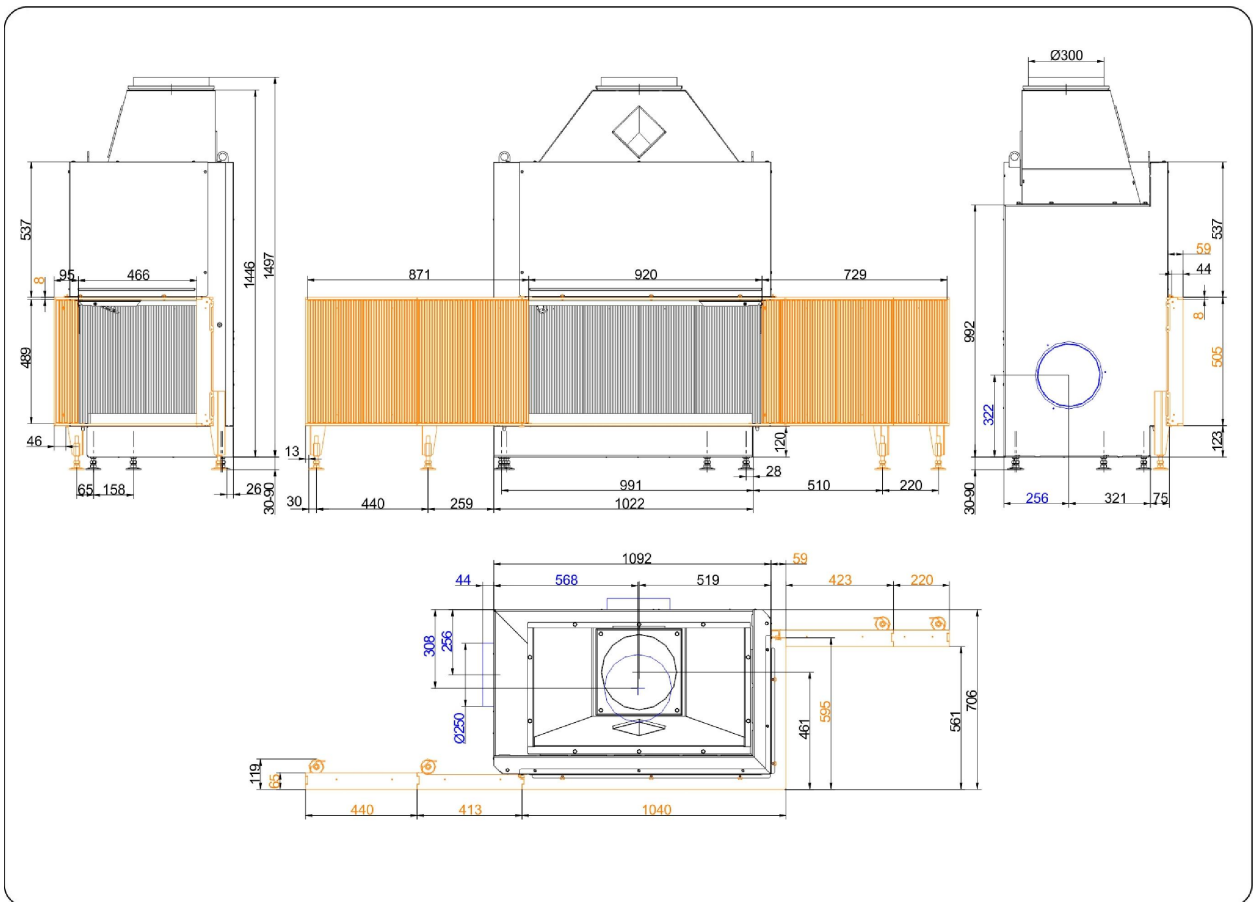
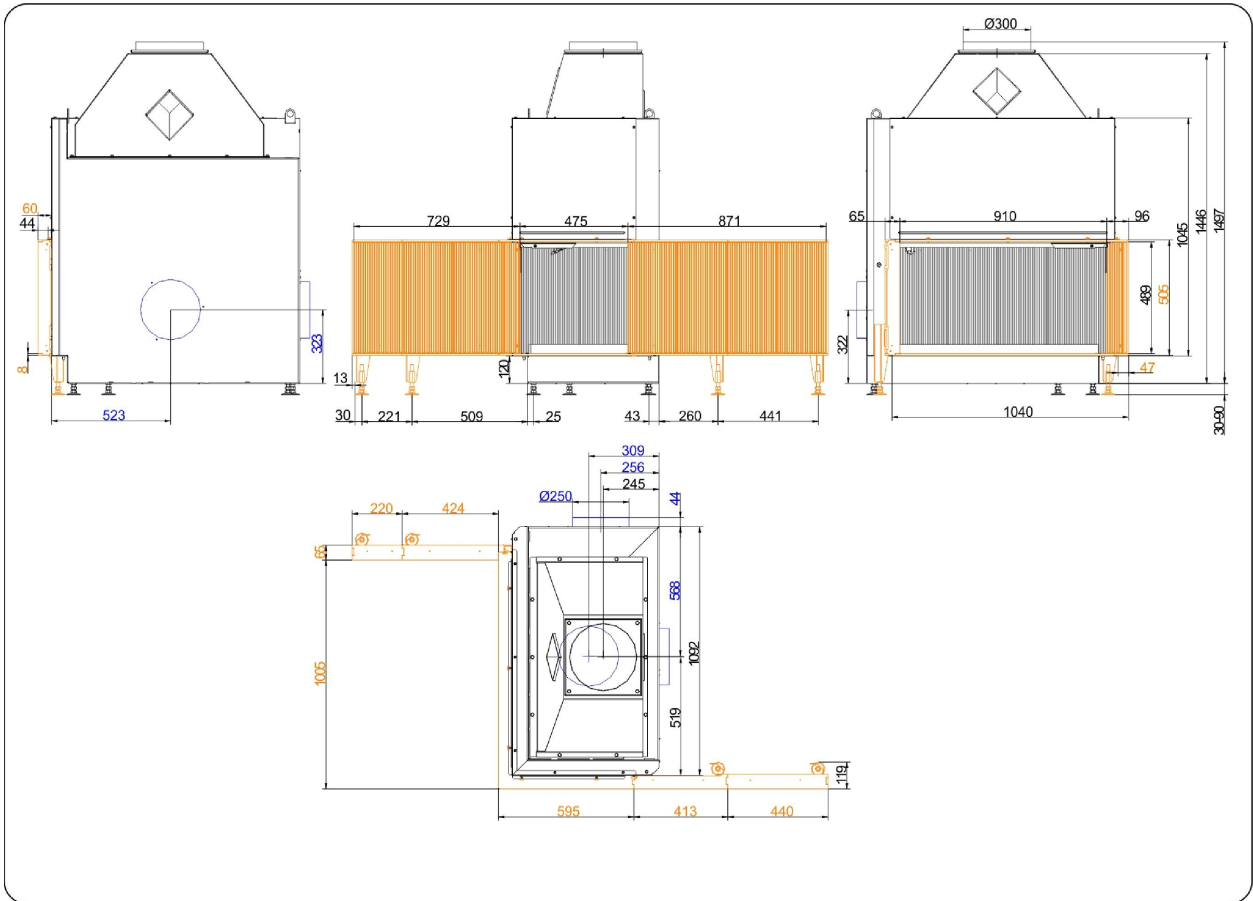
We suggest for CAD planing Palette CAD. Permanent updated drawings: [www.brunner.de](http://www.brunner.de)  
 Frames / front versions are marked colored.

Dimension sheet | **Urfeuer® Eck 50/88/44**



We suggest for CAD planing Palette CAD. Permanent updated drawings: [www.brunner.de](http://www.brunner.de)  
 Frames / front versions are marked colored.

Dimension sheet | **Urfeuer® Eck 50/88/44**



We suggest for CAD planing Palette CAD. Permanent updated drawings: [www.brunner.de](http://www.brunner.de)  
 Frames / front versions are marked colored.

# Planning and installation

## Urfeuer® Eck 50/88/44

Tested according to

EN 13229 W

### Data for functional demonstration

Fuel amount	kg	2 - 5
Flue gas mass flow	g/s	95
Temperature on smoke outlet	°C	95
Necessary supply pressure	Pa	6
Combustion air consumption	m³/h	309
Combustion air connection Ø	mm	250

### Vent cross-section

Supply air	cm²	6
Warm air	cm²	2,5

### Min. distances of fireplace

to insulation layer	cm	10
to floor	cm	14

### Thermal insulation

Adjacent wall	cm	10
Floor	cm	241 + 111
Ceiling	cm	
Brick lining of protected walls	cm	

### Weight

Fireplace + burning chamber	kg	
-----------------------------	----	--

Ulrich Brunner GmbH  
Zellhuber Ring 17 -18  
D-84307 Eggenfelden  
Telefon: +49 / (0)87 21 / 7 71-0  
Telefax: +49 / (0)87 21 / 7 71-100  
info@brunner.eu | www.brunner.eu

The logo for Brunner, featuring the word "BRUNNER" in a bold, stylized font with horizontal lines through the letters, and a registered trademark symbol (®) to the upper right.

BRUNNER products are offered and sold only by qualified dealers and service centres.  
Subject to technical and assortment changes. Errors excepted. (09/16)