

OPEN FIREPLACES FROM BRUNNER



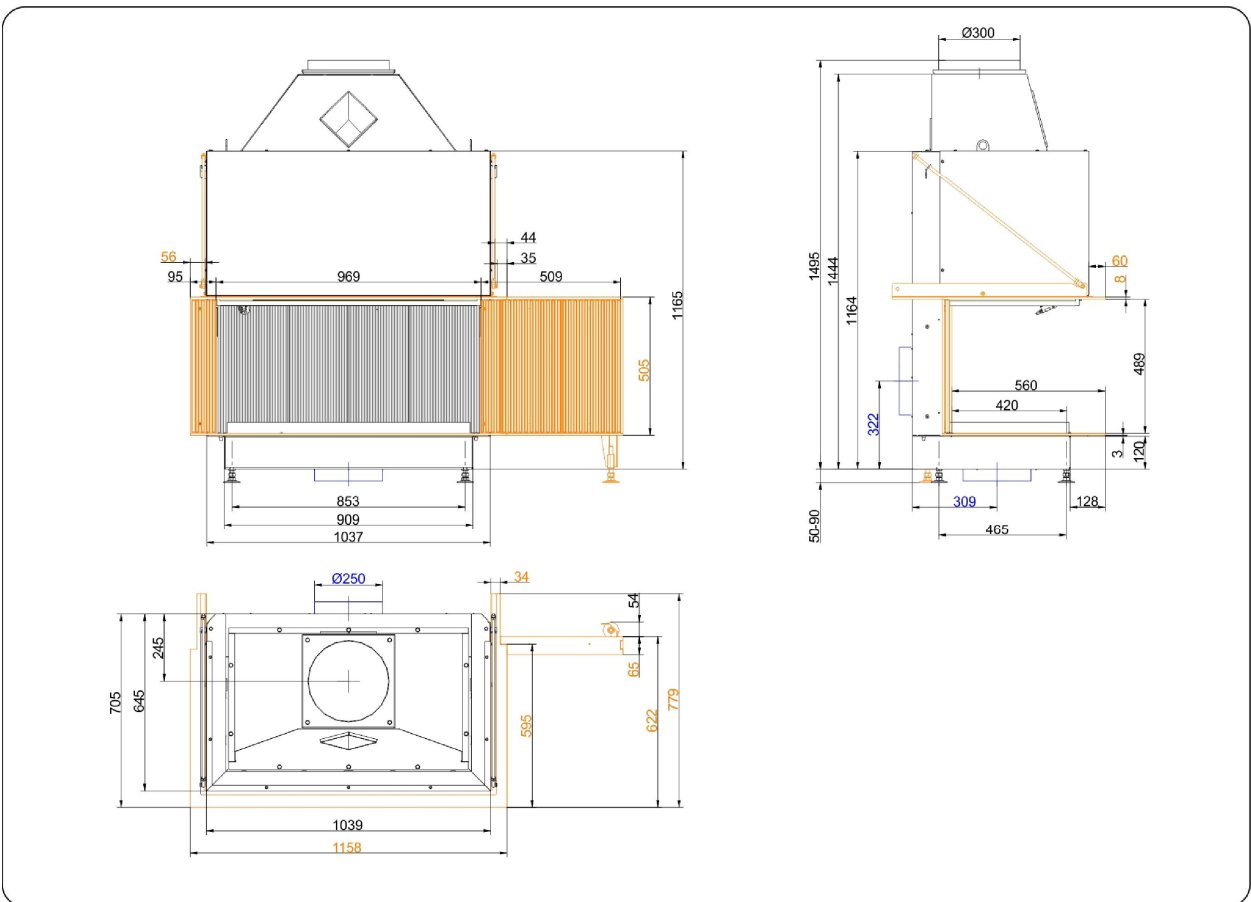
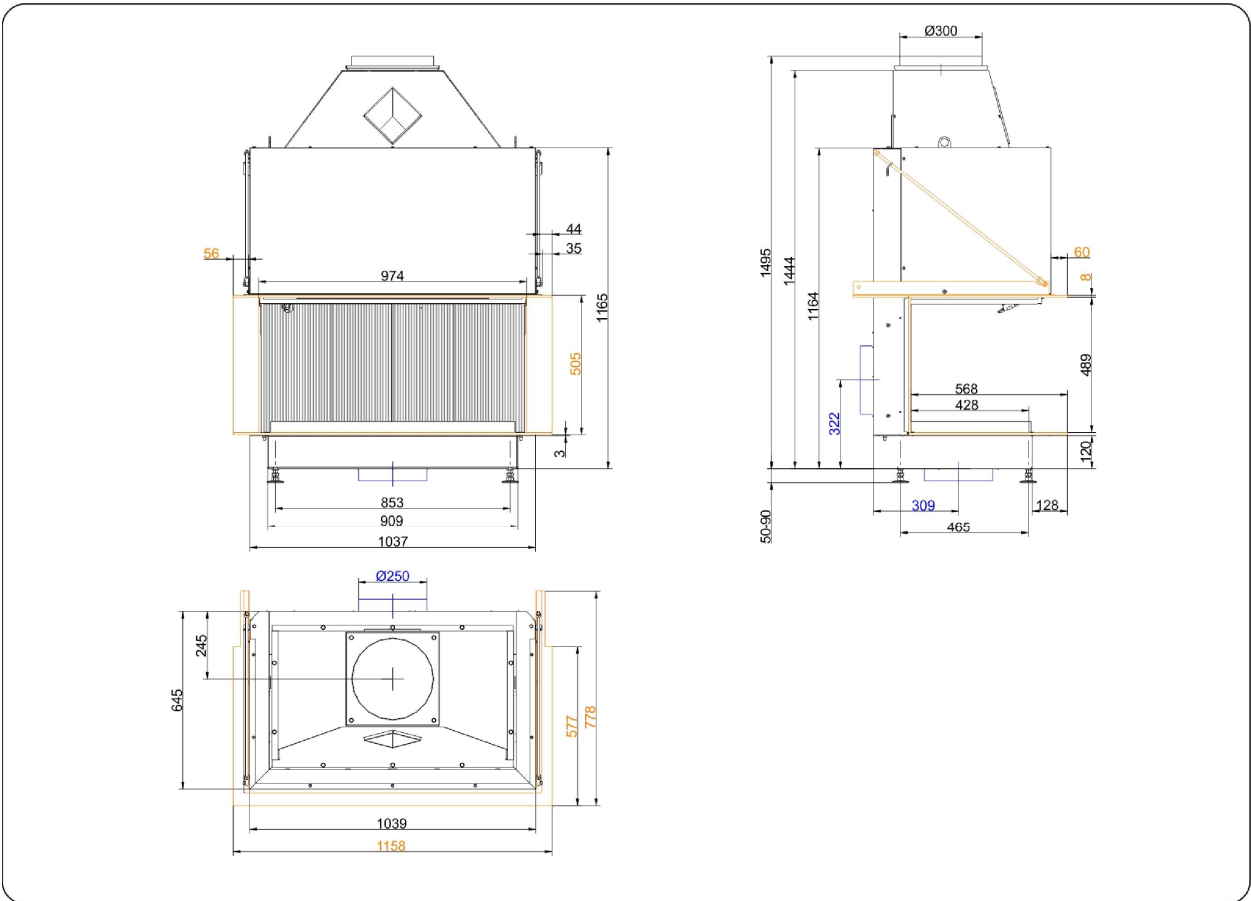
Urfeuer® Panorama 50/44/88/

State: 19.09.2016



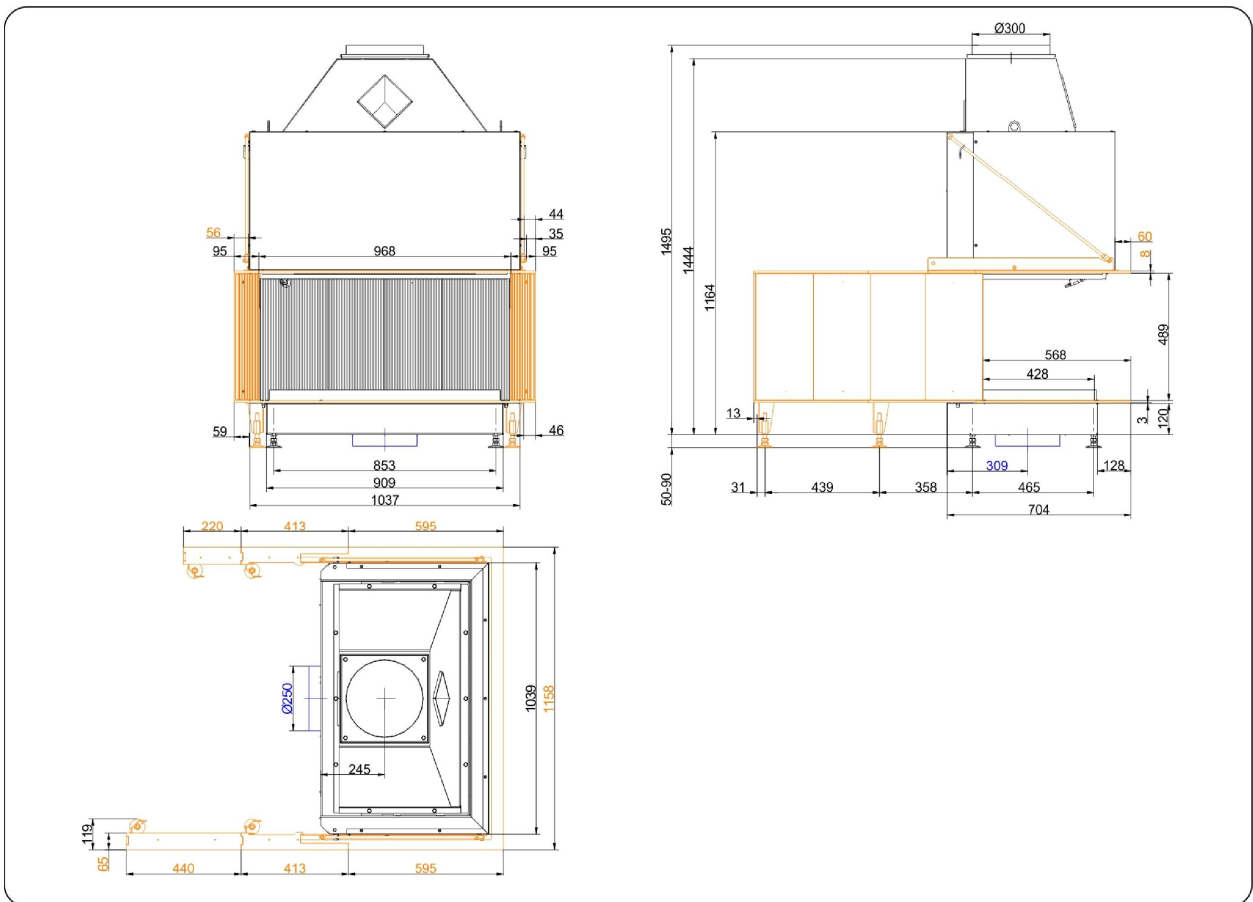
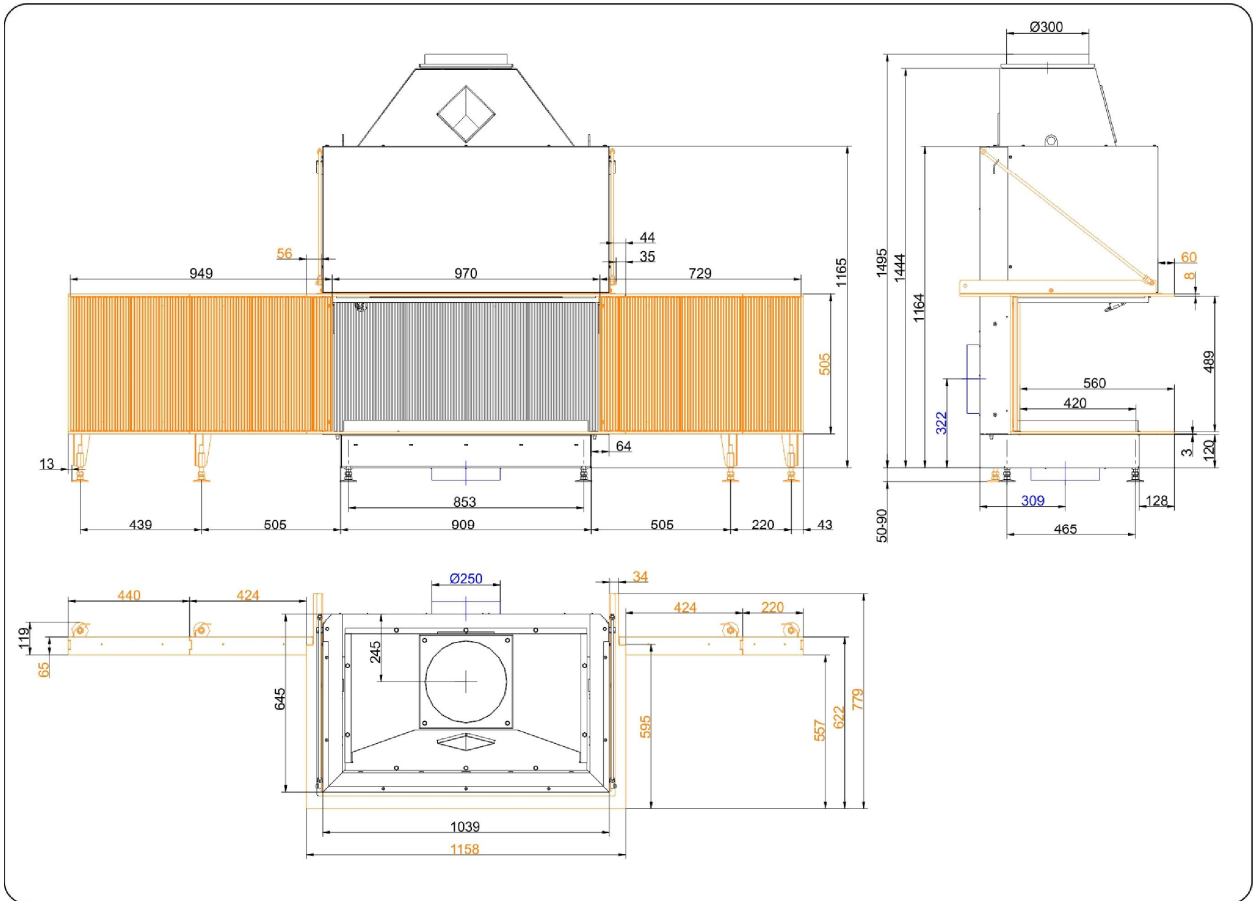
BRUNNER[®]
made in germany.

Dimension sheet | **Urfeuer® Panorama 50/44/88/44**



We suggest for CAD planing Palette CAD. Permanent updated drawings: www.brunner.de
 Frames / front versions are marked colored.

Dimension sheet | **Urfeuer® Panorama 50/44/88/44**



We suggest for CAD planing Palette CAD. Permanent updated drawings: www.brunner.de
 Frames / front versions are marked colored.

Planning and installation

Urfeuer® Panorama 50/44/88/44

Tested according to

EN 13229 W

Data for functional demonstration

Fuel amount	kg	2 - 5
Flue gas mass flow	g/s	85
Temperature on smoke outlet	°C	85
Necessary supply pressure	Pa	6
Combustion air consumption	m³/h	318
Combustion air connection Ø	mm	250

Vent cross-section

Supply air	cm²	6
Warm air	cm²	2,5

Min. distances of fireplace

to insulation layer	cm	10
to floor	cm	14

Thermal insulation

Adjacent wall	cm	10
Floor	cm	212 + 90
Ceiling	cm	
Brick lining of protected walls	cm	

Weight

Fireplace + burning chamber	kg	
-----------------------------	----	--

Ulrich Brunner GmbH
Zellhuber Ring 17 -18
D-84307 Eggenfelden
Telefon: +49 / (0)87 21 / 7 71-0
Telefax: +49 / (0)87 21 / 7 71-100
info@brunner.eu | www.brunner.eu

BRUNNER®