

BRUNNER ACCUMULATION STOVE DOORS



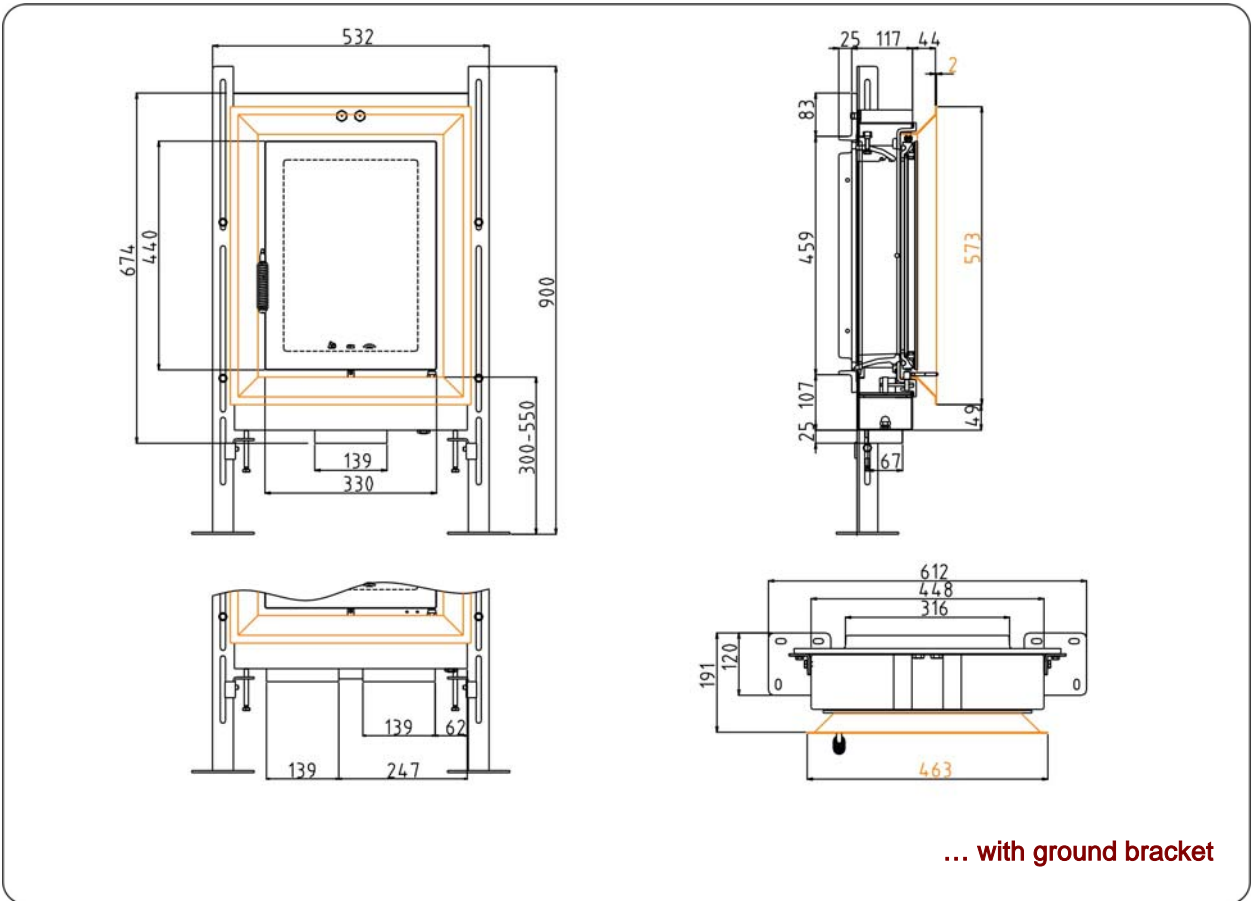
GOT 5.1/12

State: 30.08.2012



BRUNNER[®]
made in germany

Dimension sheet | **GOT 5.1/12**



Planning and installation

GOT 5.1/12

appropriate to fill quantity up to	kg	12
loss of pressure	Pa	3
max. free cross-section of the combustion air opening	cm ²	95
Combustion air connection	mm	125
		53

Ulrich Brunner GmbH
Zellhuber Ring 17 -18
D-84307 Eggenfelden
Phone: +49 / (0)87 21 / 7 71-0
Fax: +49 / (0)87 21 / 7 71-100
info@brunner.de | www.brunner.de

BRUNNER[®]

BRUNNER products are offered and sold only by qualified dealers and service centres.
Subject to technical and assortment changes. Errors excepted. (08/12)