



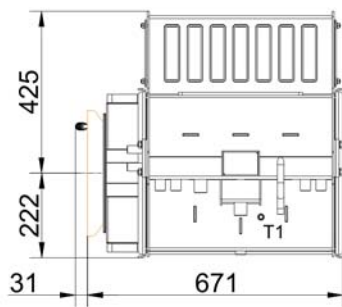
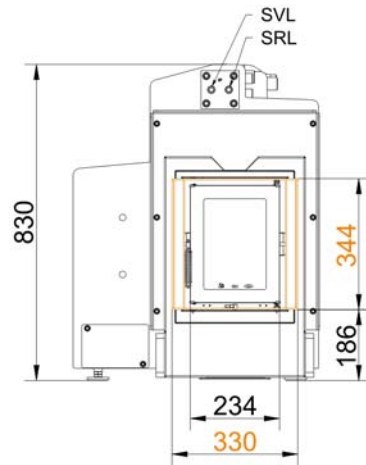
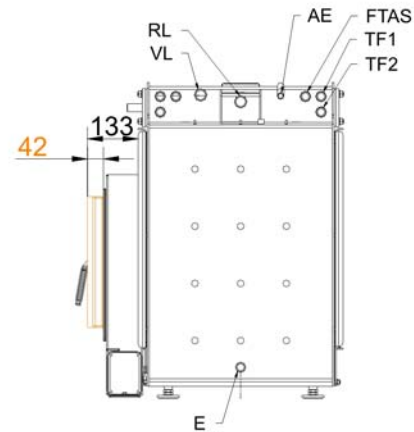
Herd-Kessel

State: 30.08.2012

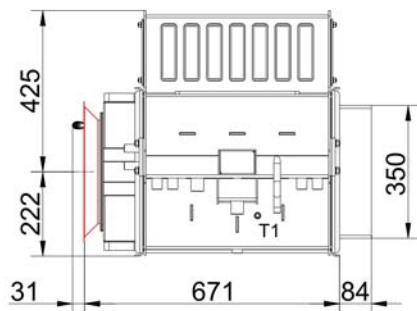
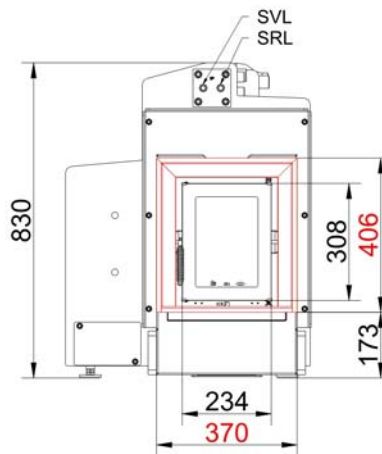
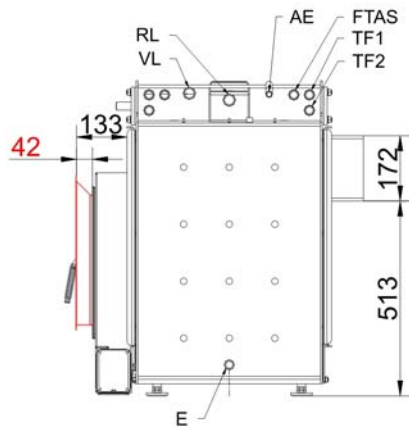


BRUNNER[®]
made in germany

Dimension sheet | **Herd-Kessel**



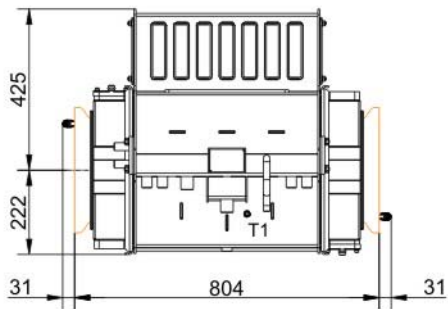
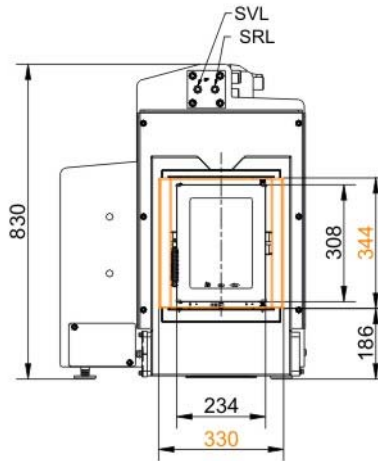
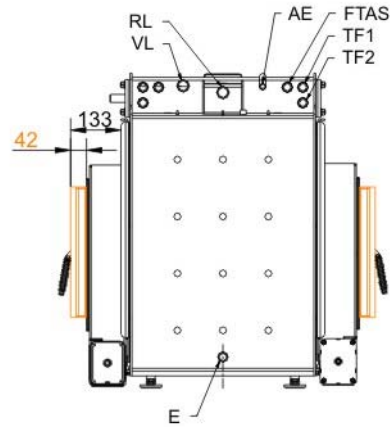
- VL supply 1"
- RL return boiler 1"
- E drain 1/2"
- SVL supply cooling pipe outlet
- SRL return cooling pipe outlet
- FTAS socket for thermometer cooling
- TF1 socket 1/2" for thermometer
- TF2 socket 1/2" for thermometer
- AE socket 3/8" for vent



- VL supply 1"
- RL return boiler 1"
- E drain 1/2"
- SVL supply cooling pipe outlet
- SRL return cooling pipe outlet
- FTAS socket for thermometer cooling
- TF1 socket 1/2" for thermometer
- TF2 socket 1/2" for thermometer
- AE socket 3/8" for vent

... with additional charge for DHT fire door

Dimension sheet | **Herd-Kessel**



- VL supply 1"
- RL return boiler 1"
- E drain 1/2"
- SVL supply cooling pipe outlet
- SRL return cooling pipe outlet
- FTAS socket for thermometer cooling
- TF1 socket 1/2" for thermometer
- TF2 socket 1/2" for thermometer
- AE socket 3/8" for vent

... tunnel

Planning and installation

Herd-Kessel

Tested according to

EN 13229 W

EN 13229 W

Data for functional demonstration

Rated heat power	kW	13	-
Firewood consumption	kg/h	3,8	6
Combustion performance	kW	16,5	20
Flue gas mass flow	g/s	18	22
Outlet temperature (before heating surface)	°C	410	505
Flue gas temperature after			
attached steel smoke hood	°C	-	-
adjoining cast iron radiator (GNF10)	°C	-	-
accumulation rings (MAS) ¹⁾	°C	-	-
adjoining ceramic accumulator ²⁾	°C	-	-
ceramic modular accumulator (KMS system)	°C	-	-
water boiler	°C	200	-
Necessary supply pressure	Pa	12	15
Combustion air consumption	m ³ /h	50	80
Combustion air connection Ø	mm	125	125

Heat distribution

Insert / heating surface	%	- / 44 - 27	- / 44 - 27
Glass (single / double)	%	- / 8	- / 8
Boiler	%	48 - 65	48 - 65

Cross-section of gratings for max. warm air power

Supply air	cm ²	0	0
Warm air	cm ²	0	0

Space inside oven chamber

Distance to oven chamber wall	cm	6	6
Distance to floor	cm	15	15

Heat insulation without / with ³⁾ air gratings

Wall	cm	Fachregel	Fachregel
Floor	cm	Fachregel	Fachregel
Ceiling	cm	-	-
Brick lining of protected walls	cm	10	10

Water boiler data

max. operating pressure	bar	3	3
max. flow temperature	°C	100	100
Water volume	litres	42	42
Connections flow / return	inch	1	1

Weight

Fireplace + burning chamber	kg	172 + 52	
-----------------------------	----	----------	--

meets requirement limit values for

Germany / Austria / Switzerland / Norway

1.BImSchV (Stufe 2) / - / LRV / -

1) Throttle flap recommended

2) Approximate value, must be calculated eventually

3) Values with air gratings, stove casing is heat conducting

Ulrich Brunner GmbH
 Zellhuber Ring 17 -18
 D-84307 Eggenfelden
 Phone: +49 / (0)87 21 / 7 71-0
 Fax: +49 / (0)87 21 / 7 71-100
 info@brunner.de | www.brunner.de



BRUNNER products are offered and sold only by qualified dealers and service centres.
 Subject to technical and assortment changes. Errors excepted. (08/12)