

## BRUNNER WATER BOILERS



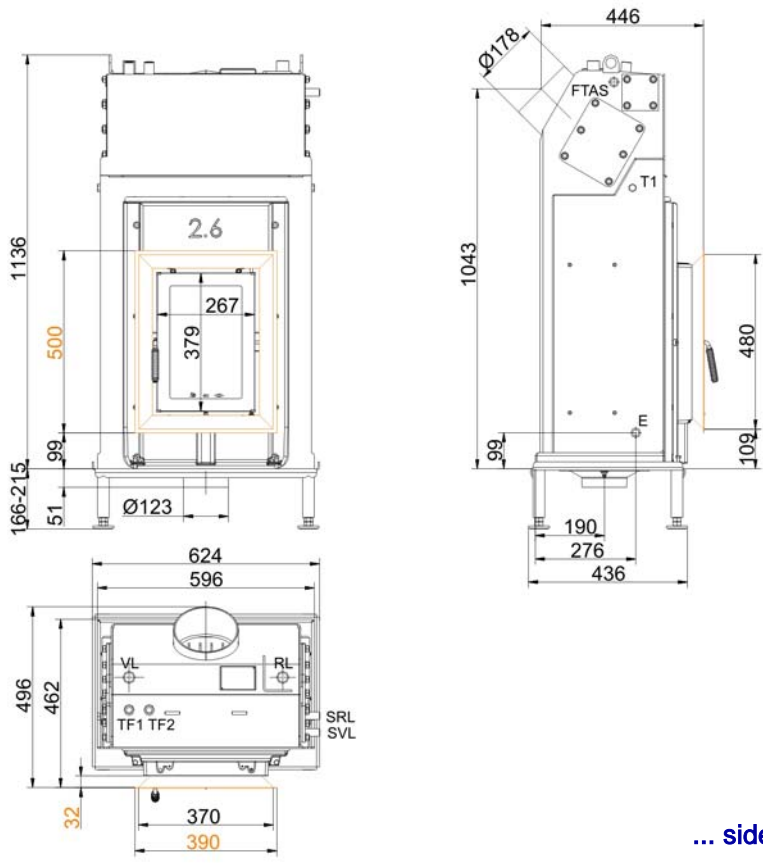
### HKD 2.6k-SK

State: 17.10.2012



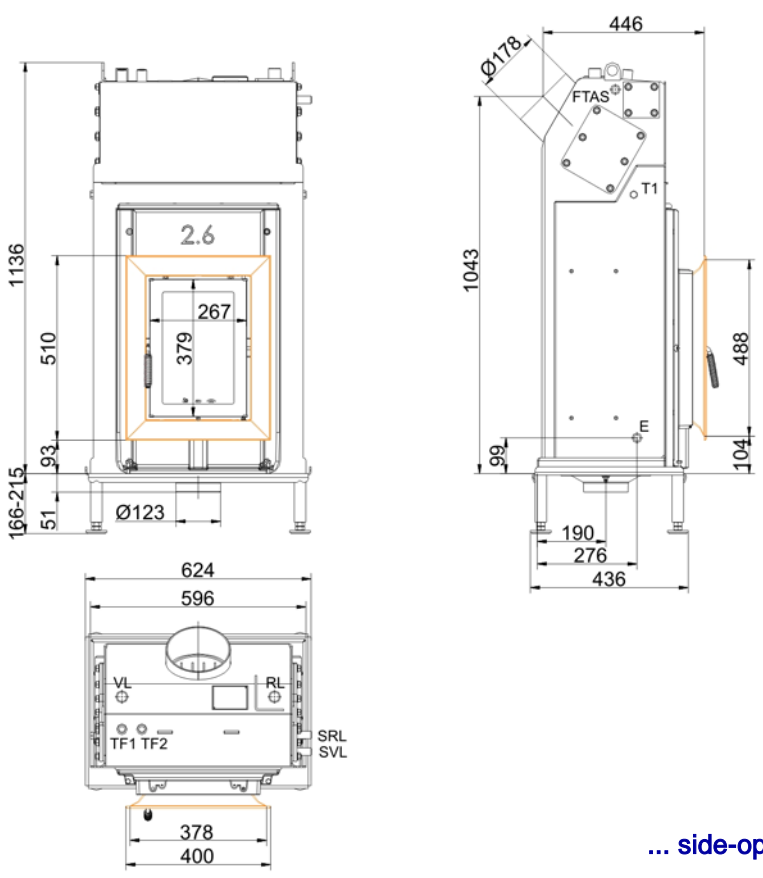
**BRUNNER**<sup>®</sup>  
*made in germany*

Dimension sheet | **HKD 2.6k-SK**



- VL supply 1"
- RL return boiler 1"
- E drain 1/2"
- SVL supply cooling pipe outlet
- SRL return cooling pipe outlet
- FTAS socket for thermometer cooling
- TF1 socket 1/2" for thermometer
- TF2 socket 1/2" for thermometer

... side-opening with steel frame

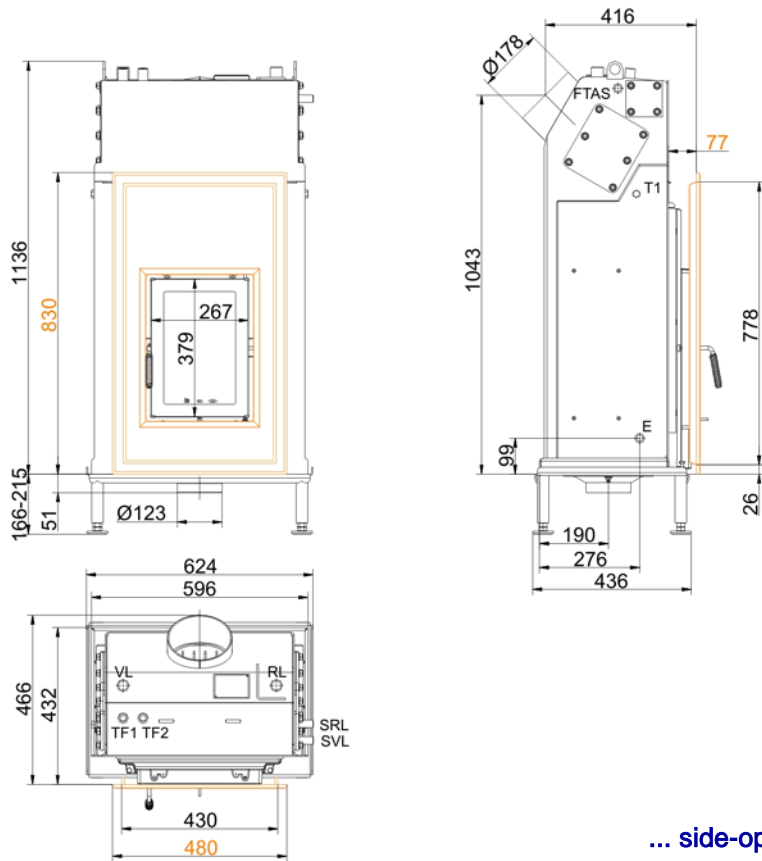


- VL supply 1"
- RL return boiler 1"
- E drain 1/2"
- SVL supply cooling pipe outlet
- SRL return cooling pipe outlet
- FTAS socket for thermometer cooling
- TF1 socket 1/2" for thermometer
- TF2 socket 1/2" for thermometer

... side-opening with cast iron frame

We suggest for CAD planing Palette CAD. Permanent updated drawings: [www.brunner.de](http://www.brunner.de)  
 Frames / front versions are marked colored.

Dimension sheet | **HKD 2.6k-SK**



- VL supply 1"
- RL return boiler 1"
- E drain 1/2"
- SVL supply cooling pipe outlet
- SRL return cooling pipe outlet
- FTAS socket for thermometer cooling
- TF1 socket 1/2" for thermometer
- TF2 socket 1/2" for thermometer

**... side-opening with cast iron plate**

# Planning and installation

## HKD 2.6k-SK

Tested according to

EN 13229 W

EN 13229 W

### Data for functional demonstration

Rated heat power	kW	8	-
Firewood consumption	kg/h	2,5	4
Combustion performance	kW	10	17
Flue gas mass flow	g/s	9	15
Outlet temperature (before heating surface)	°C	-	-
Flue gas temperature after			
attached steel smoke hood	°C	-	-
adjoining cast iron radiator (GNF10)	°C	-	-
accumulation rings (MAS) <sup>1)</sup>	°C	-	-
adjoining ceramic accumulator <sup>2)</sup>	°C	-	-
ceramic modular accumulator (KMS system)	°C	-	-
water boiler	°C	210	255
Necessary supply pressure	Pa	12	12
Combustion air consumption	m <sup>3</sup> /h	25	40
Combustion air connection Ø	mm	125	125

### Heat distribution

Insert / heating surface	%	15 / -	15 / -
Glass (single / double)	%	20 / 15	20 / 15
Boiler	%	65 / 70	65 / 70

### Cross-section of gratings for max. warm air power

Supply air	cm <sup>2</sup>	400	400
Warm air	cm <sup>2</sup>	400	400

### Space inside oven chamber

Distance to oven chamber wall	cm	6	6
Distance to floor	cm	15	15

### Heat insulation without / with <sup>3)</sup> air gratings

Wall	cm	0	0
Floor	cm	0	0
Ceiling	cm	4	4
Brick lining of protected walls	cm	10	10

### Water boiler data

max. operating pressure	bar	3	3
max. flow temperature	°C	100	100
Water volume	litres	36	36
Connections flow / return	inch	1	1

### Weight

Fireplace + burning chamber	kg	276 + 52	
-----------------------------	----	----------	--

### meets requirement limit values for

Germany / Austria / Switzerland / Norway

1.BImSchV (Stufe 2) / 15a BVG / LRV / -

1) Throttle flap recommended

2) Approximate value, must be calculated eventually

3) Values with air gratings, stove casing is heat conducting

Ulrich Brunner GmbH  
Zellhuber Ring 17 -18  
D-84307 Eggenfelden  
Phone: +49 / (0)87 21 / 7 71-0  
Fax: +49 / (0)87 21 / 7 71-100  
info@brunner.de | www.brunner.de



BRUNNER products are offered and sold only by qualified dealers and service centres.  
Subject to technical and assortment changes. Errors excepted. (10/12)