

BRUNNER WATER BOILERS



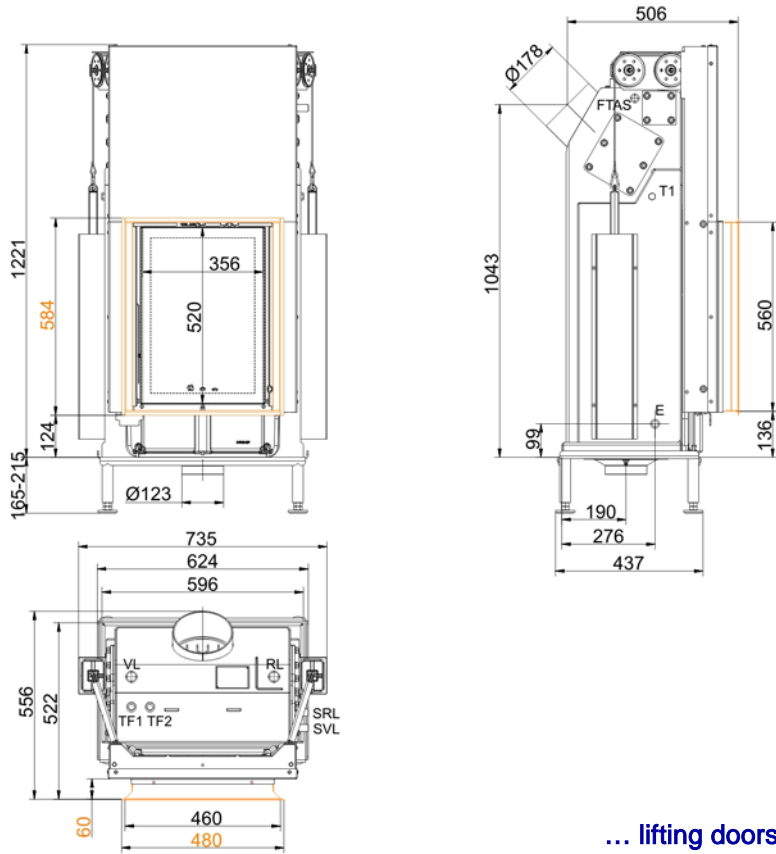
HKD 2.2k-SK

State: 17.10.2012



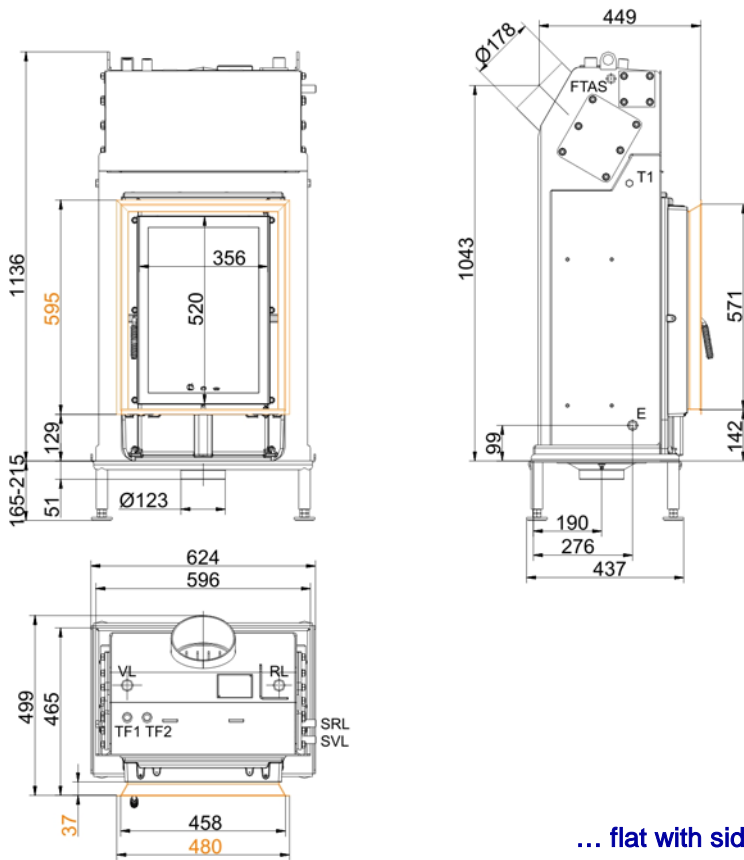
BRUNNER[®]
made in germany

Dimension sheet | **HKD 2.2k-SK**



- VL supply 1"
- RL return boiler 1"
- E drain 1/2"
- SVL supply cooling pipe outlet
- SRL return cooling pipe outlet
- FTAS socket for thermometer cooling
- TF1 socket 1/2" for thermometer
- TF2 socket 1/2" for thermometer

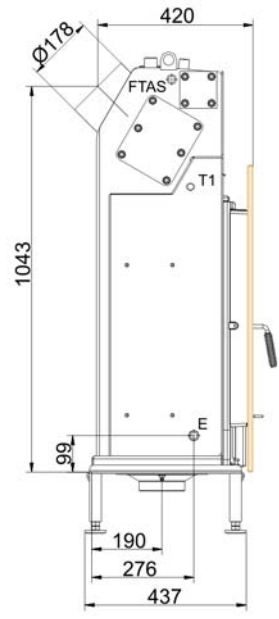
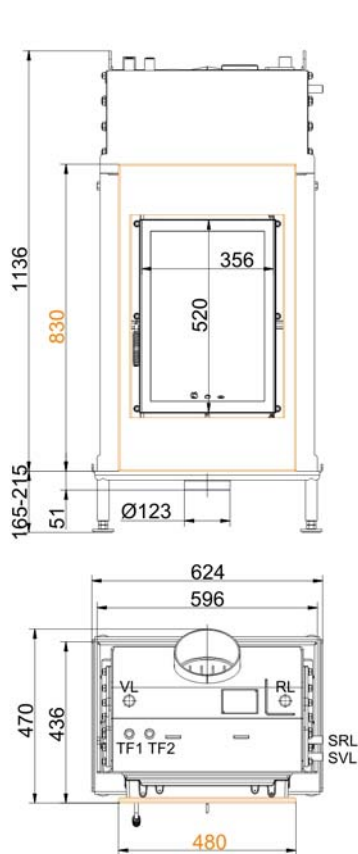
... lifting doors flat with steel door frame



- VL supply 1"
- RL return boiler 1"
- E drain 1/2"
- SVL supply cooling pipe outlet
- SRL return cooling pipe outlet
- FTAS socket for thermometer cooling
- TF1 socket 1/2" for thermometer
- TF2 socket 1/2" for thermometer

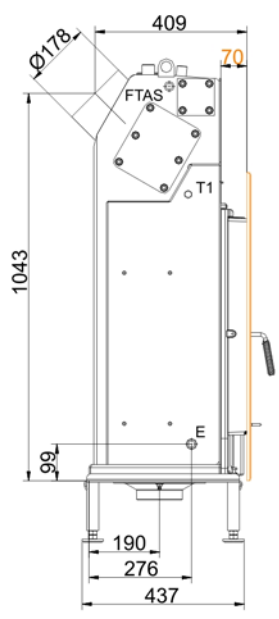
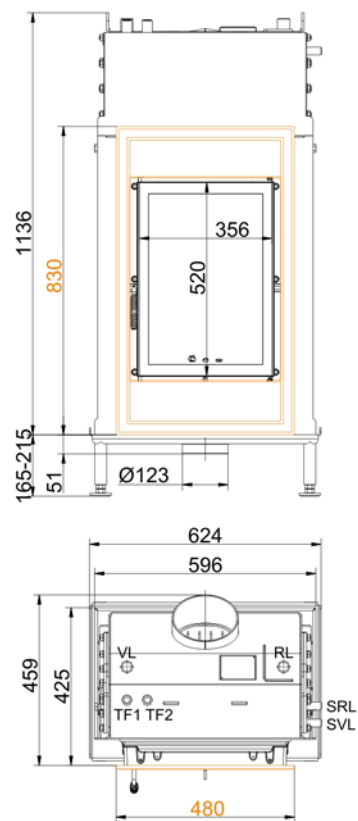
... flat with side-opening and steel frame

Dimension sheet | **HKD 2.2k-SK**



- VL supply 1"
- RL return boiler 1"
- E drain 1/2"
- SVL supply cooling pipe outlet
- SRL return cooling pipe outlet
- FTAS socket for thermometer cooling
- TF1 socket 1/2" for thermometer
- TF2 socket 1/2" for thermometer

... flat with side-opening and steel plate

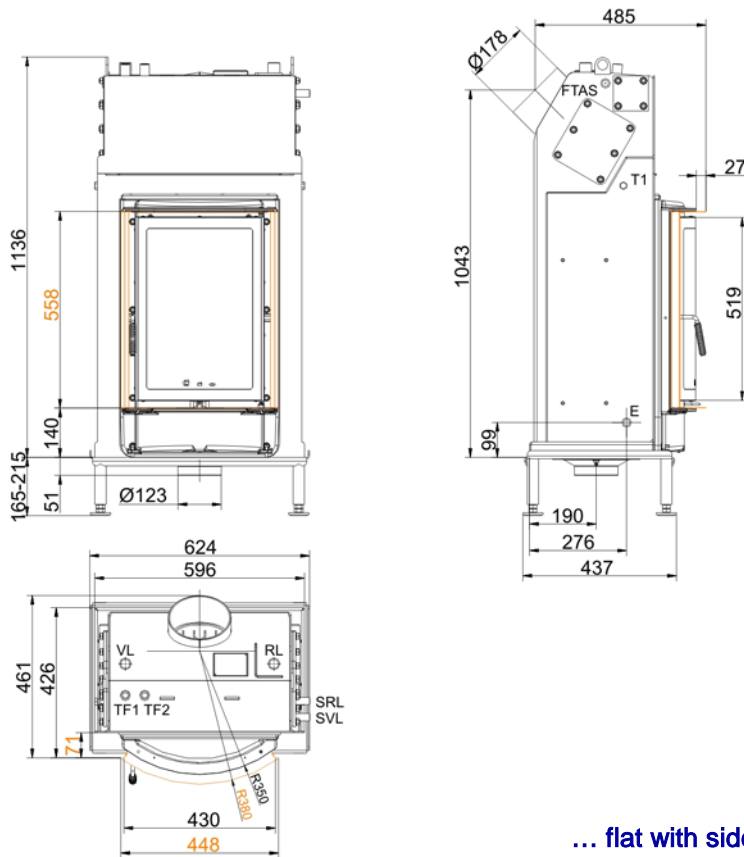


- VL supply 1"
- RL return boiler 1"
- E drain 1/2"
- SVL supply cooling pipe outlet
- SRL return cooling pipe outlet
- FTAS socket for thermometer cooling
- TF1 socket 1/2" for thermometer
- TF2 socket 1/2" for thermometer

... flat with side-opening and cast iron plate

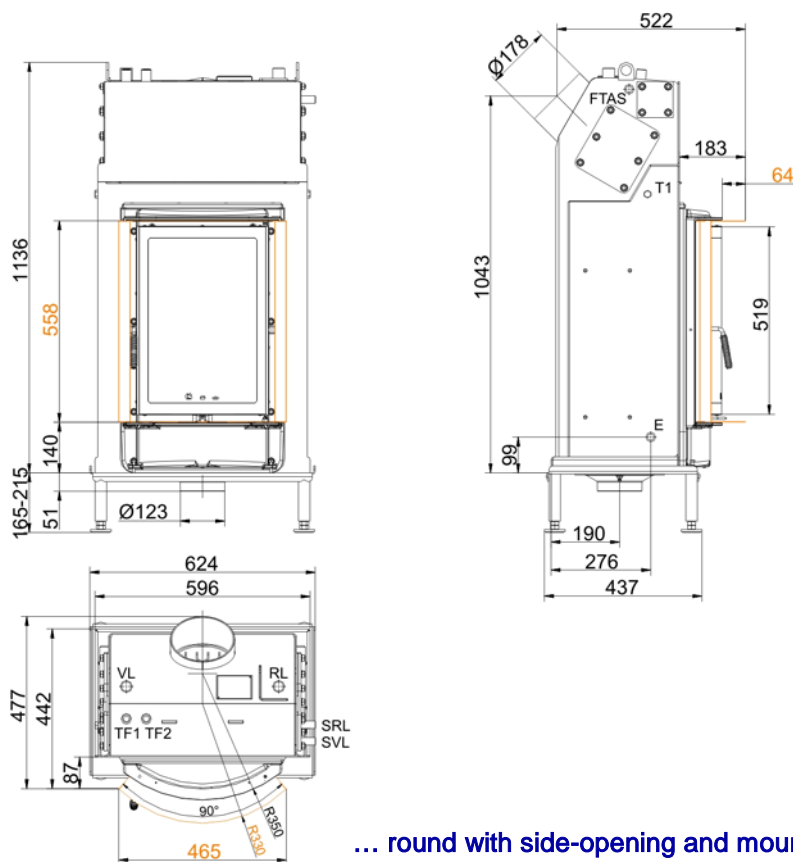
We suggest for CAD planing Palette CAD. Permanent updated drawings: www.brunner.de
 Frames / front versions are marked colored.

Dimension sheet | **HKD 2.2k-SK**



- VL supply 1"
- RL return boiler 1"
- E drain 1/2"
- SVL supply cooling pipe outlet
- SRL return cooling pipe outlet
- FTAS socket for thermometer cooling
- TF1 socket 1/2" for thermometer
- TF2 socket 1/2" for thermometer

... flat with side-opening and steel frame



- VL supply 1"
- RL return boiler 1"
- E drain 1/2"
- SVL supply cooling pipe outlet
- SRL return cooling pipe outlet
- FTAS socket for thermometer cooling
- TF1 socket 1/2" for thermometer
- TF2 socket 1/2" for thermometer

... round with side-opening and mounting frame Jasba R 330

Planning and installation

HKD 2.2k-SK

Tested according to

EN 13229 W

EN 13229 W

Data for functional demonstration

Rated heat power	kW	8	-
Firewood consumption	kg/h	2,5	4
Combustion performance	kW	10	17
Flue gas mass flow	g/s	9	15
Outlet temperature (before heating surface)	°C	-	-
Flue gas temperature after			
attached steel smoke hood	°C	-	-
adjoining cast iron radiator (GNF10)	°C	-	-
accumulation rings (MAS) ¹⁾	°C	-	-
adjoining ceramic accumulator ²⁾	°C	-	-
ceramic modular accumulator (KMS system)	°C	-	-
water boiler	°C	210	255
Necessary supply pressure	Pa	12	12
Combustion air consumption	m ³ /h	25	40
Combustion air connection Ø	mm	125	125

Heat distribution

Insert / heating surface	%	10 / -	10 / -
Glass (single / double)	%	25 / 20	25 / 20
Boiler	%	65 / 70	65 / 70

Cross-section of gratings for max. warm air power

Supply air	cm ²	400	400
Warm air	cm ²	400	400

Space inside oven chamber

Distance to oven chamber wall	cm	6	6
Distance to floor	cm	15	15

Heat insulation without / with ³⁾ air gratings

Wall	cm	0	0
Floor	cm	0	0
Ceiling	cm	4	4
Brick lining of protected walls	cm	10	10

Water boiler data

max. operating pressure	bar	3	3
max. flow temperature	°C	100	100
Water volume	litres	36	36
Connections flow / return	inch	1	1

Weight

Fireplace + burning chamber	kg	276 + 52	
-----------------------------	----	----------	--

meets requirement limit values for

Germany / Austria / Switzerland / Norway

1.BImSchV (Stufe 2) / 15a BVG / LRV / -

1) Throttle flap recommended

2) Approximate value, must be calculated eventually

3) Values with air gratings, stove casing is heat conducting

Ulrich Brunner GmbH
Zellhuber Ring 17 -18
D-84307 Eggenfelden
Phone: +49 / (0)87 21 / 7 71-0
Fax: +49 / (0)87 21 / 7 71-100
info@brunner.de | www.brunner.de



BRUNNER products are offered and sold only by qualified dealers and service centres.
Subject to technical and assortment changes. Errors excepted. (10/12)