



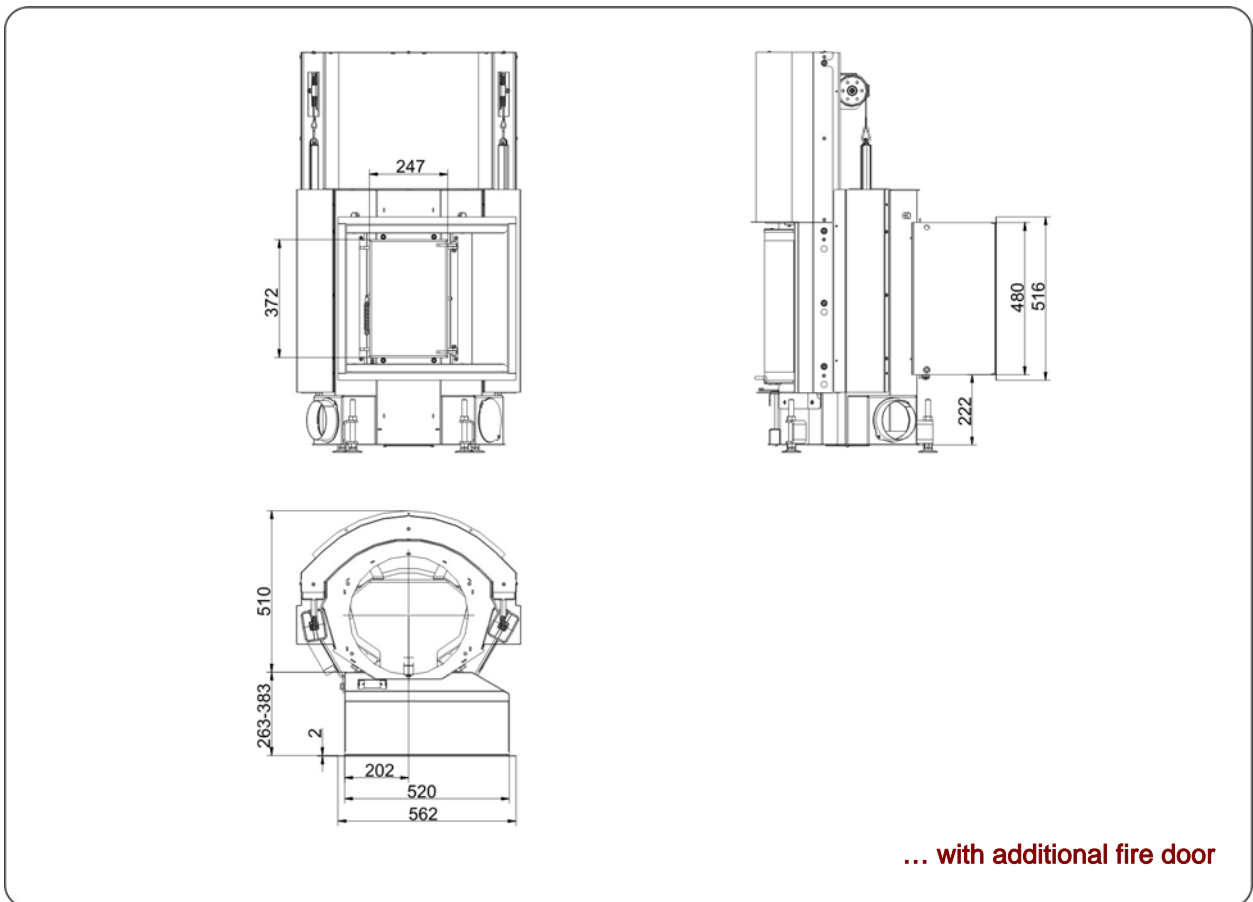
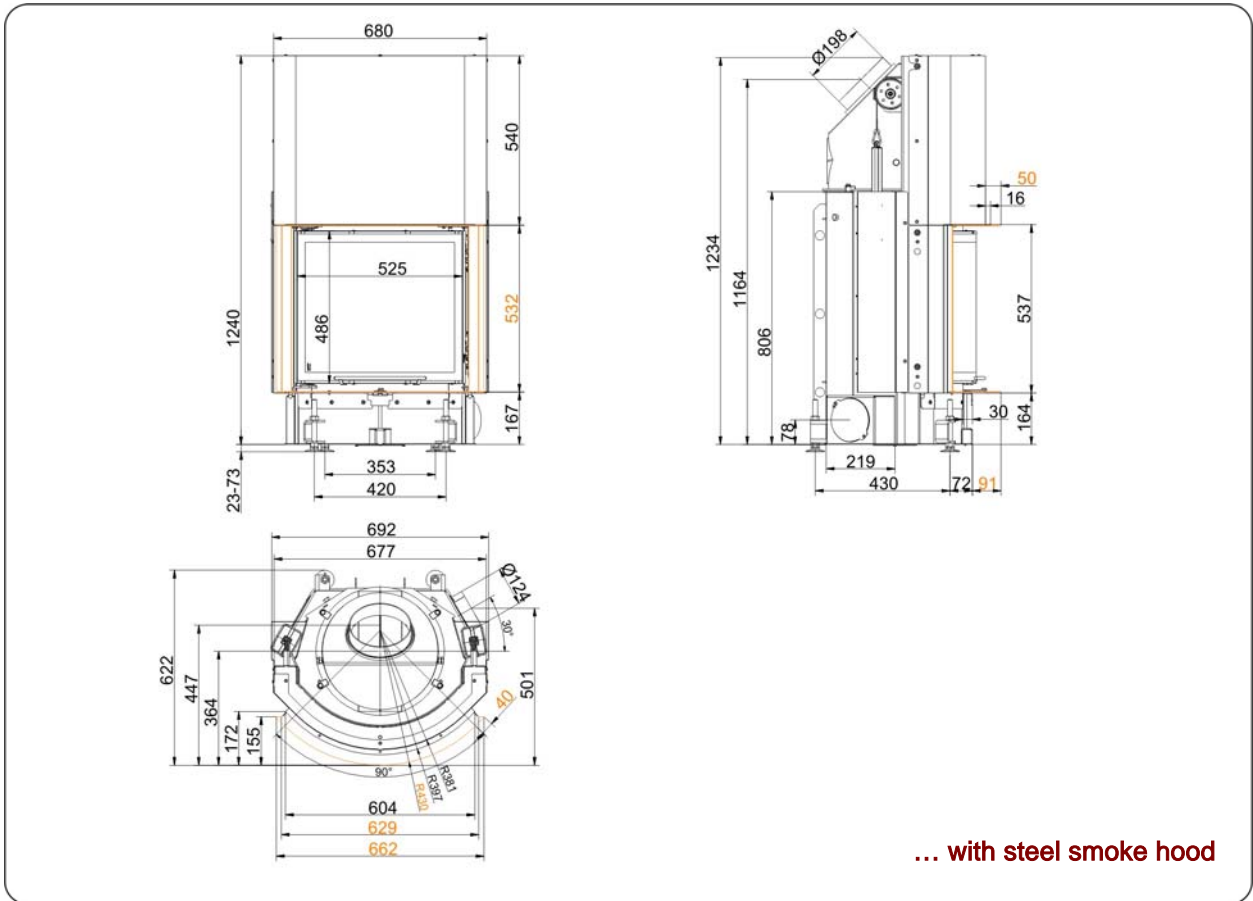
Kompakt-Kamin 51/55 rund lifting doors

State: 30.08.2012

| | |
|--|---|
|  <p>BImSchV</p> |  <p>Stahlblechhaube</p> |
|  <p>Warm Luft</p> |  <p>Power- Stahlblechhaube</p> |
|  <p>keramische Züge</p> |  <p>Gusskuppel</p> |
|  <p>Wasser</p> |  <p>Modulaufsatz- speicher</p> |
|  <p>Elektronische Ofen- Steuerung</p> |  <p>Kesselmodul</p> |
|  <p>Aussenluft Anschluss</p> |  <p>Steckgriff</p> |
|  <p>100% PRODUKT</p> |  <p>Stellhebel</p> |
|  <p>Durch Heiz Tür</p> |  <p>33cm Schnitlänge</p> |

BRUNNER[®]
made in germany

Dimension sheet | **Kompakt-Kamin 51/55 rund lifting doors**



We suggest for CAD planing Palette CAD. Permanent updated drawings: www.brunner.de
 Frames / front versions are marked colored.

Planning and installation

Kompakt-Kamin 51/55 rund

| Tested according to | | EN 13229 W | EN 13229 WA | EN 13229 W |
|--|-------------------|---|--------------|------------|
| Values measured at | | nominal load | accumulation | open door |
| Suitable for all construction types according to rules | | OK | OK | OK |
| Data for functional demonstration | | | | |
| Rated heat power | kW | 8 | - | - |
| Firewood consumption | kg/h | 2,5 | 4 | 2,5 |
| Combustion performance | kW | 10 | 17 | 11 |
| Flue gas mass flow | g/s | 8,5 | 20 | 50 |
| Outlet temperature (before heating surface) | °C | - | 340 | - |
| Flue gas temperature after | | | | |
| attached steel smoke hood | °C | 225 | - | 120 |
| 1 x adjoining cast iron radiator (GNF10) | °C | - | 160 | - |
| 6 x accumulation rings (MAS) ¹⁾ | °C | - | 205 | - |
| 2 m adjoining ceramic accumulator ²⁾ | °C | - | 180 | - |
| ceramic modular accumulator (KMS system) | °C | - | - | - |
| water boiler | °C | - | - | - |
| Necessary supply pressure | Pa | 12 | 13 | 10 |
| Combustion air consumption | m ³ /h | 35 | 35 | 76 |
| Combustion air connection Ø | mm | 125 | 125 | - |
| Heat distribution | | | | |
| Insert / heating surface | % | 30 / 30 | 30 / 30 | - / - |
| Glass (single / double) | % | 40 / - | 40 / - | - / - |
| Boiler | % | - | - | - |
| Cross-section of gratings for max. warm air power | | | | |
| Supply air | cm ² | 500 | 700 | 0 |
| Warm air | cm ² | 500 | 700 | 0 |
| Minimal oven surface for closed construction type | | | | |
| Surface giving off heat | m ² | 3,8 | 3,8 | - |
| Space inside oven chamber | | | | |
| Distance to oven chamber wall | cm | 8 | 8 | 8 |
| Distance to floor | cm | - | - | - |
| Heat insulation without / with ³⁾ air gratings | | | | |
| Wall | cm | 12 / 9 | 14 / 10 | 12 / 9 |
| Floor | cm | 4 / 2 | 4 / 2 | 4 / 2 |
| Ceiling | cm | 14 / 10 | 20 / 14 | 14 / 10 |
| Insulation of additional fire door DHT | cm | 6 | 6 | 6 |
| Brick lining of protected walls | cm | 10 | 10 | 10 |
| Weight | | | | |
| Fireplace + burning chamber | kg | | 129 + 49 | |
| meets requirement limit values for | | | | |
| Germany / Austria / Switzerland / Norway | | 1.BImSchV (Stufe 2) / 15a BVG / LRV / NS 3059 | | |

1) Throttle flap recommended

2) Approximate value, must be calculated eventually

3) Values with air gratings, stove casing is heat conducting

Ulrich Brunner GmbH
Zellhuber Ring 17 -18
D-84307 Eggenfelden
Phone: +49 / (0)87 21 / 7 71-0
Fax: +49 / (0)87 21 / 7 71-100
info@brunner.de | www.brunner.de



BRUNNER products are offered and sold only by qualified dealers and service centres.
Subject to technical and assortment changes. Errors excepted. (08/12)