



- 

Stahlblechhaube
- 

Warm  
Luft
- 

Power-  
Stahlblechhaube
- 

keramische  
Züge
- 

Gusskuppel
- 

Wasser
- 

Modulaufsatz-  
speicher
- 

Elektronische  
Ofen-  
Steuerung
- 

Kesselmodul
- 

Aussenluft  
Anschluss
- 

Türanschlag  
rechts / links
- 

BImSchV
- 

Spiralgriff
- 

100%  
PRODUKT
- 

Stellhebel
- 

Durch  
Heiz  
Tür
- 

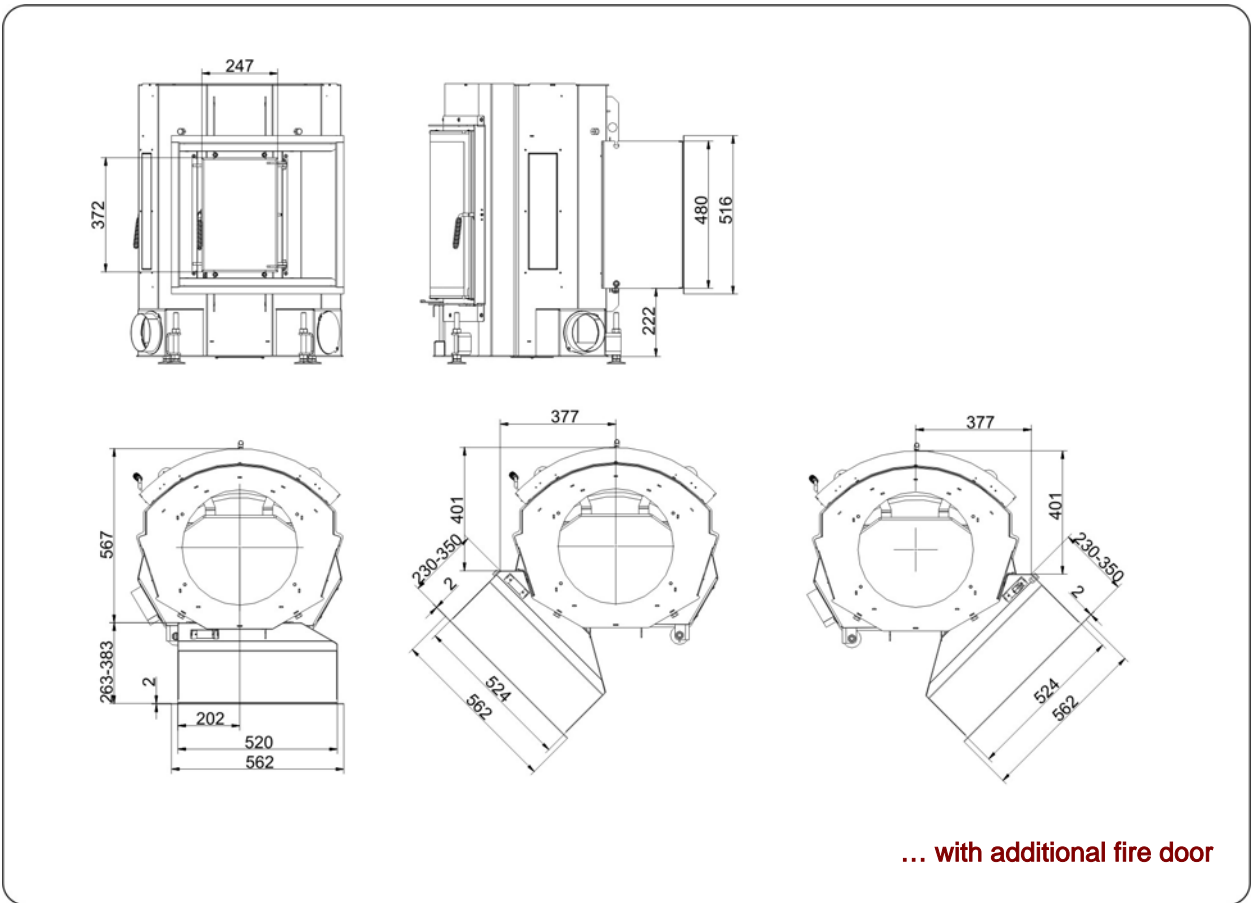
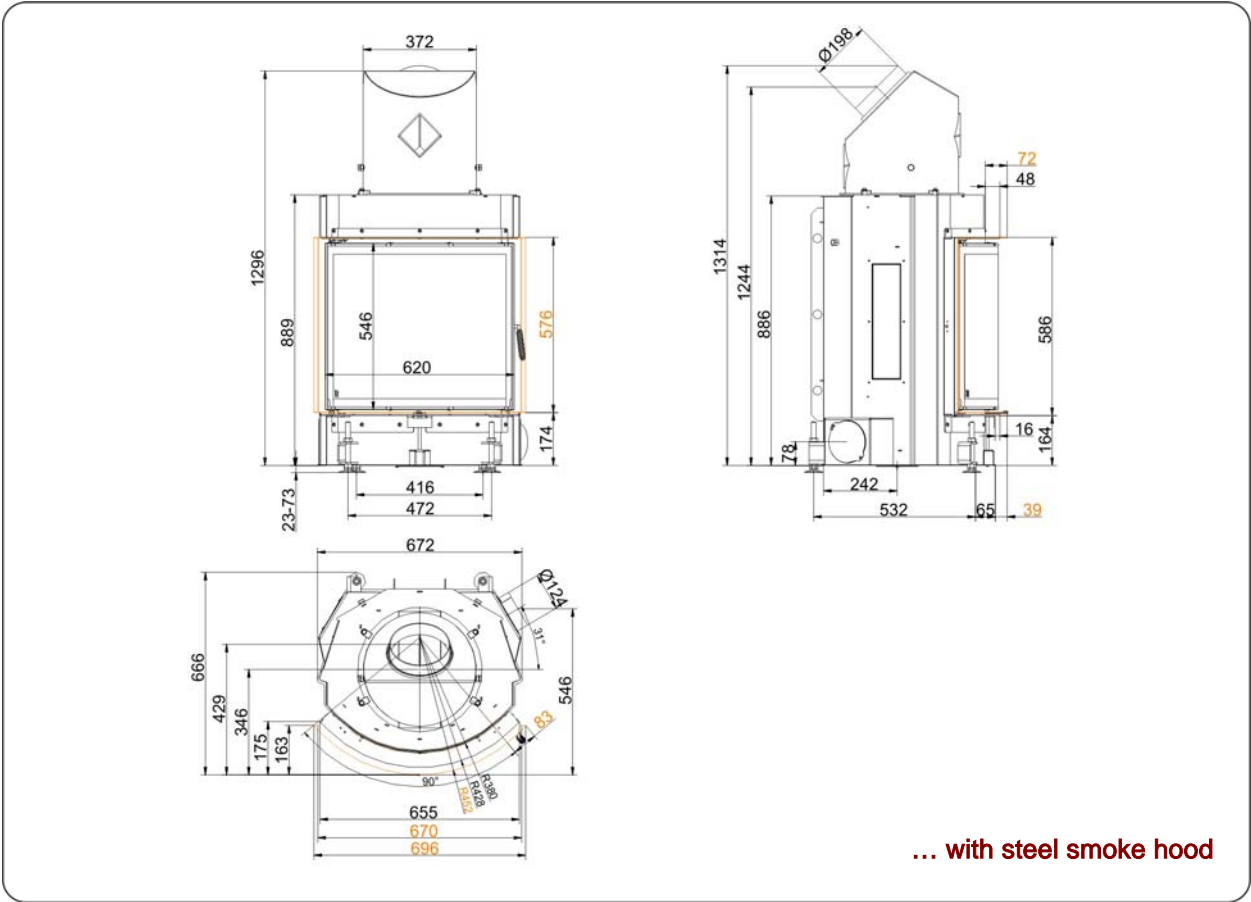
33cm  
Schnittlänge

## Kompakt-Kamin 57/67 rund side opening doors

State: 30.08.2012

**BRUNNER**<sup>®</sup>  
*made in germany*

Dimension sheet | **Kompakt-Kamin 57/67 rund side opening doors**



# Planning and installation

## Kompakt-Kamin 57/67 rund

Tested according to		EN 13229 W	EN 13229 WA	EN 13229 W
Values measured at		nominal load	accumulation	open door
Suitable for all construction types according to rules		OK	OK	OK
<b>Data for functional demonstration</b>				
Rated heat power	kW	11	-	-
Firewood consumption	kg/h	3,3	5	3
Combustion performance	kW	14	23	15
Flue gas mass flow	g/s	10,5	22	60
Outlet temperature (before heating surface)	°C	-	350	-
Flue gas temperature after				
attached steel smoke hood	°C	250	-	130
1 x adjoining cast iron radiator (GNF10)	°C	-	190	-
6 x accumulation rings (MAS) <sup>1)</sup>	°C	-	235	-
2 m adjoining ceramic accumulator <sup>2)</sup>	°C	-	180	-
ceramic modular accumulator (KMS system)	°C	-	-	-
water boiler	°C	-	-	-
Necessary supply pressure	Pa	13	13	10
Combustion air consumption	m <sup>3</sup> /h	40	40	94
Combustion air connection Ø	mm	125	125	-
<b>Heat distribution</b>				
Insert / heating surface	%	30 / 30	30 / 30	- / -
Glass (single / double)	%	40 / -	40 / -	- / -
Boiler	%	-	-	-
<b>Cross-section of gratings for max. warm air power</b>				
Supply air	cm <sup>2</sup>	900	1000	0
Warm air	cm <sup>2</sup>	900	1000	0
<b>Minimal oven surface for closed construction type</b>				
Surface giving off heat	m <sup>2</sup>	5,5	5,5	-
<b>Space inside oven chamber</b>				
Distance to oven chamber wall	cm	8	8	8
Distance to floor	cm	-	-	-
<b>Heat insulation without / with <sup>3)</sup> air gratings</b>				
Wall	cm	14 / 10	16 / 12	14 / 10
Floor	cm	4 / 2	4 / 2	4 / 2
Ceiling	cm	16 / 12	25 / 18	16 / 12
Insulation of additional fire door DHT	cm	6	6	6
Brick lining of protected walls	cm	10	10	10
<b>Weight</b>				
Fireplace + burning chamber	kg		157 + 61	
<b>meets requirement limit values for</b>				
Germany / Austria / Switzerland / Norway		1.BImSchV (Stufe 2) / 15a BVG / LRV / -		

1) Throttle flap recommended

2) Approximate value, must be calculated eventually

3) Values with air gratings, stove casing is heat conducting

Ulrich Brunner GmbH  
 Zellhuber Ring 17 -18  
 D-84307 Eggenfelden  
 Phone: +49 / (0)87 21 / 7 71-0  
 Fax: +49 / (0)87 21 / 7 71-100  
 info@brunner.de | www.brunner.de



BRUNNER products are offered and sold only by qualified dealers and service centres.  
 Subject to technical and assortment changes. Errors excepted. (08/12)