

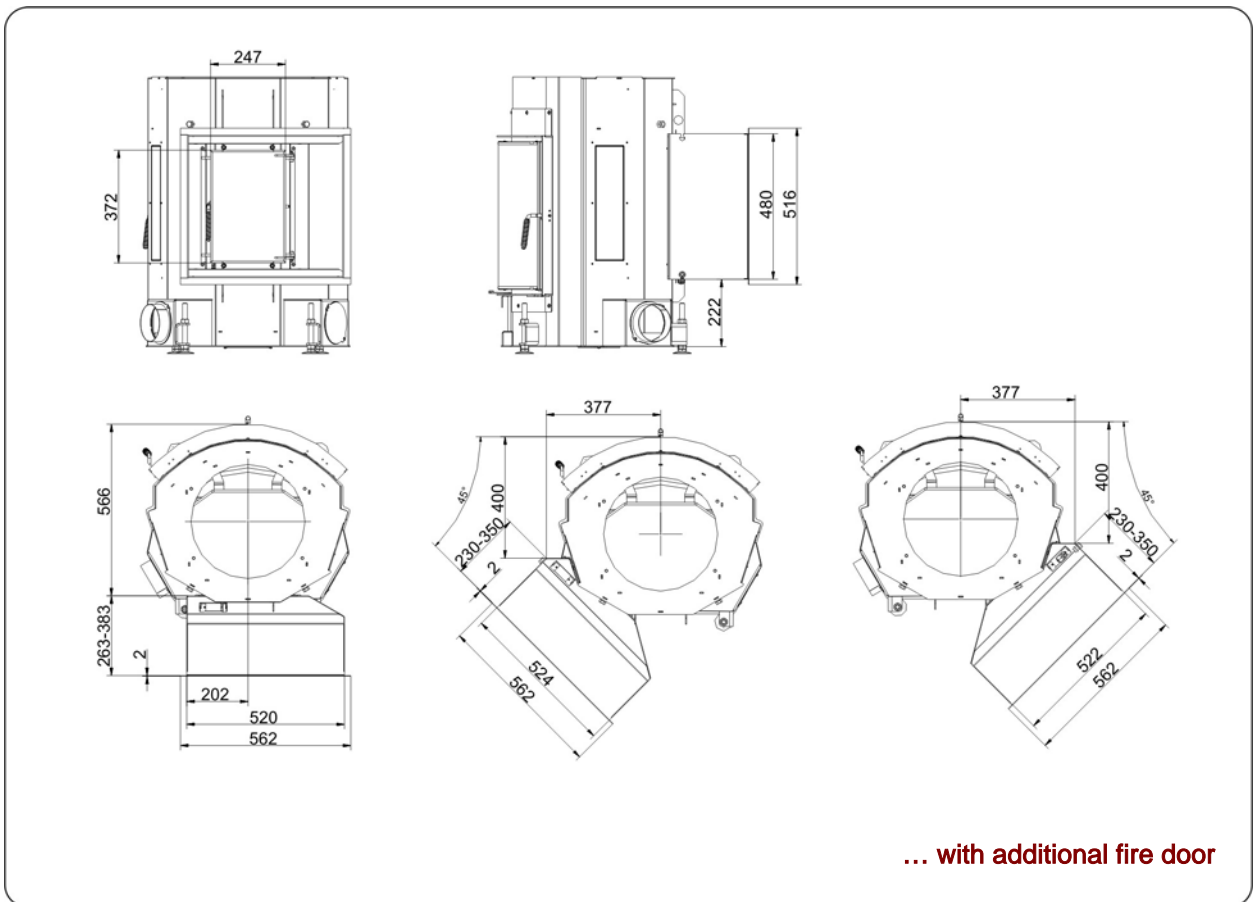
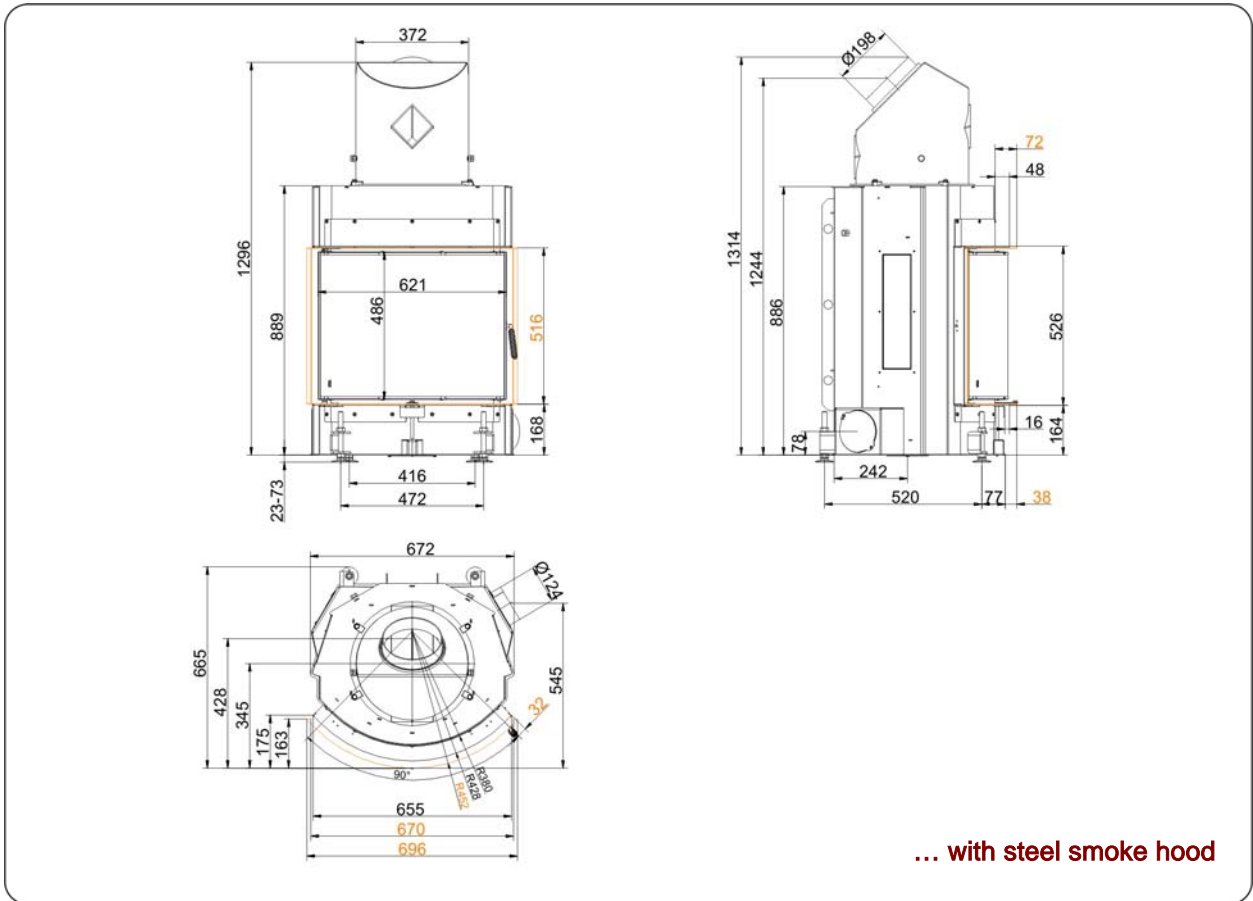


Kompakt-Kamin 51/67 rund side opening doors

State: 30.08.2012

BRUNNER[®]
made in germany

Dimension sheet | **Kompakt-Kamin 51/67 rund side opening doors**



Planning and installation

Kompakt-Kamin 51/67 rund

| Tested according to | EN 13229 W | EN 13229 WA | EN 13229 W |
|--|--------------|--------------|------------|
| Values measured at | nominal load | accumulation | open door |
| Suitable for all construction types according to rules | OK | OK | OK |

Data for functional demonstration

| | | | | |
|---|-------------------|------|-----|-----|
| Rated heat power | kW | 11 | - | - |
| Firewood consumption | kg/h | 3,3 | 5 | 3 |
| Combustion performance | kW | 14 | 23 | 15 |
| Flue gas mass flow | g/s | 10,5 | 22 | 60 |
| Outlet temperature (before heating surface) | °C | - | 350 | - |
| Flue gas temperature after | | | | |
| attached steel smoke hood | °C | 250 | - | 130 |
| 1 x adjoining cast iron radiator (GNF10) | °C | - | 190 | - |
| 6 x accumulation rings (MAS) ¹⁾ | °C | - | 235 | - |
| 2 m adjoining ceramic accumulator ²⁾ | °C | - | 180 | - |
| ceramic modular accumulator (KMS system) | °C | - | - | - |
| water boiler | °C | - | - | - |
| Necessary supply pressure | Pa | 13 | 13 | 10 |
| Combustion air consumption | m ³ /h | 40 | 40 | 94 |
| Combustion air connection Ø | mm | 125 | 125 | - |

Heat distribution

| | | | | |
|--------------------------|---|---------|---------|-------|
| Insert / heating surface | % | 30 / 30 | 30 / 30 | - / - |
| Glass (single / double) | % | 40 / - | 40 / - | - / - |
| Boiler | % | - | - | - |

Cross-section of gratings for max. warm air power

| | | | | |
|------------|-----------------|-----|------|---|
| Supply air | cm ² | 900 | 1000 | 0 |
| Warm air | cm ² | 900 | 1000 | 0 |

Minimal oven surface for closed construction type

| | | | | |
|-------------------------|----------------|-----|-----|---|
| Surface giving off heat | m ² | 5,5 | 5,5 | - |
|-------------------------|----------------|-----|-----|---|

Space inside oven chamber

| | | | | |
|-------------------------------|----|---|---|---|
| Distance to oven chamber wall | cm | 8 | 8 | 8 |
| Distance to floor | cm | - | - | - |

Heat insulation without / with ³⁾ air gratings

| | | | | |
|--|----|---------|---------|---------|
| Wall | cm | 14 / 10 | 16 / 12 | 14 / 10 |
| Floor | cm | 4 / 2 | 4 / 2 | 4 / 2 |
| Ceiling | cm | 16 / 12 | 25 / 18 | 16 / 12 |
| Insulation of additional fire door DHT | cm | 6 | 6 | 6 |
| Brick lining of protected walls | cm | 10 | 10 | 10 |

Weight

| | | | | |
|-----------------------------|----|--|----------|--|
| Fireplace + burning chamber | kg | | 156 + 61 | |
|-----------------------------|----|--|----------|--|

meets requirement limit values for

| | |
|--|---|
| Germany / Austria / Switzerland / Norway | 1.BImSchV (Stufe 2) / 15a BVG / LRV / NS 3059 |
|--|---|

- 1) Throttle flap recommended
- 2) Approximate value, must be calculated eventually
- 3) Values with air gratings, stove casing is heat conducting

Ulrich Brunner GmbH
 Zellhuber Ring 17 -18
 D-84307 Eggenfelden
 Phone: +49 / (0)87 21 / 7 71-0
 Fax: +49 / (0)87 21 / 7 71-100
 info@brunner.de | www.brunner.de



BRUNNER products are offered and sold only by qualified dealers and service centres.
 Subject to technical and assortment changes. Errors excepted. (08/12)