



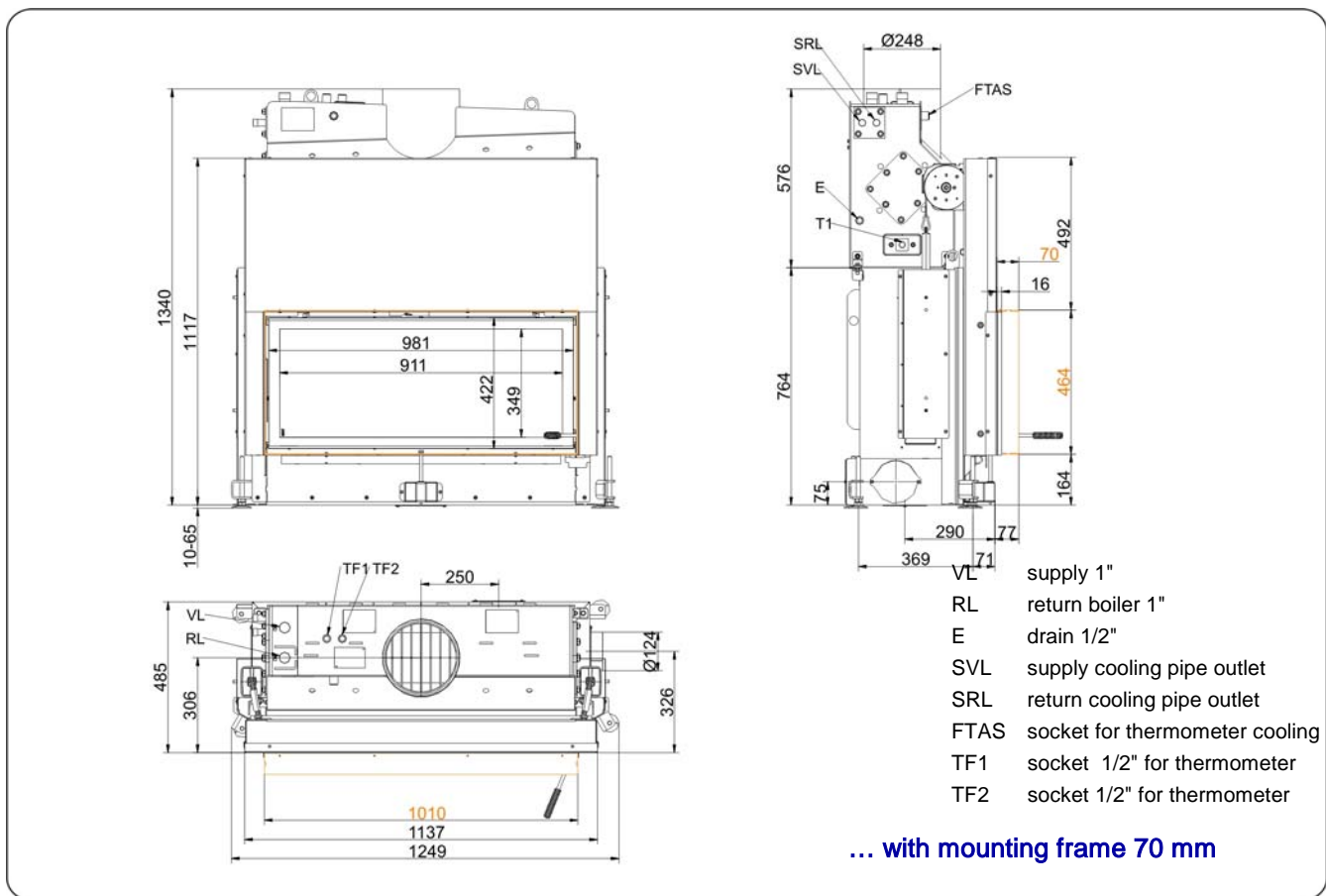
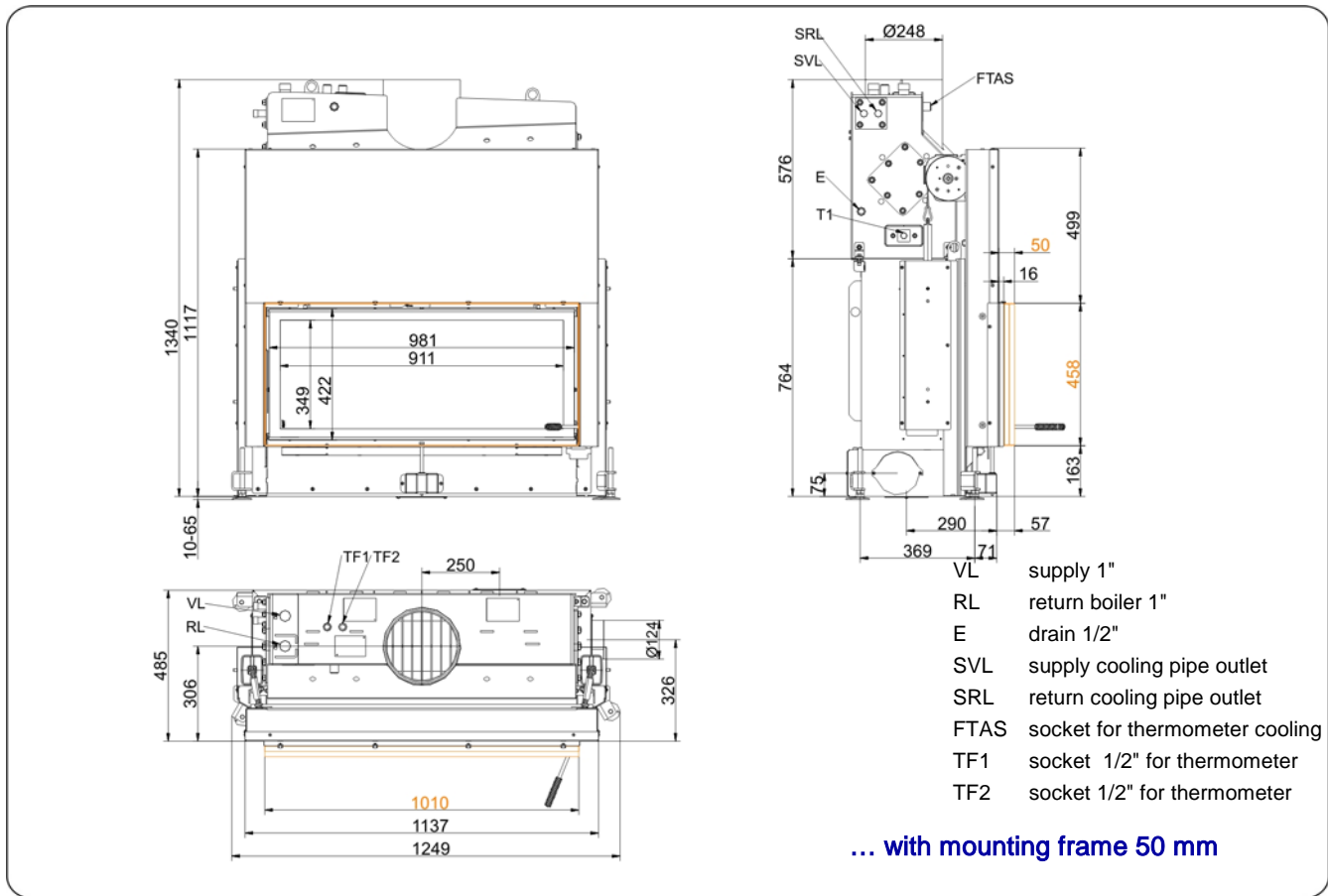
## Kamin-Kessel 45/101 lifting doors

State: 17.10.2012



**BRUNNER**<sup>®</sup>  
*made in germany*

Dimension sheet | **Kamin-Kessel 45/101 lifting doors**

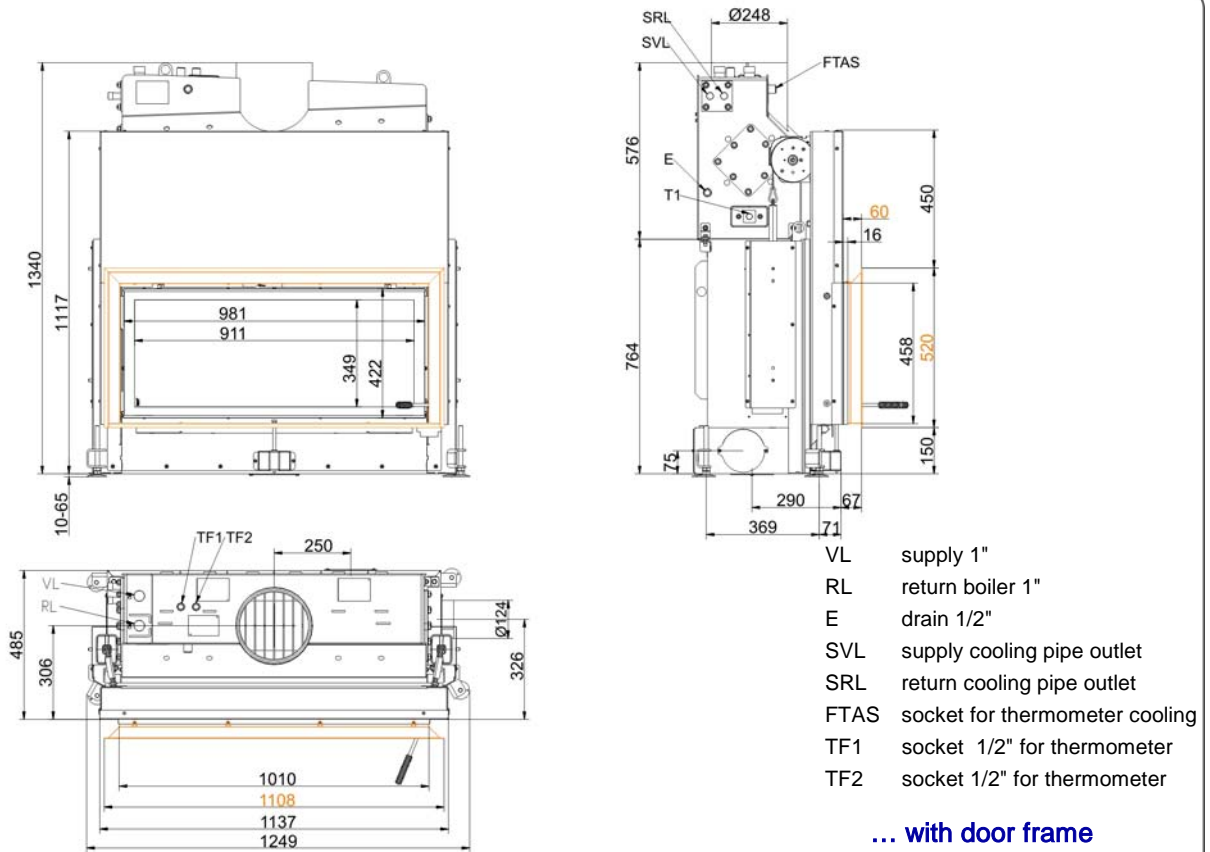


We suggest for CAD planing Palette CAD. Permanent updated drawings: [www.brunner.de](http://www.brunner.de)

Frames / front versions are marked colored.

Art.-Nr I019490 flue gas adapter for horizontal outlet (E= Ø 250mm / A= Ø 200mm)

Dimension sheet | **Kamin-Kessel 45/101 lifting doors**



We suggest for CAD planing Palette CAD. Permanent updated drawings: [www.brunner.de](http://www.brunner.de)

Frames / front versions are marked colored.

Art.-Nr I019490 flue gas adapter for horizontal outlet (E= Ø 250mm / A= Ø 200mm)

# Planning and installation

## Kamin-Kessel 45/101

Tested according to

EN 13229 W

EN 13229 W

### Data for functional demonstration

Rated heat power	kW	19	-
Firewood consumption	kg/h	5,2	6
Combustion performance	kW	17,5	24,5
Flue gas mass flow	g/s	15	21,5
Outlet temperature (before heating surface)	°C		
Flue gas temperature after			
attached steel smoke hood	°C	-	-
adjoining cast iron radiator (GNF10)	°C	-	-
accumulation rings (MAS) <sup>1)</sup>	°C	-	-
adjoining ceramic accumulator <sup>2)</sup>	°C	-	-
ceramic modular accumulator (KMS system)	°C	-	-
water boiler	°C	170	200
Necessary supply pressure	Pa	12	15
Combustion air consumption	m <sup>3</sup> /h	45	55
Combustion air connection Ø	mm	125	125

### Heat distribution

Insert / heating surface	%	15 / -	15 / -
Glass (single / double)	%	40 / 35	40 / 35
Boiler	%	45 - 50	45 - 50

### Cross-section of gratings for max. warm air power

Supply air	cm <sup>2</sup>	400	400
Warm air	cm <sup>2</sup>	400	400

### Space inside oven chamber

Distance to oven chamber wall	cm	6	6
Distance to floor	cm	2	2

### Heat insulation without / with <sup>3)</sup> air gratings

Wall	cm	2	2
Floor	cm	0	0
Ceiling	cm	10	10
Brick lining of protected walls	cm	10	10

### Water boiler data

max. operating pressure	bar	3	3
max. flow temperature	°C	100	100
Water volume	litres	55	55
Connections flow / return	inch	1	1

### Weight

Fireplace + burning chamber <sup>4)</sup>	kg	182 + 154 + 89	
---	----	----------------	--

### meets requirement limit values for

Germany / Austria / Switzerland / Norway

1.BImSchV (Stufe 2) / 15. BVG / LRV / -

- 1) Throttle flap recommended
- 2) Approximate value, must be calculated eventually
- 3) Values with air gratings, stove casing is heat conducting
- 4) heater = body + mounted exchanger

Ulrich Brunner GmbH  
Zellhuber Ring 17 -18  
D-84307 Eggenfelden  
Phone: +49 / (0)87 21 / 7 71-0  
Fax: +49 / (0)87 21 / 7 71-100  
info@brunner.de | www.brunner.de

# BRUNNER®

BRUNNER products are offered and sold only by qualified dealers and service centres.  
Subject to technical and assortment changes. Errors excepted. (10/12)