

## BRUNNER TILE STOVES



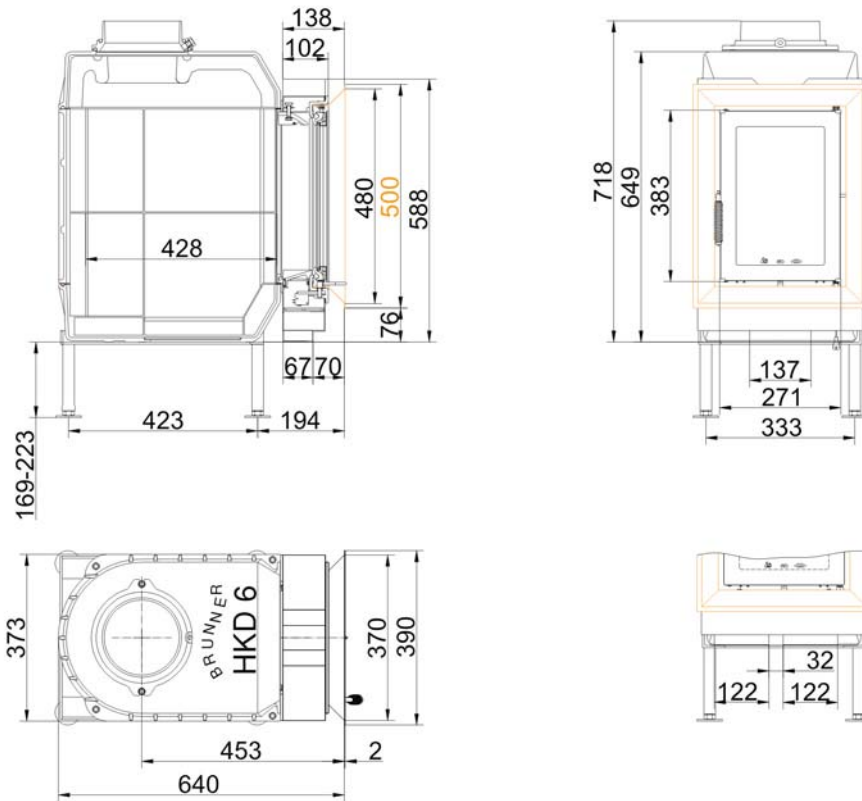
### HKD 6.1

State: 30.08.2012

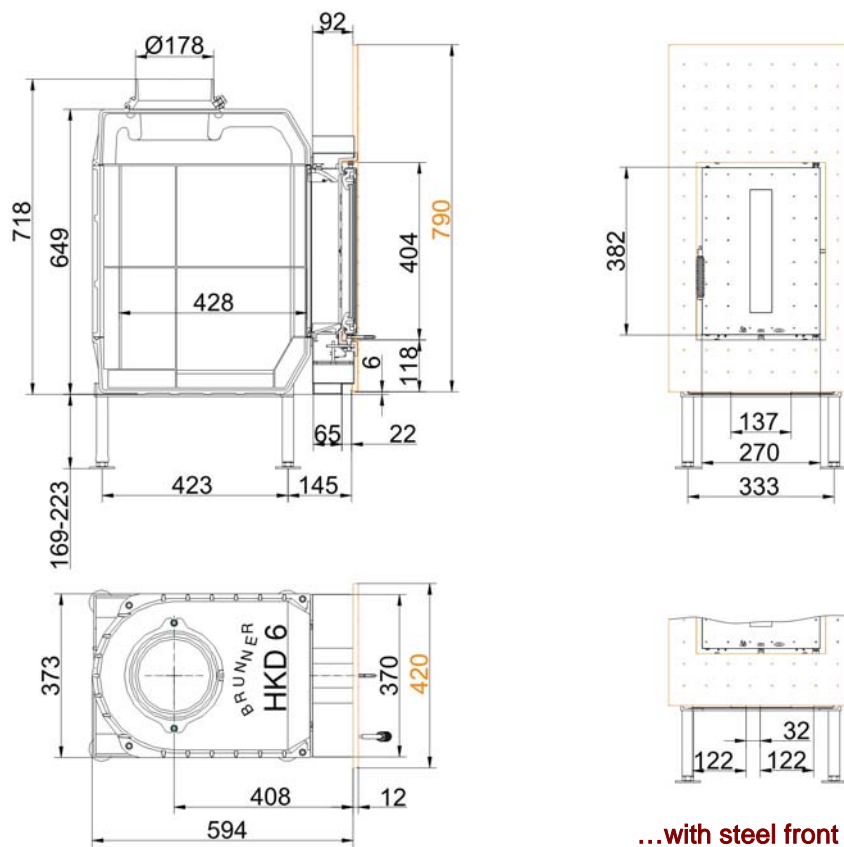


**BRUNNER**<sup>®</sup>  
*made in germany*

Dimension sheet | **HKD 6.1**

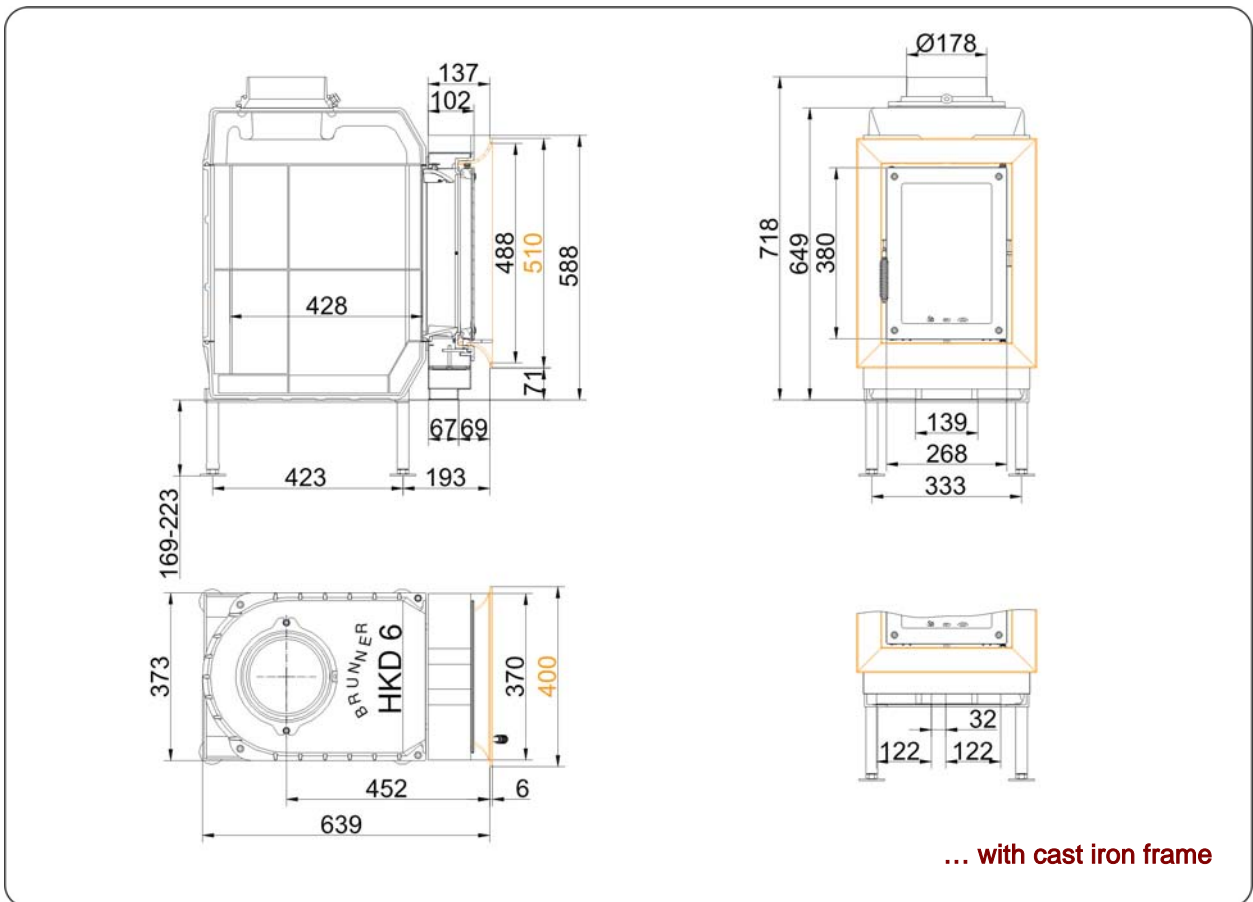
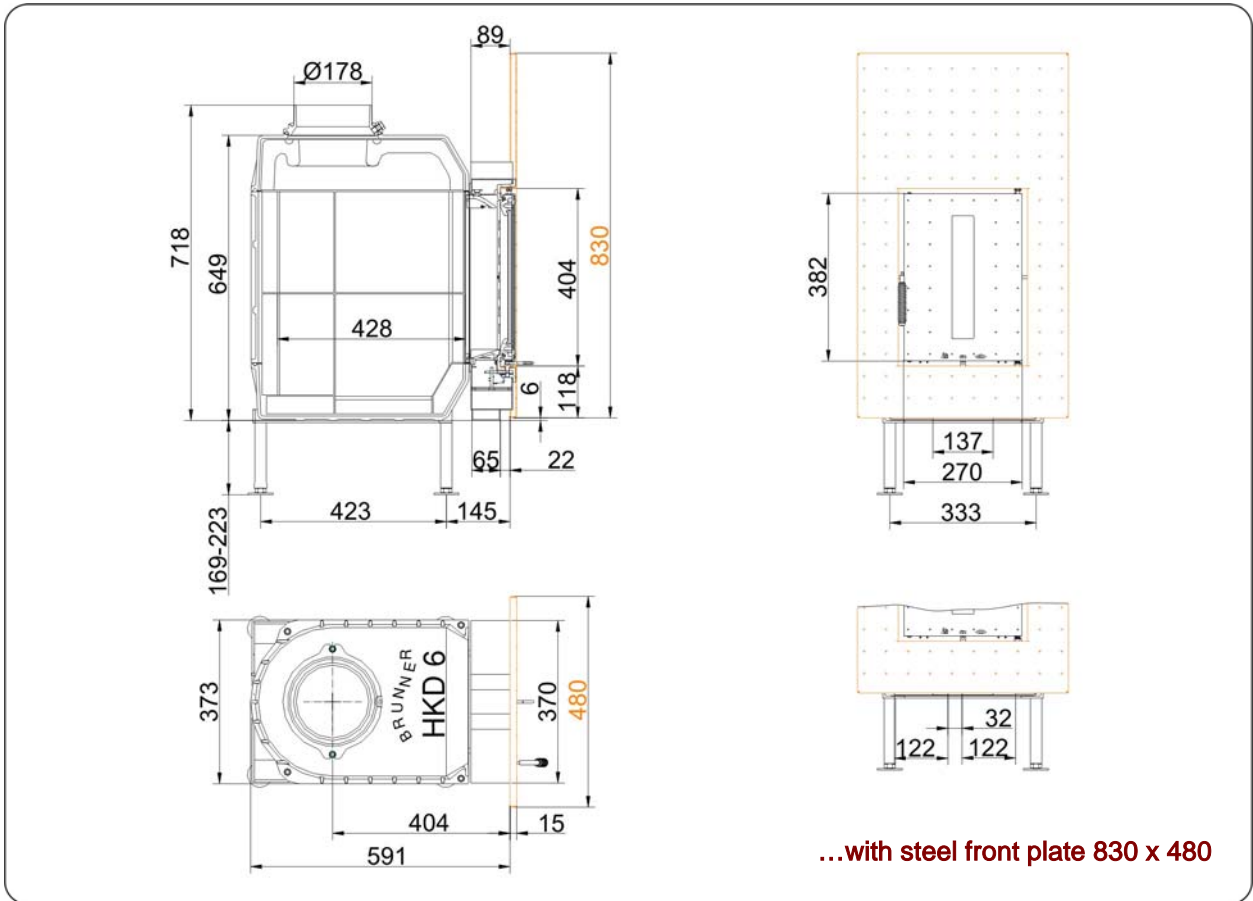


... with steel door frame

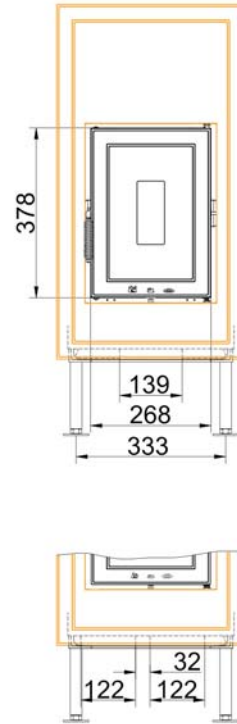
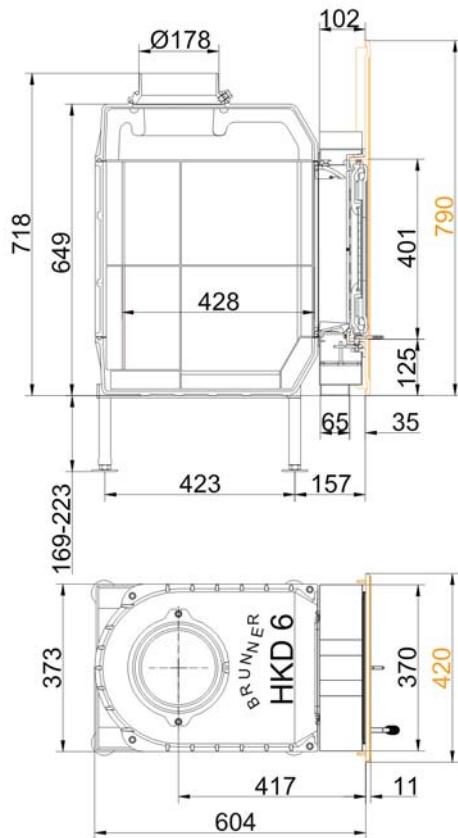


... with steel front plate 790 x 420

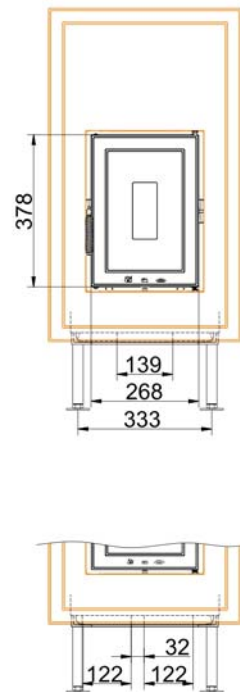
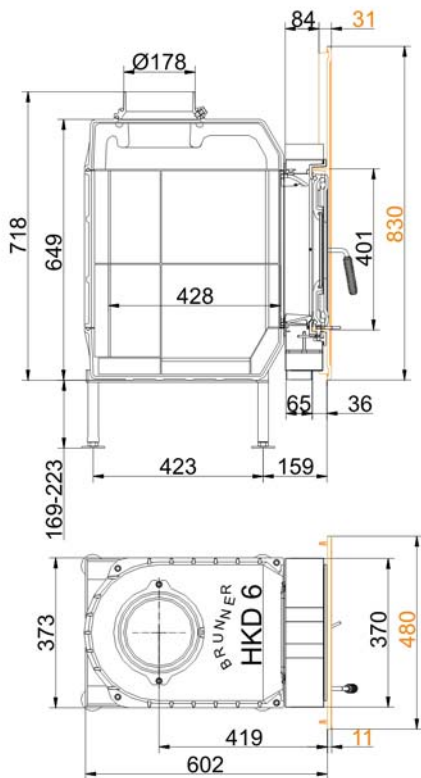
Dimension sheet | **HKD 6.1**



Dimension sheet | **HKD 6.1**



...cast iron front plate 790 x 420



...cast iron front plate 830 X 480

# Planning and installation

## HKD 6.1

Tested according to		EN 13229 W	EN 13229 WA
Values measured at		nominal load	accumulation
Suitable for all construction types according to rules		OK	OK
<b>Data for functional demonstration</b>			
Rated heat power	kW	9	-
Firewood consumption	kg/h	2,2	4,2
Combustion performance	kW	10,	19
Flue gas mass flow	g/s	10	16
Outlet temperature (before heating surface)	°C	510	600
Flue gas temperature after			
attached steel smoke hood	°C	-	-
1 x adjoining cast iron radiator (GNF10)	°C	140	170
6 x accumulation rings (MAS) <sup>1)</sup>	°C	-	200
4,5 m adjoining ceramic accumulator <sup>2)</sup>	°C	-	180
3,5 m ceramic modular accumulator (KMS system)	°C	-	200
water boiler	°C	-	-
Necessary supply pressure	Pa	12	15
Combustion air consumption	m <sup>3</sup> /h	30	50
Combustion air connection Ø	mm	125	125
<b>Heat distribution</b>			
Insert / heating surface	%	40 / 50	40 / 50
Glass (single / double)	%	- / 10	- / 10
Boiler	%	-	-
<b>Cross-section of gratings for max. warm air power</b>			
Supply air	cm <sup>2</sup>	1200	1200
Warm air	cm <sup>2</sup>	1200	1200
<b>Space inside oven chamber</b>			
Distance to oven chamber wall	cm	8	8
Distance to floor	cm	15	15
<b>Heat insulation without / with <sup>3)</sup> air gratings</b>			
Wall	cm	16 / 12	16 / 12
Floor	cm	0	0
Ceiling	cm	28 / 21	28 / 21
Insulation of additional fire door DHT	cm	-	-
Brick lining of protected walls	cm	10	10
<b>Weight</b>			
Fireplace + burning chamber	kg	91 + 55	
<b>meets requirement limit values for</b>			
Germany / Austria / Switzerland / Norway		1.BImSchV (Stufe 2) / 15a BVG / LRV / -	

1) Throttle flap recommended

2) Approximate value, must be calculated eventually

3) Values with air gratings, stove casing is heat conducting

Ulrich Brunner GmbH  
 Zellhuber Ring 17 -18  
 D-84307 Eggenfelden  
 Phone: +49 / (0)87 21 / 7 71-0  
 Fax: +49 / (0)87 21 / 7 71-100  
 info@brunner.de | www.brunner.de



BRUNNER products are offered and sold only by qualified dealers and service centres.  
 Subject to technical and assortment changes. Errors excepted. (08/12)