

## BRUNNER TILE STOVES



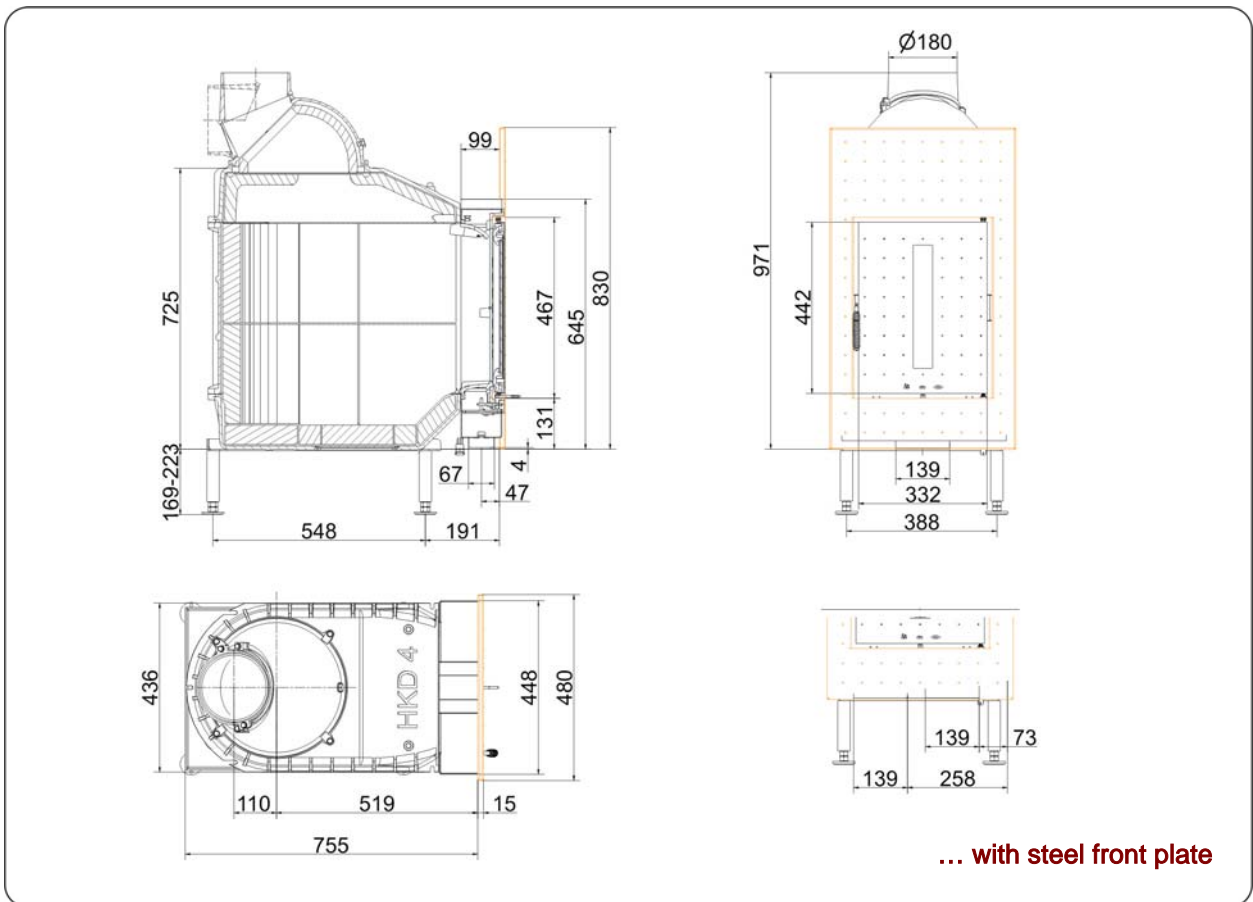
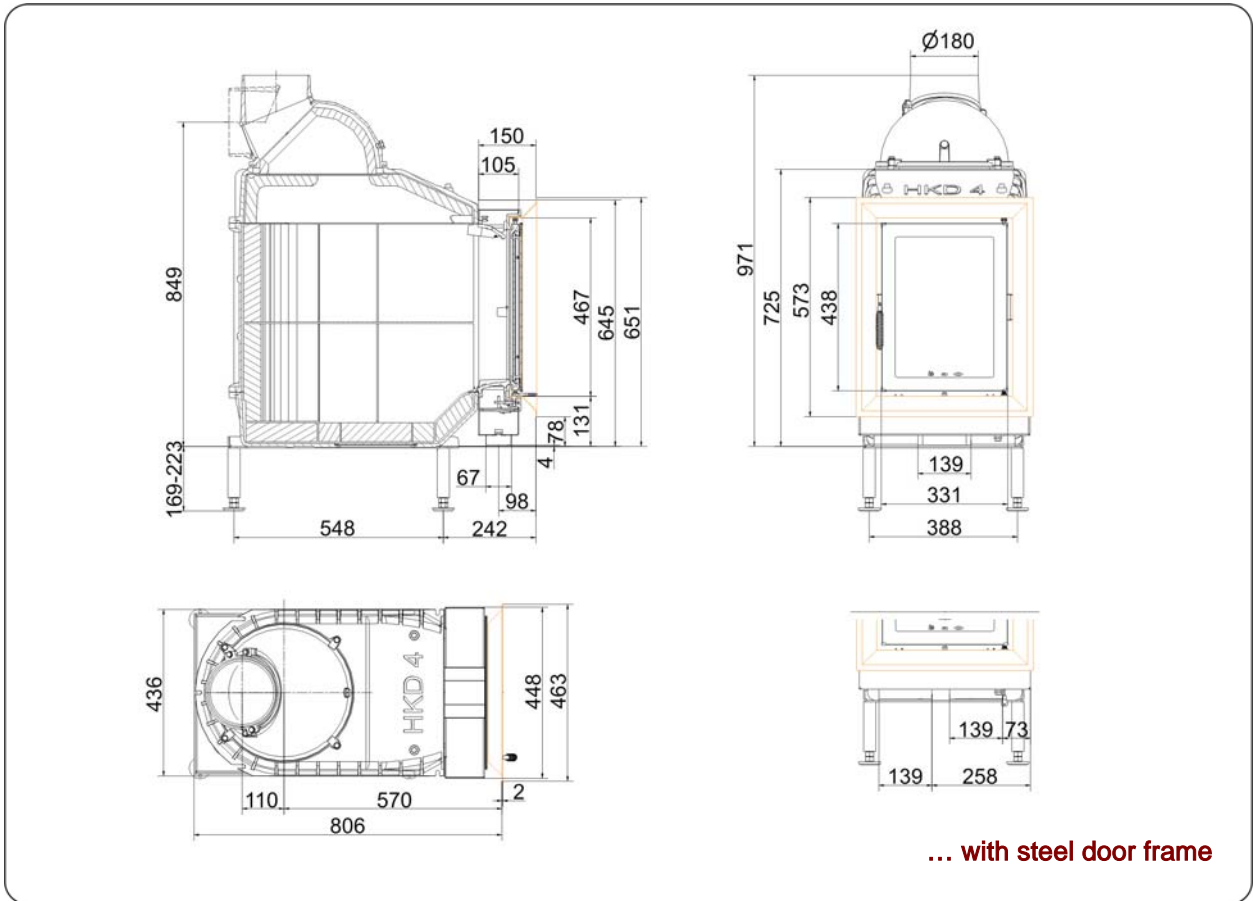
### HKD 4.1

State: 08.11.2012



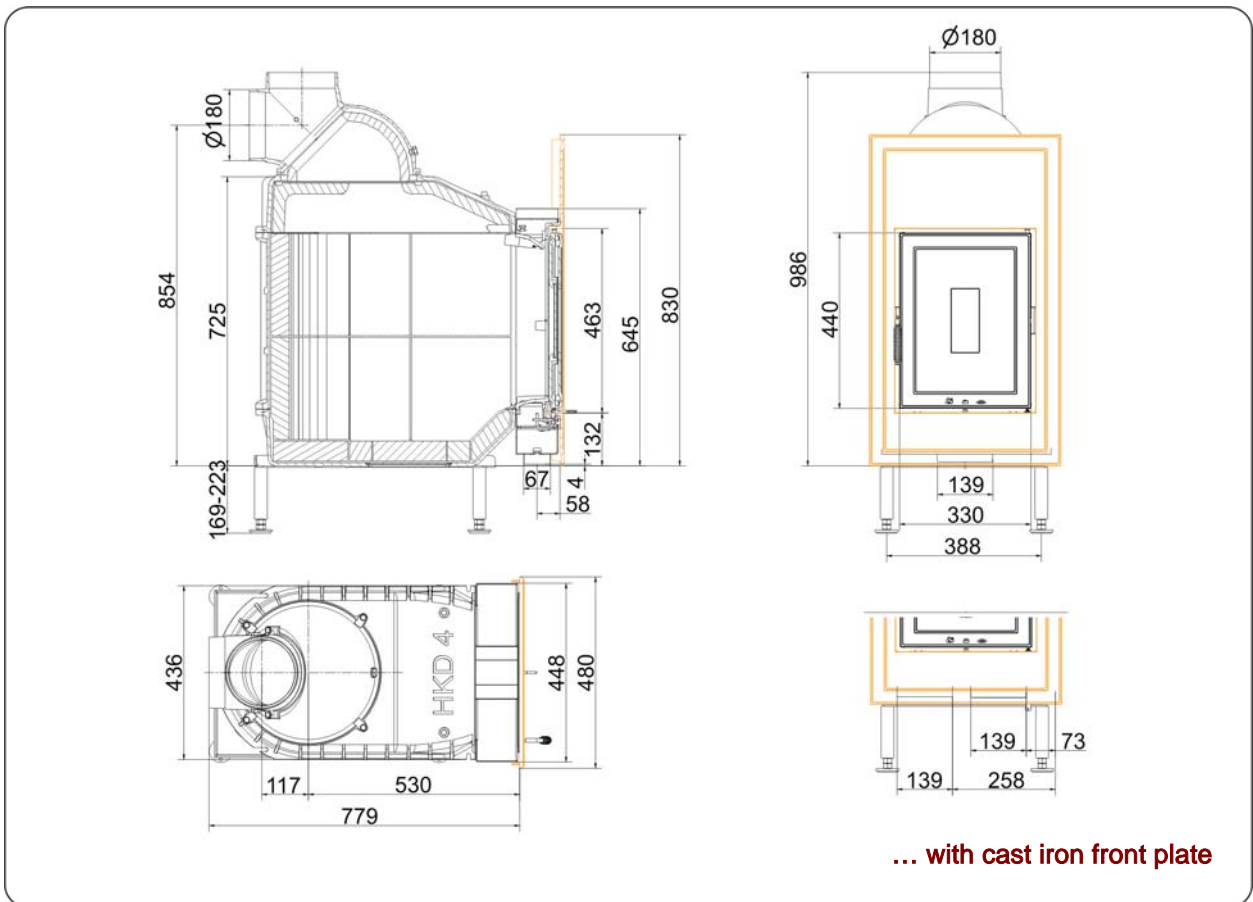
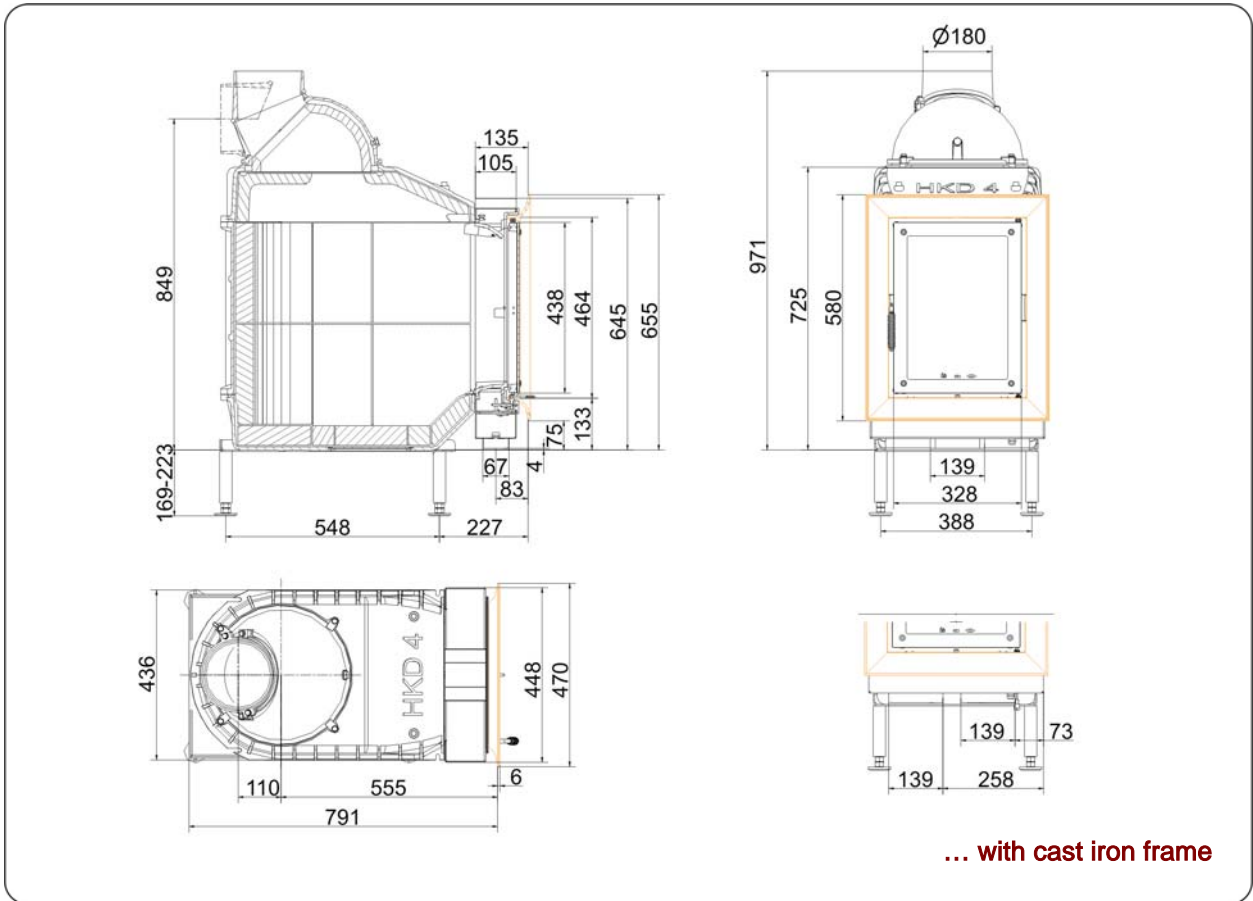
**BRUNNER**<sup>®</sup>  
*made in germany*

Dimension sheet | **HKD 4.1**

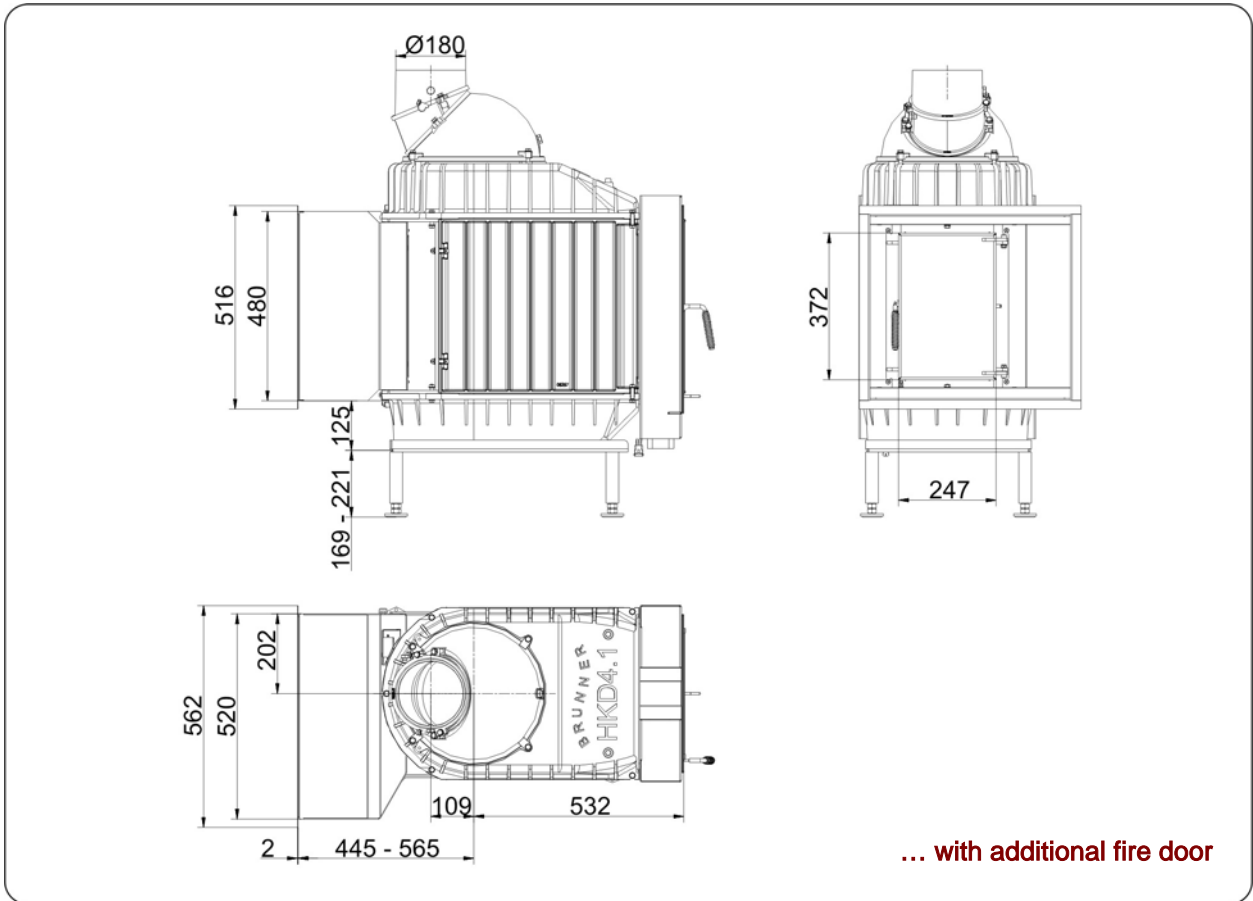


We suggest for CAD planing Palette CAD. Permanent updated drawings: [www.brunner.de](http://www.brunner.de)  
 Frames / front versions are marked colored.

Dimension sheet | **HKD 4.1**



Dimension sheet | **HKD 4.1**



# Planning and installation

## HKD 4.1

Tested according to		EN 13229 W	EN 13229 WA
Values measured at		nominal load	accumulation
Suitable for all construction types according to rules		OK	OK
<b>Data for functional demonstration</b>			
Rated heat power	kW	11	-
Firewood consumption	kg/h	3	5,5
Combustion performance	kW	13	23
Flue gas mass flow	g/s	13	20
Outlet temperature (before heating surface)	°C	510	620
Flue gas temperature after			
attached steel smoke hood	°C	-	-
2 x adjoining cast iron radiator (GNF10)	°C	140	160
accumulation rings (MAS) <sup>1)</sup>	°C	-	-
7 m adjoining ceramic accumulator <sup>2)</sup>	°C	-	-
6 m ceramic modular accumulator (KMS system)	°C	-	190
water boiler	°C	-	-
Necessary supply pressure	Pa	15	15
Combustion air consumption	m <sup>3</sup> /h	35	50
Combustion air connection Ø	mm	125	125
<b>Heat distribution</b>			
Insert / heating surface	%	45 / 45	45 / 45
Glass (single / double)	%	- / 10	- / 10
Boiler	%	-	-
<b>Cross-section of gratings for max. warm air power</b>			
Supply air	cm <sup>2</sup>	2000	2000
Warm air	cm <sup>2</sup>	2000	2000
<b>Space inside oven chamber</b>			
Distance to oven chamber wall	cm	8	8
Distance to floor	cm	15	15
<b>Heat insulation without / with <sup>3)</sup> air gratings</b>			
Wall	cm	12 / 9	12 / 9
Floor	cm	0	0
Ceiling	cm	25 / 18	25 / 18
Insulation of additional fire door DHT	cm	6	6
Brick lining of protected walls	cm	10	10
<b>Weight</b>			
Fireplace + burning chamber	kg	145 + 96	
<b>meets requirement limit values for</b>			
Germany / Austria / Switzerland / Norway		1.BImSchV (Stufe 2) / 15a BVG / LRV / -	

1) Throttle flap recommended

2) Approximate value, must be calculated eventually

3) Values with air gratings, stove casing is heat conducting

Ulrich Brunner GmbH  
 Zellhuber Ring 17 -18  
 D-84307 Eggenfelden  
 Phone: +49 / (0)87 21 / 7 71-0  
 Fax: +49 / (0)87 21 / 7 71-100  
 info@brunner.de | www.brunner.de



BRUNNER products are offered and sold only by qualified dealers and service centres.  
 Subject to technical and assortment changes. Errors excepted. (11/12)