

BRUNNER TILE STOVES



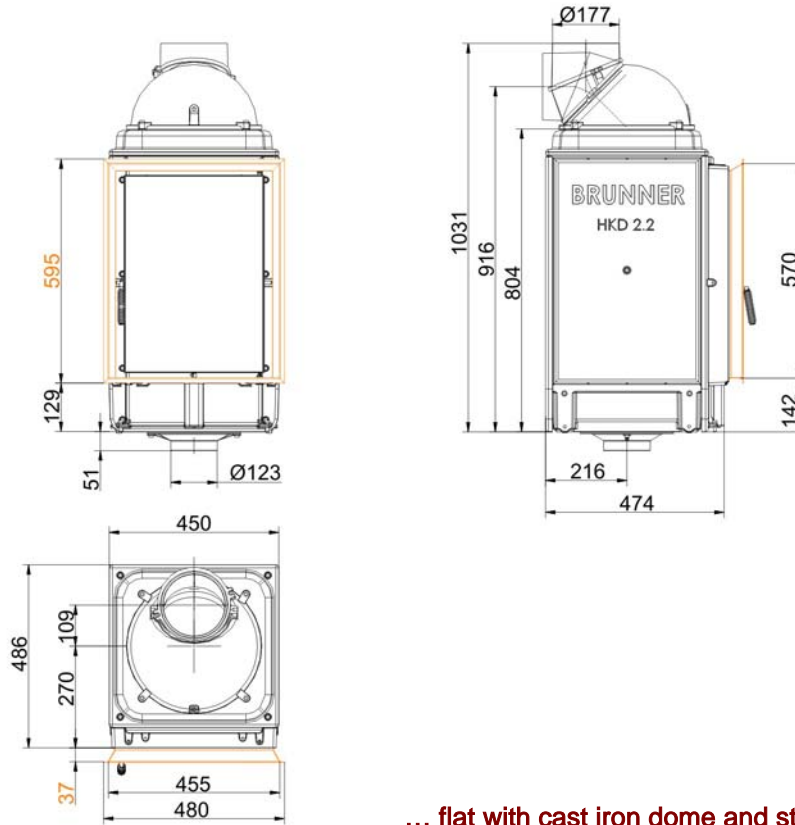
HKD 2.2

State: 30.08.2012

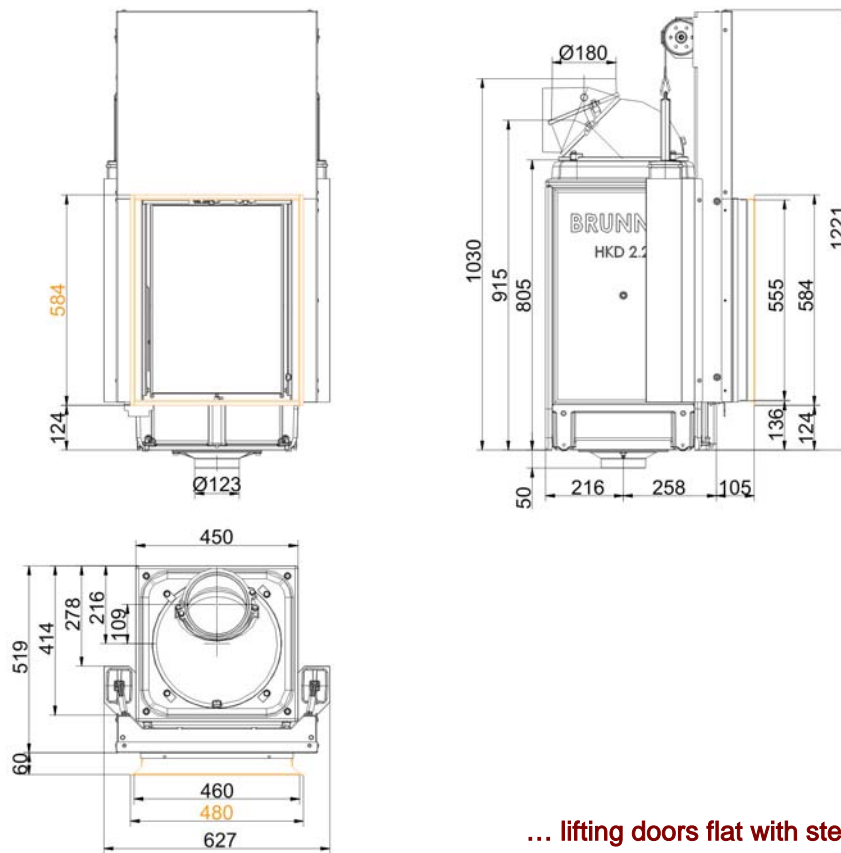


BRUNNER[®]
made in germany

Dimension sheet | **HKD 2.2**

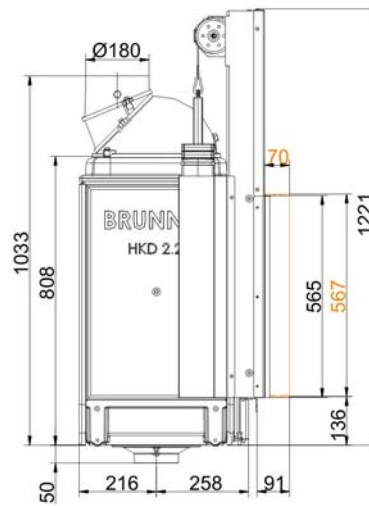
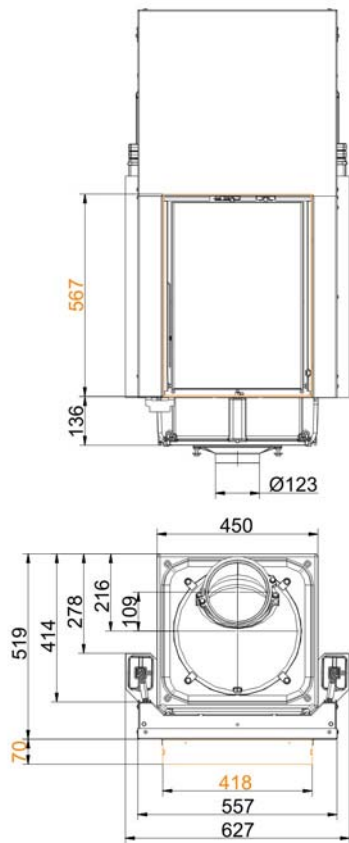


... flat with cast iron dome and steel door frame

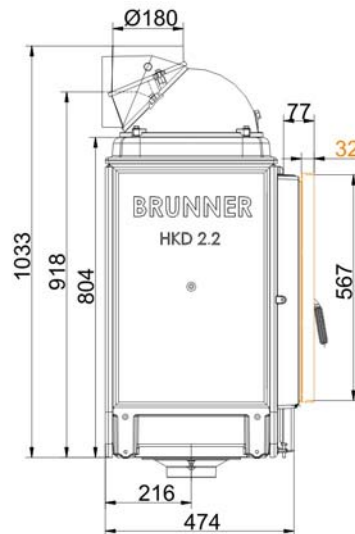


... lifting doors flat with steel door frame

Dimension sheet | **HKD 2.2**

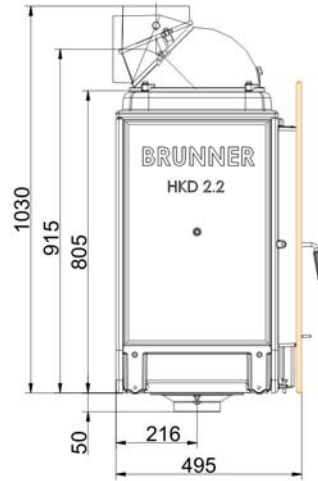
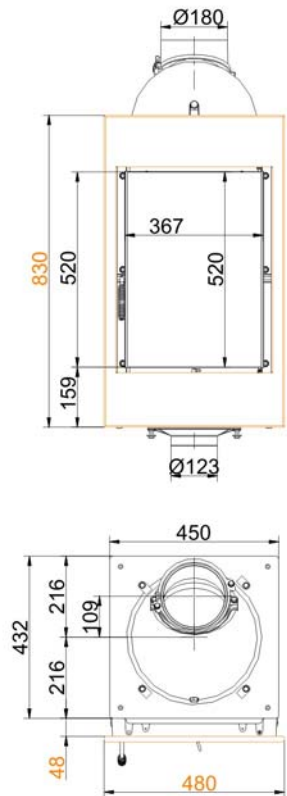


... flat with lifting door and 70 mm mounting frame

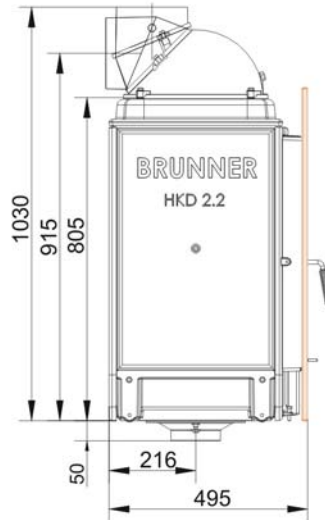
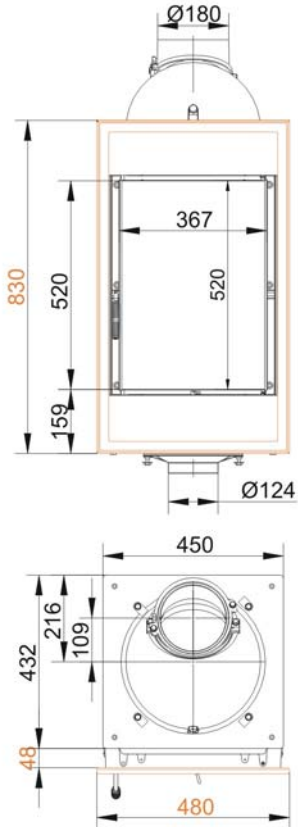


... flat with side opening door and 70 mm mounting frame

Dimension sheet | **HKD 2.2**

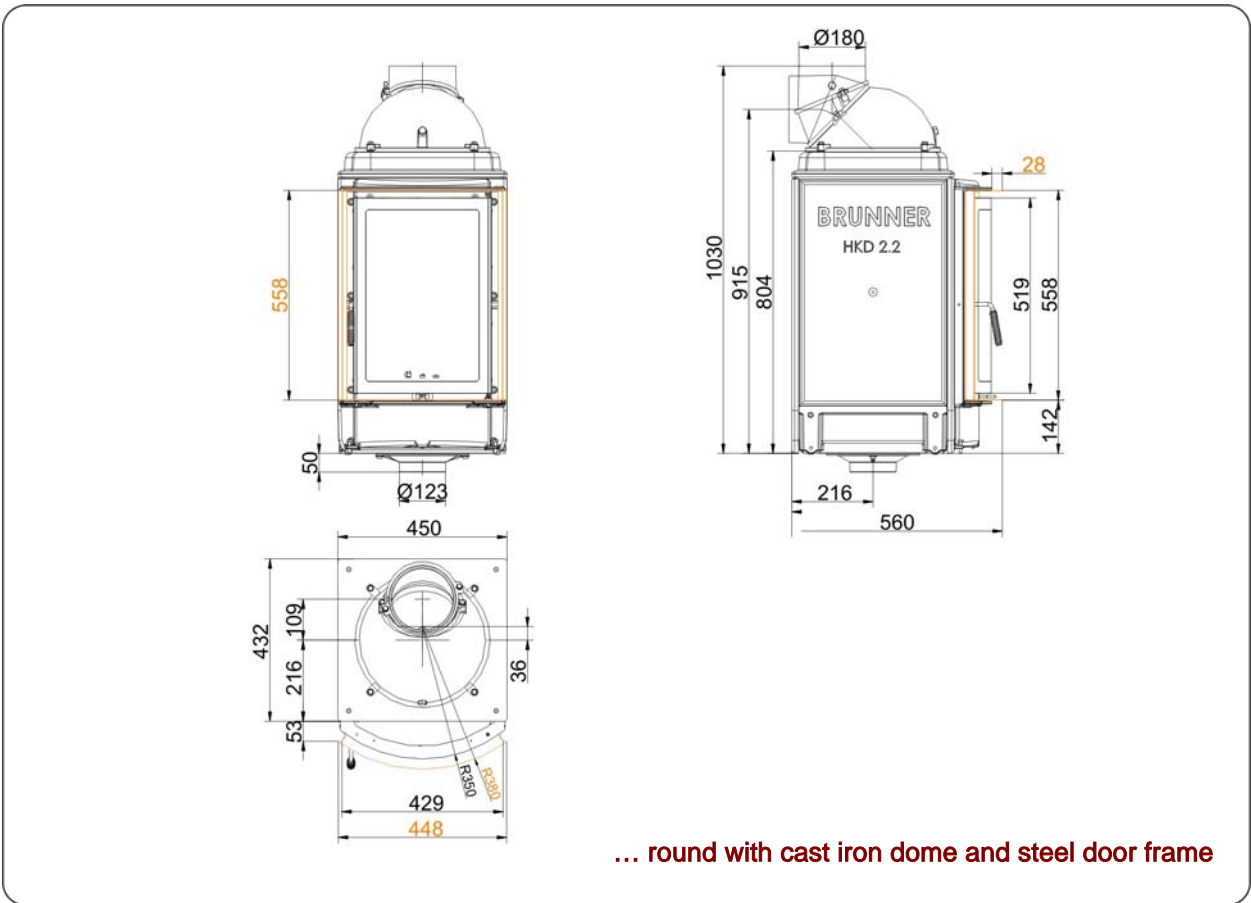
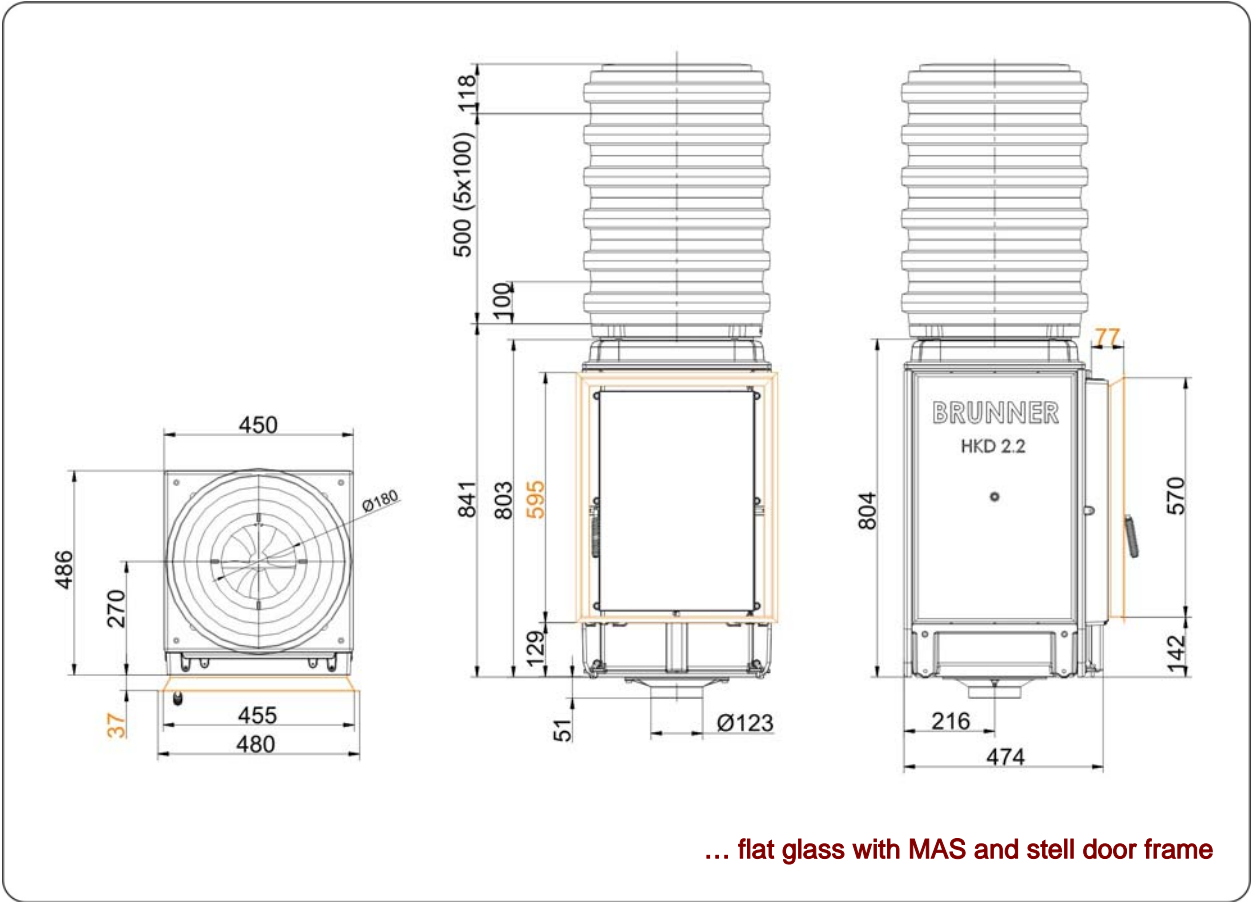


... flat with cast iron dome and steel front plate



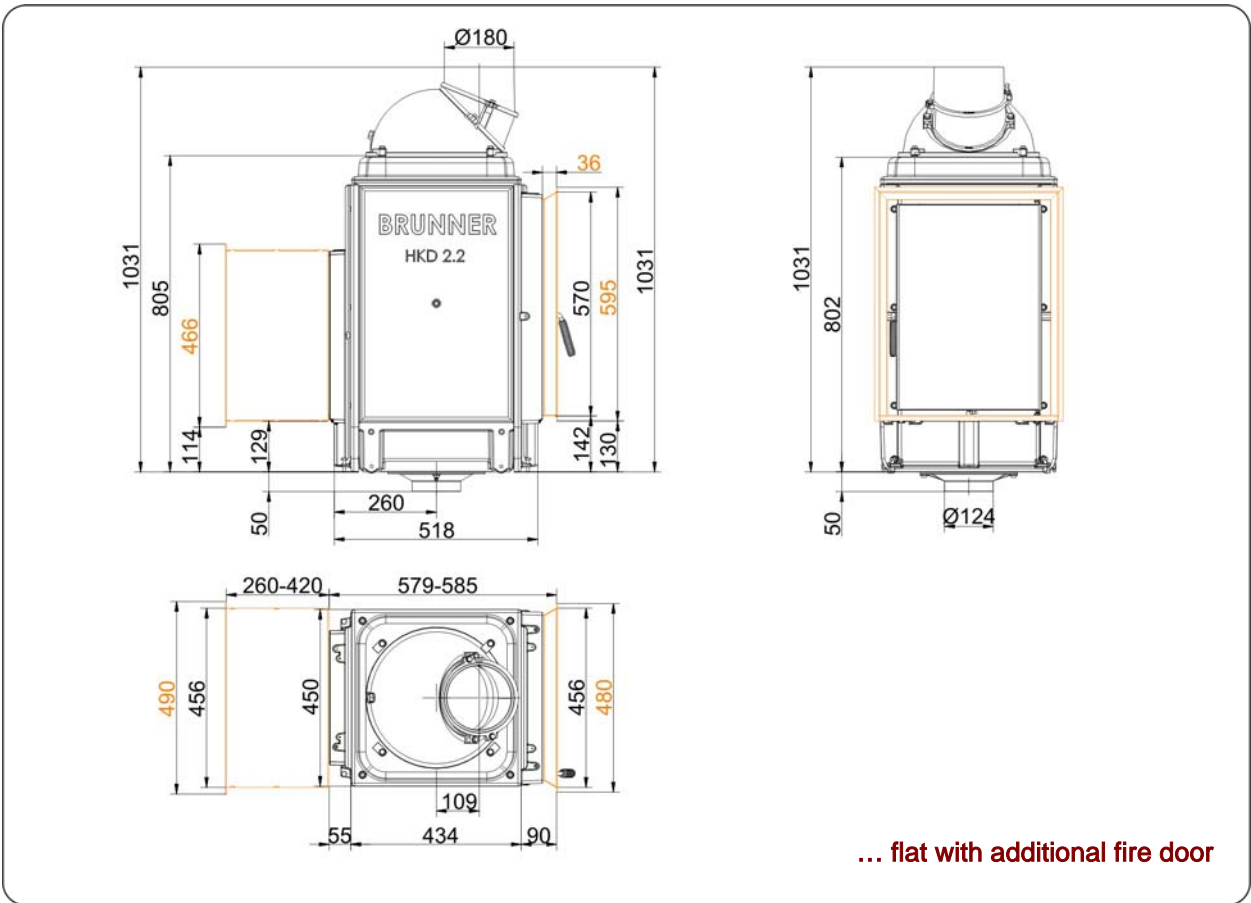
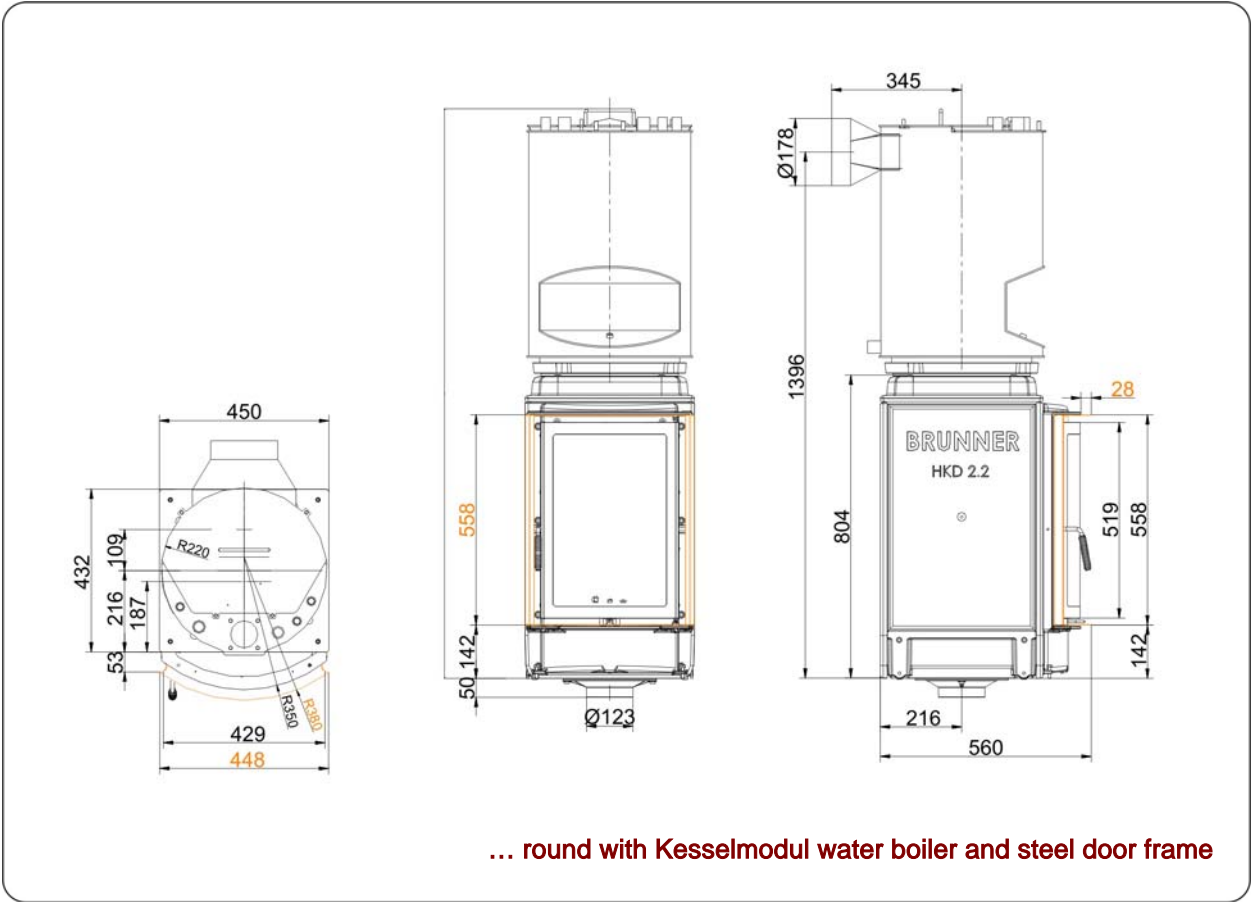
... flat with with cast iron dome and cast iron front plate

Dimension sheet | **HKD 2.2**

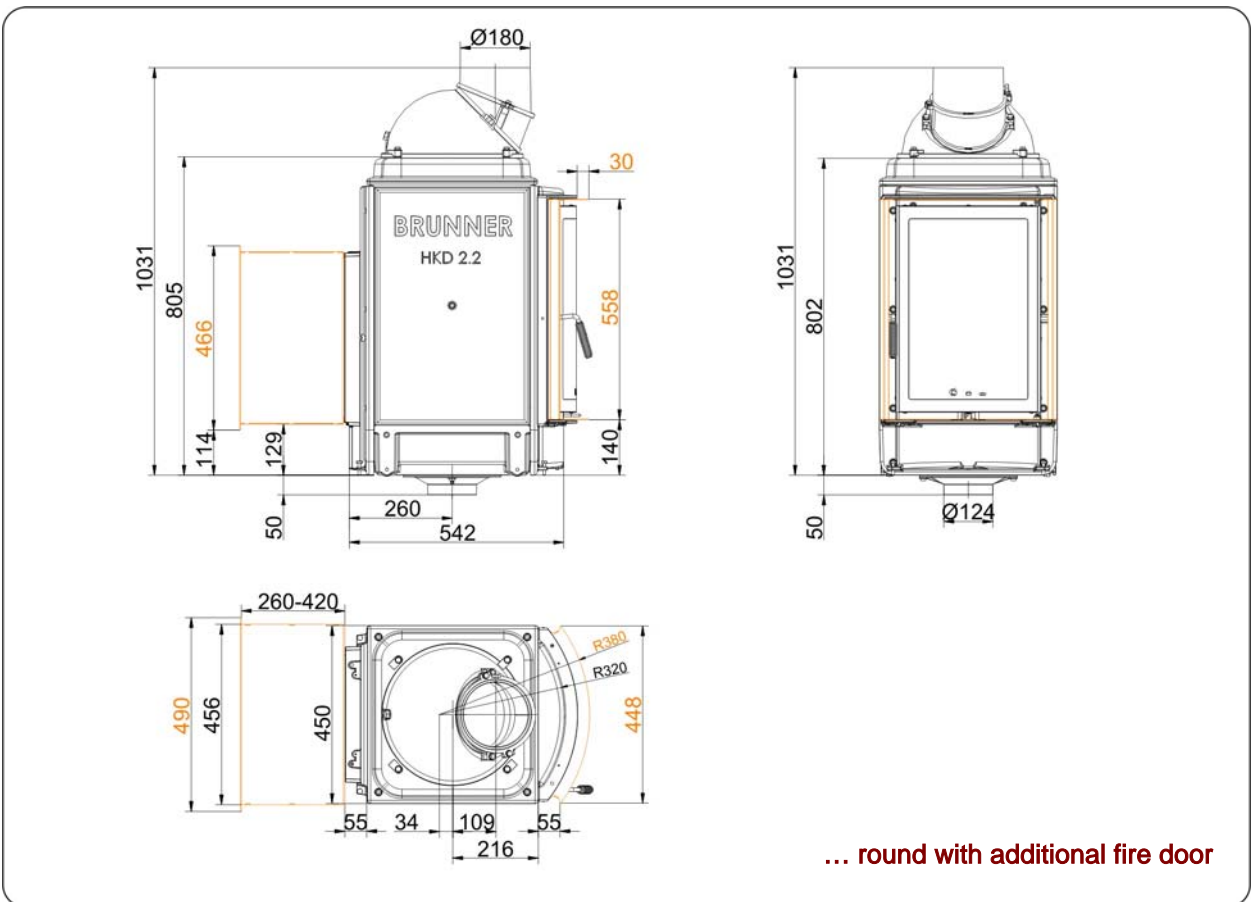
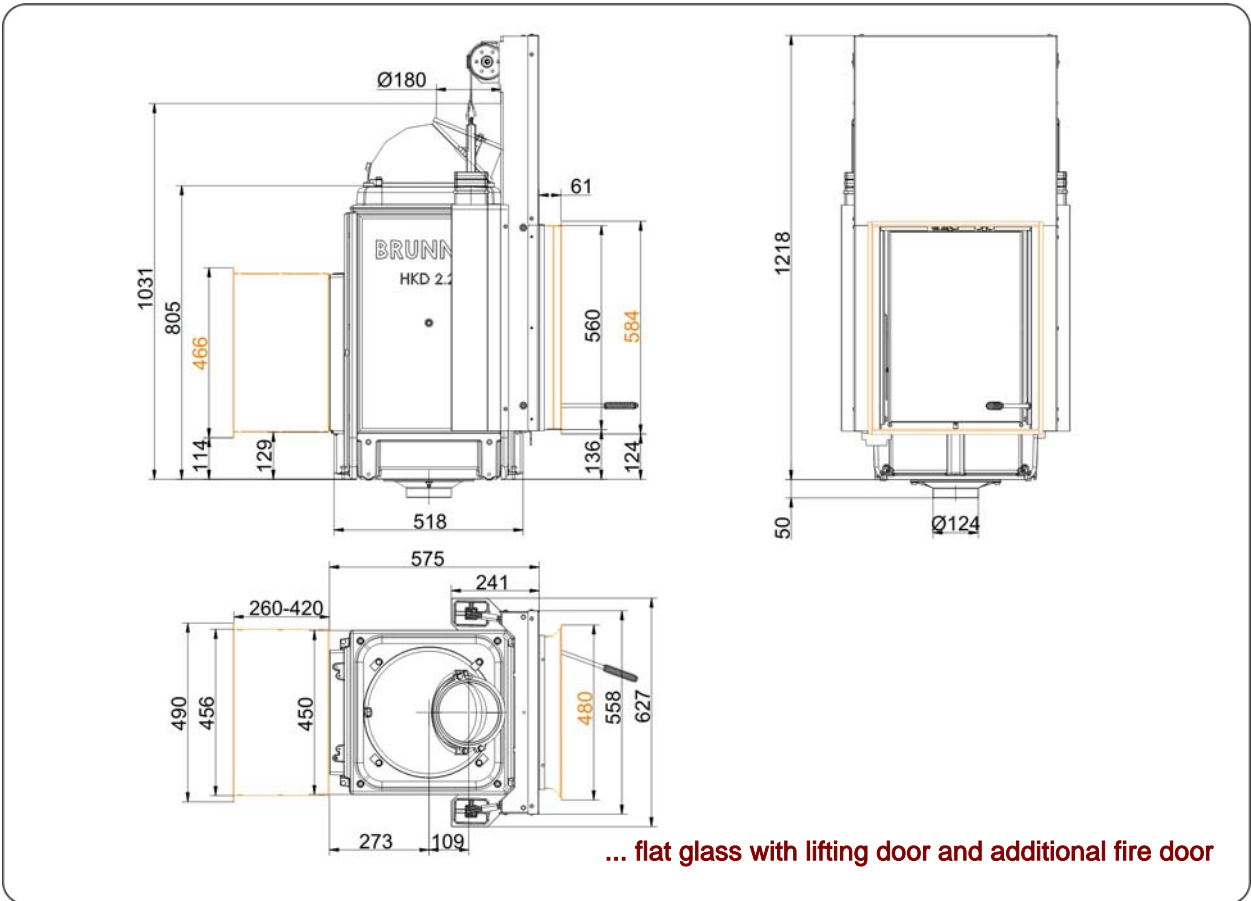


We suggest for CAD planing Palette CAD. Permanent updated drawings: www.brunner.de
 Frames / front versions are marked colored.

Dimension sheet | **HKD 2.2**



Dimension sheet | **HKD 2.2**



We suggest for CAD planing Palette CAD. Permanent updated drawings: www.brunner.de
 Frames / front versions are marked colored.

Planning and installation

HKD 2.2

Tested according to		EN 13229 W	EN 13229 WA
Values measured at		nominal load	accumulation
Suitable for all construction types according to rules		OK	OK
Data for functional demonstration			
Rated heat power	kW	9	-
Firewood consumption	kg/h	2,5	4
Combustion performance	kW	11	17
Flue gas mass flow	g/s	10	17
Outlet temperature (before heating surface)	°C	495	520
Flue gas temperature after			
attached steel smoke hood	°C	-	-
1 x adjoining cast iron radiator (GNF10)	°C	122	165
6 x accumulation rings (MAS) ¹⁾	°C	220	-
4,5 m adjoining ceramic accumulator ²⁾	°C	-	180
3,5 m ceramic modular accumulator (KMS system)	°C	-	180
water boiler	°C	210	-
Necessary supply pressure	Pa	12	15
Combustion air consumption	m ³ /h	25	45
Combustion air connection Ø	mm	125	125
Heat distribution			
Insert / heating surface	%	45 / 30 - 35	45 / 30 - 35
Glass (single / double)	%	25 / 20	25 / 20
Boiler	%	-	-
Cross-section of gratings for max. warm air power			
Supply air	cm ²	1300	1300
Warm air	cm ²	1300	1300
Space inside oven chamber			
Distance to oven chamber wall	cm	6	6
Distance to floor	cm	15	15
Heat insulation without / with ³⁾ air gratings			
Wall	cm	12 / 8	12 / 8
Floor	cm	0	0
Ceiling	cm	22 / 16	22 / 16
Insulation of additional fire door DHT	cm	6	6
Brick lining of protected walls	cm	10	10
Weight			
Fireplace + burning chamber	kg	207 + 58	
meets requirement limit values for			
Germany / Austria / Switzerland / Norway		1.BImSchV (Stufe 2) / 15a BVG / LRV / -	

- 1) Throttle flap recommended
- 2) Approximate value, must be calculated eventually
- 3) Values with air gratings, stove casing is heat conducting

Ulrich Brunner GmbH
 Zellhuber Ring 17 -18
 D-84307 Eggenfelden
 Phone: +49 / (0)87 21 / 7 71-0
 Fax: +49 / (0)87 21 / 7 71-100
 info@brunner.de | www.brunner.de



BRUNNER products are offered and sold only by qualified dealers and service centres.
 Subject to technical and assortment changes. Errors excepted. (08/12)