



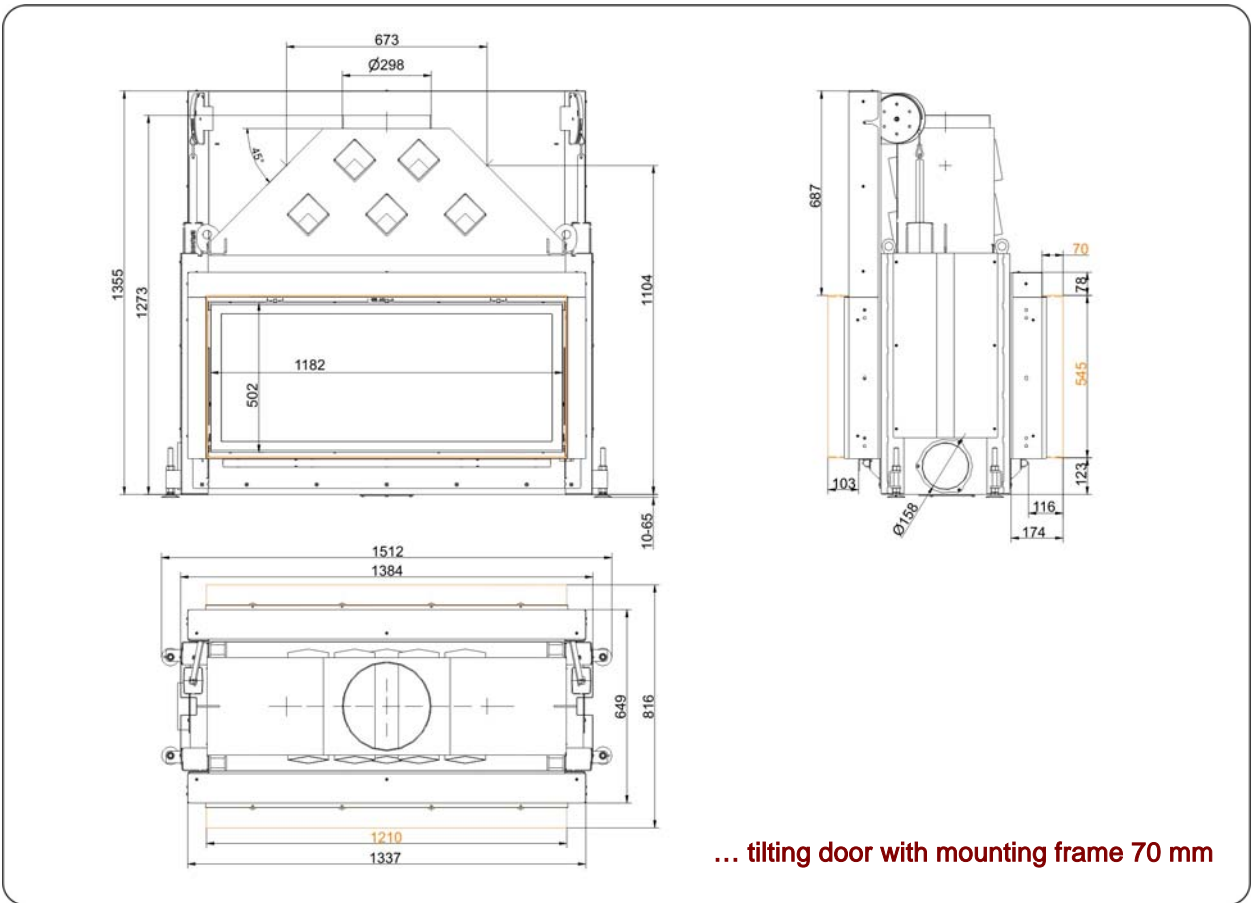
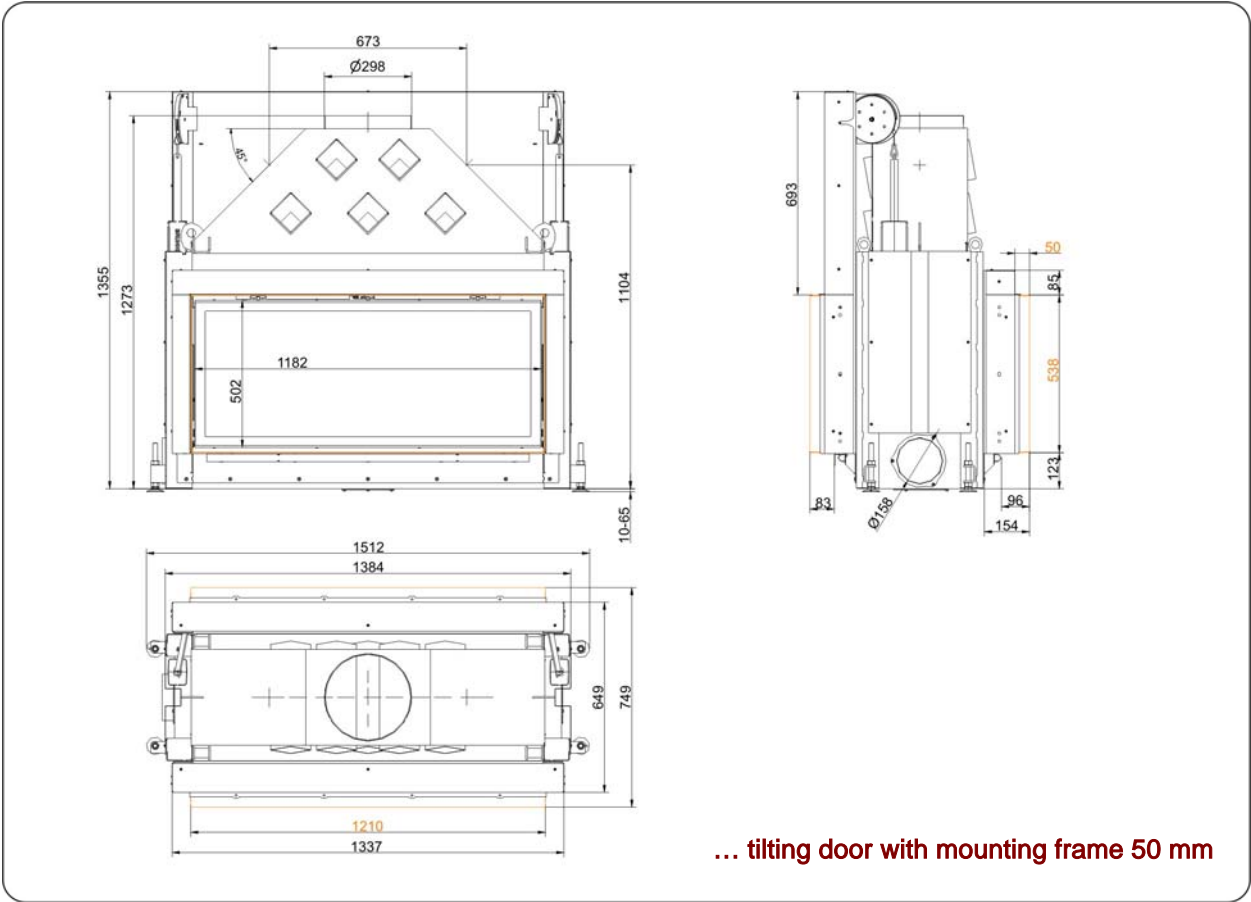
Architektur-Tunnel 53/121 lifting doors

State: 31.08.2012



BRUNNER[®]
made in germany

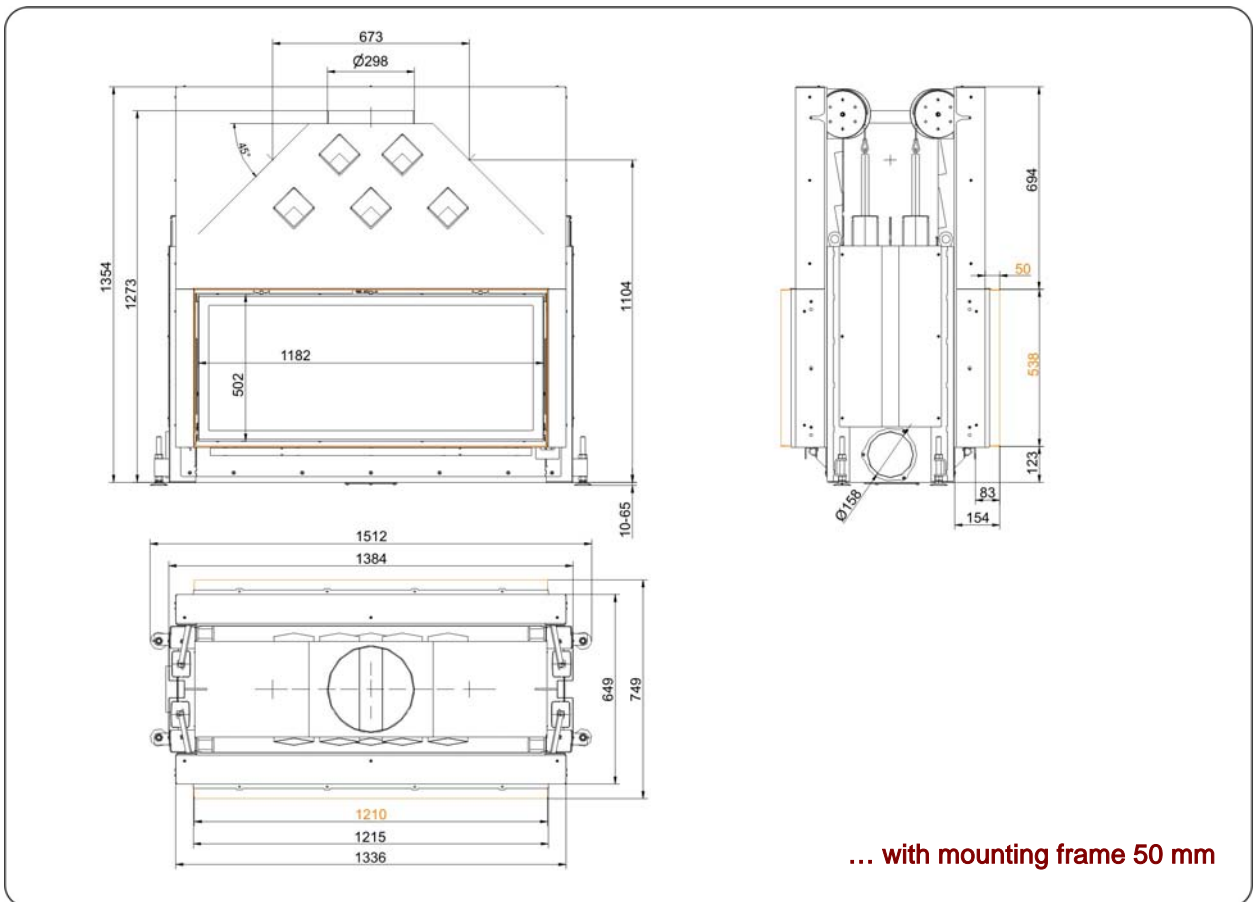
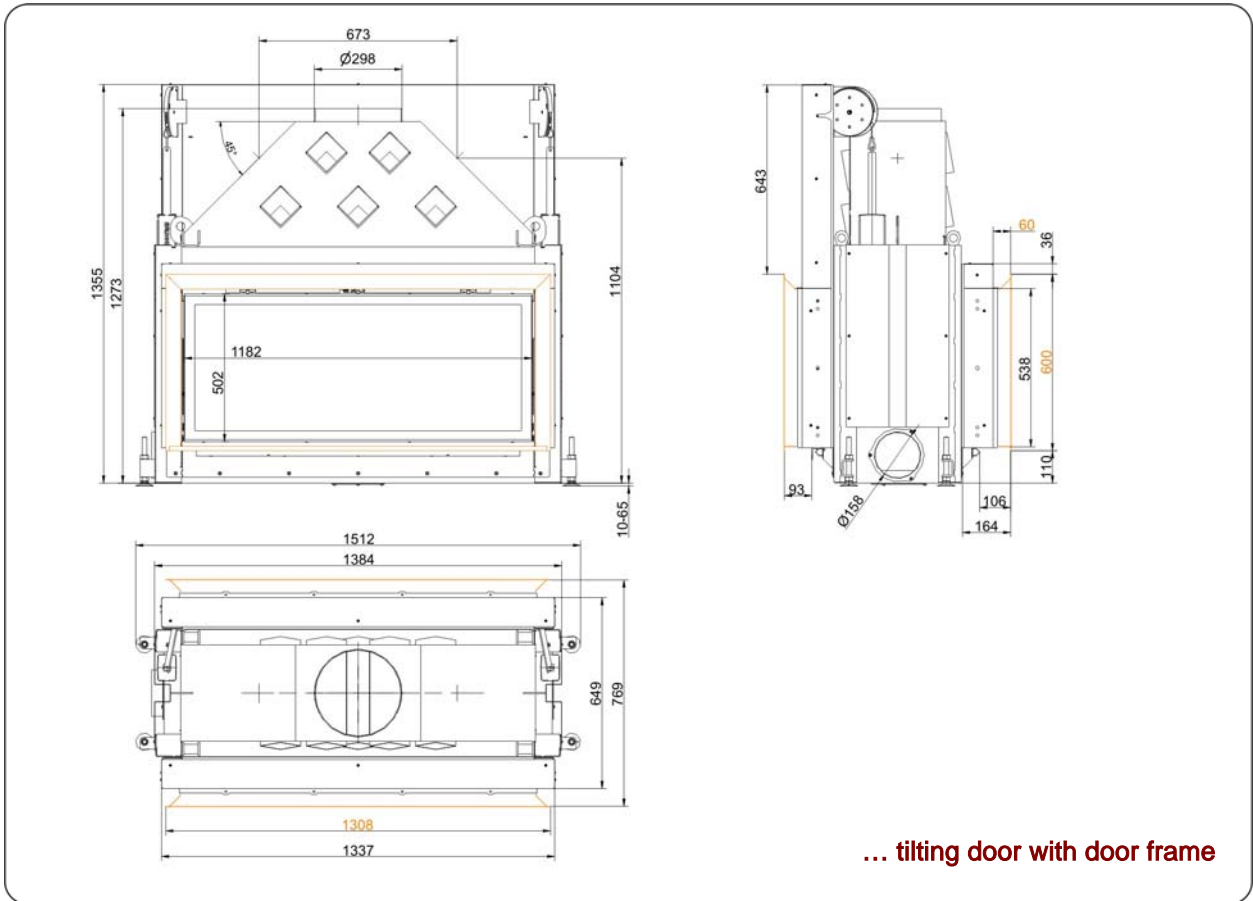
Dimension sheet | **Architektur-Tunnel 53/121 lifting doors**



We suggest for CAD planing Palette CAD. Permanent updated drawings: www.brunner.de

Frames / front versions are marked colored. Smoke pipe adapter fixed on the side is available against surcharge.

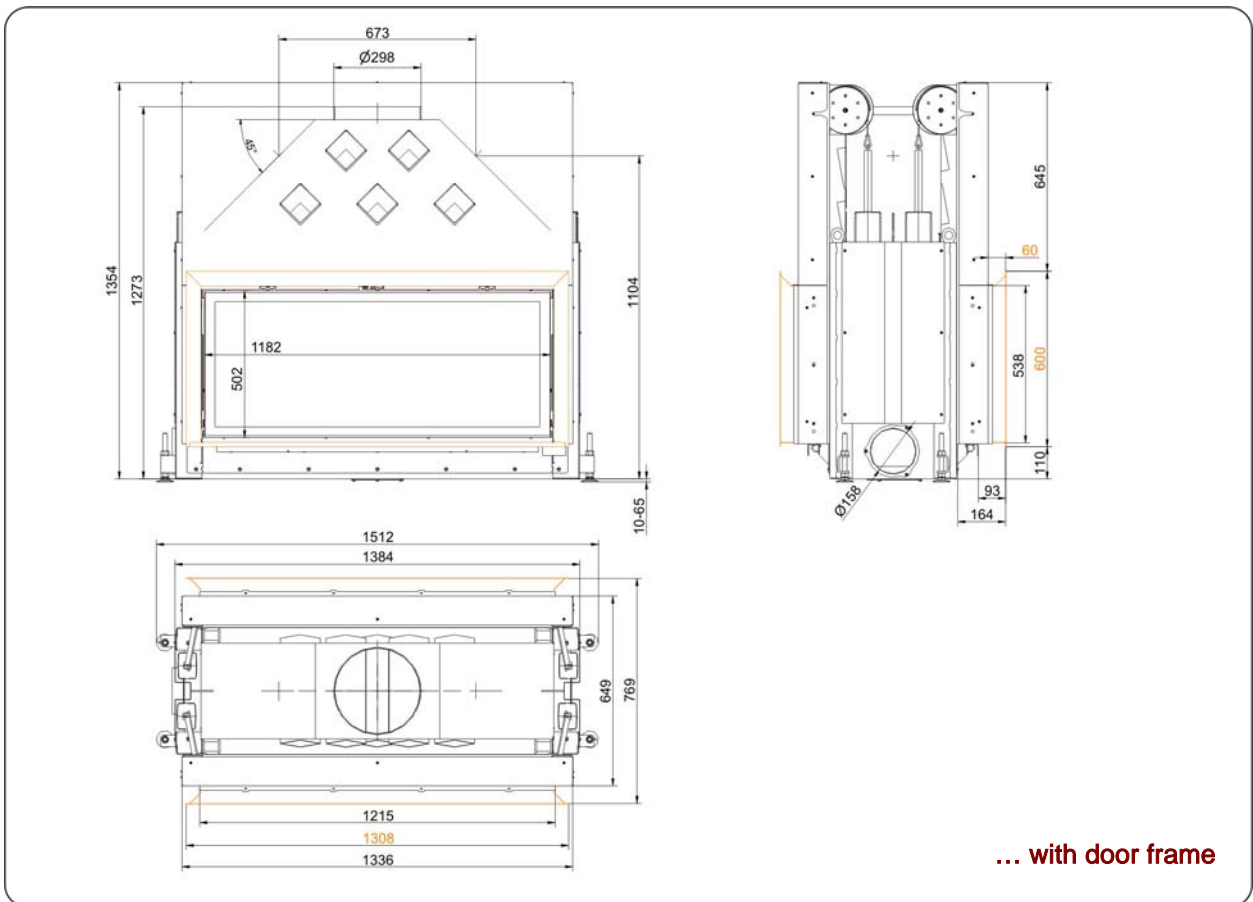
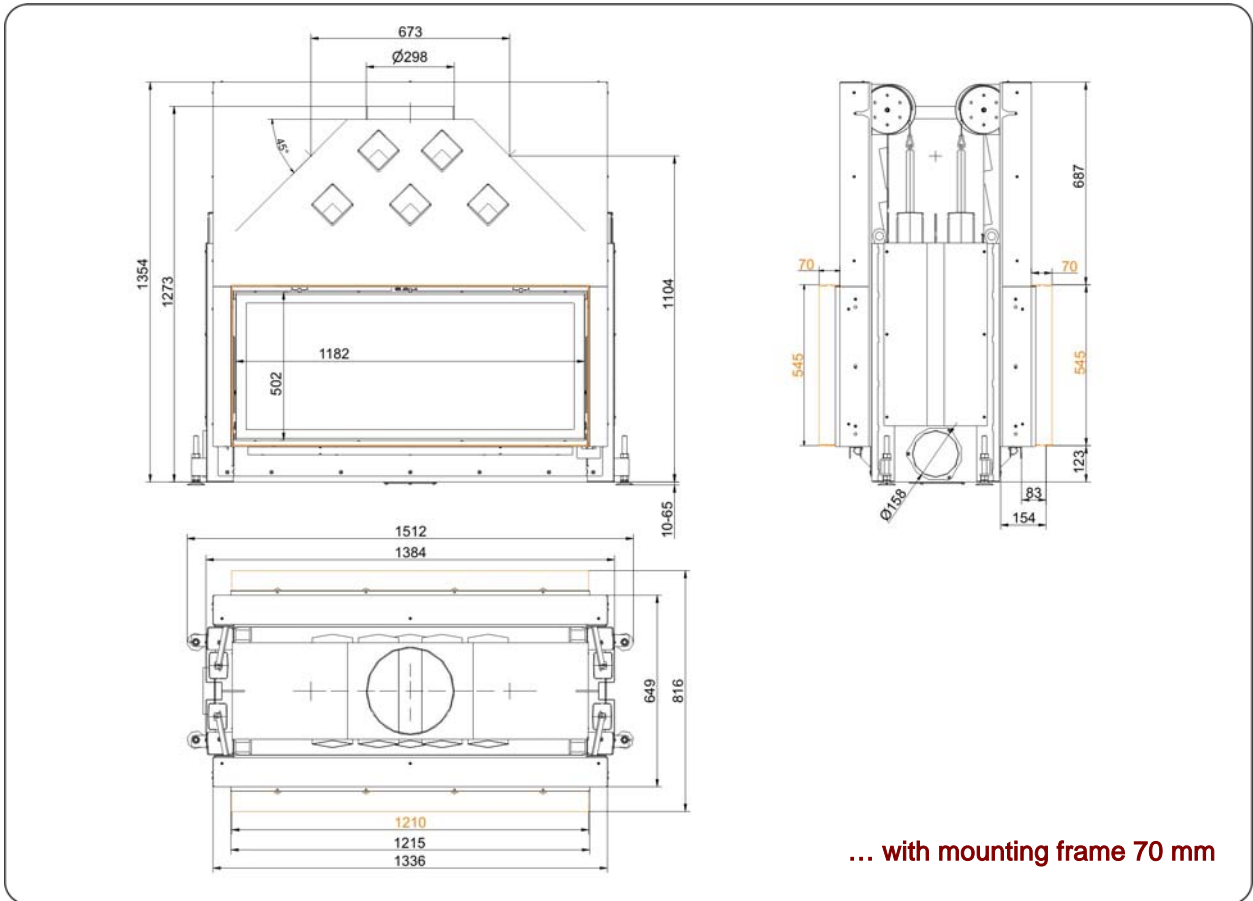
Dimension sheet | **Architektur-Tunnel 53/121 lifting doors**



We suggest for CAD planing Palette CAD. Permanent updated drawings: www.brunner.de

Frames / front versions are marked colored. Smoke pipe adapter fixed on the side is available against surcharge.

Dimension sheet | **Architektur-Tunnel 53/121 lifting doors**



We suggest for CAD planing Palette CAD. Permanent updated drawings: www.brunner.de

Frames / front versions are marked colored. Smoke pipe adapter fixed on the side is available against surcharge.

Planning and installation

Architektur-Tunnel 53/121

Tested according to	EN 13229 W	EN 13229 W	
Values measured at	nominal load	open door ⁴⁾	
Suitable for all construction types according to rules	OK	OK	
Data for functional demonstration			
Rated heat power	kW	14,5	-
Firewood consumption	kg/h	4,3	4,3
Combustion performance	kW	18	18
Flue gas mass flow	g/s	18	90
Outlet temperature (before heating surface)	°C	-	-
Flue gas temperature after			
attached steel smoke hood	°C	215	105
adjoining cast iron radiator (GNF10)	°C	-	-
accumulation rings (MAS) ¹⁾	°C	-	-
adjoining ceramic accumulator ²⁾	°C	-	-
ceramic modular accumulator (KMS system)	°C	-	-
water boiler	°C	-	-
Necessary supply pressure	Pa	12	6
Combustion air consumption	m ³ /h	45	220
Combustion air connection Ø	mm	160	-
Heat distribution			
Insert / heating surface	%	50 / -	- / -
Glass (single / double)	%	50 / -	- / -
Boiler	%	-	-
Cross-section of gratings for max. warm air power			
Supply air	cm ²	900	0
Warm air	cm ²	900	0
Minimal oven surface for closed construction type			
Surface giving off heat	m ²	4,9	-
Space inside oven chamber			
Distance to oven chamber wall	cm	8	8
Distance to floor	cm	-	-
Heat insulation without / with ³⁾ air gratings			
Wall	cm	16 / 12	16 / 12
Floor	cm	4 / 2	4 / 2
Ceiling	cm	25 / 18	25 / 18
Insulation of additional fire door DHT	cm	-	-
Brick lining of protected walls	cm	10	10
Weight			
Fireplace + burning chamber	kg	360 + 86	
meets requirement limit values for			
Germany / Austria / Switzerland / Norway		1.BlmSchV (Stufe 1) / 15a BVG / LRV / -	

1) Throttle flap recommended

2) Approximate value, must be calculated eventually

3) Values with air gratings, stove casing is heat conducting

4) limited to one side opening

Ulrich Brunner GmbH
Zellhuber Ring 17 -18
D-84307 Eggenfelden
Phone: +49 / (0)87 21 / 7 71-0
Fax: +49 / (0)87 21 / 7 71-100
info@brunner.de | www.brunner.de



BRUNNER products are offered and sold only by qualified dealers and service centres.
Subject to technical and assortment changes. Errors excepted. (08/12)