



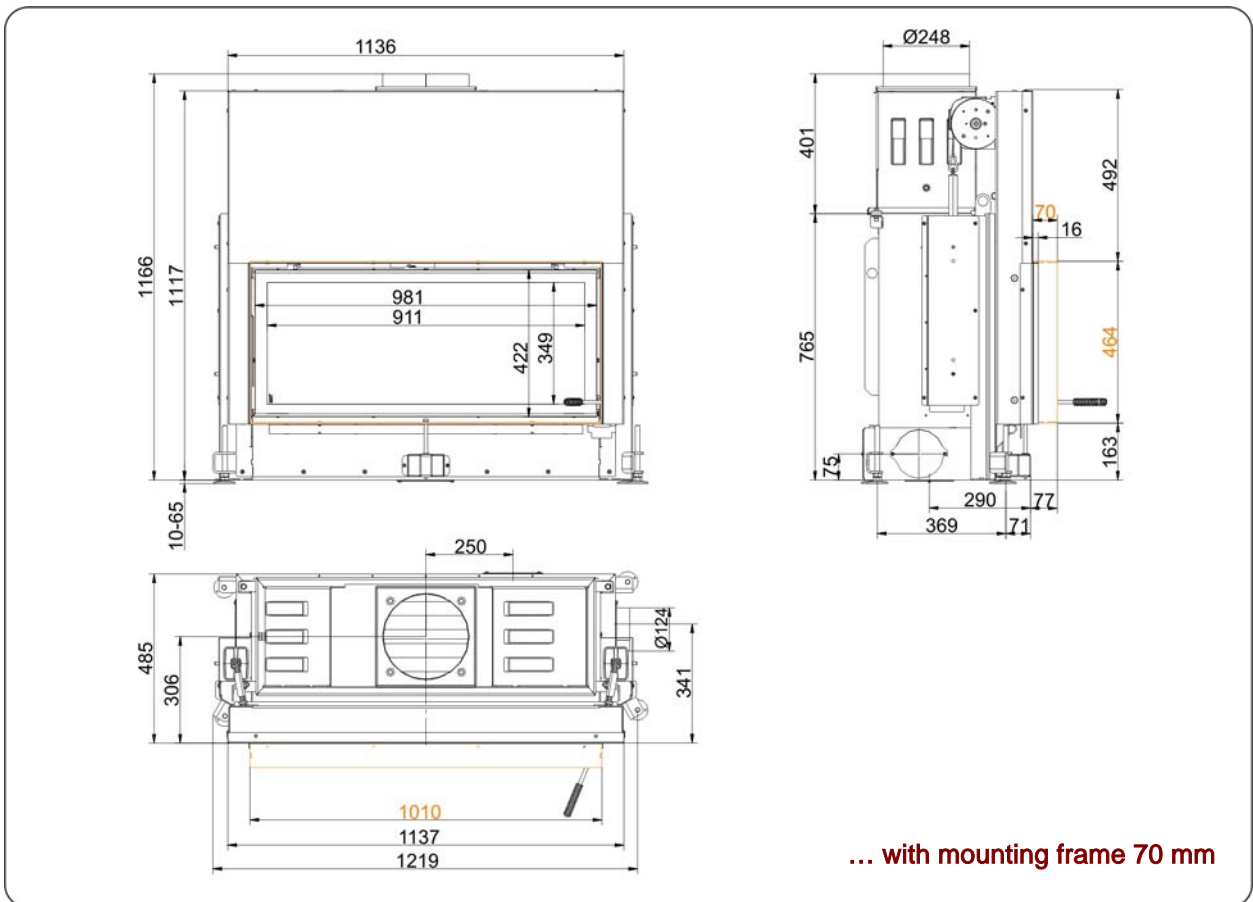
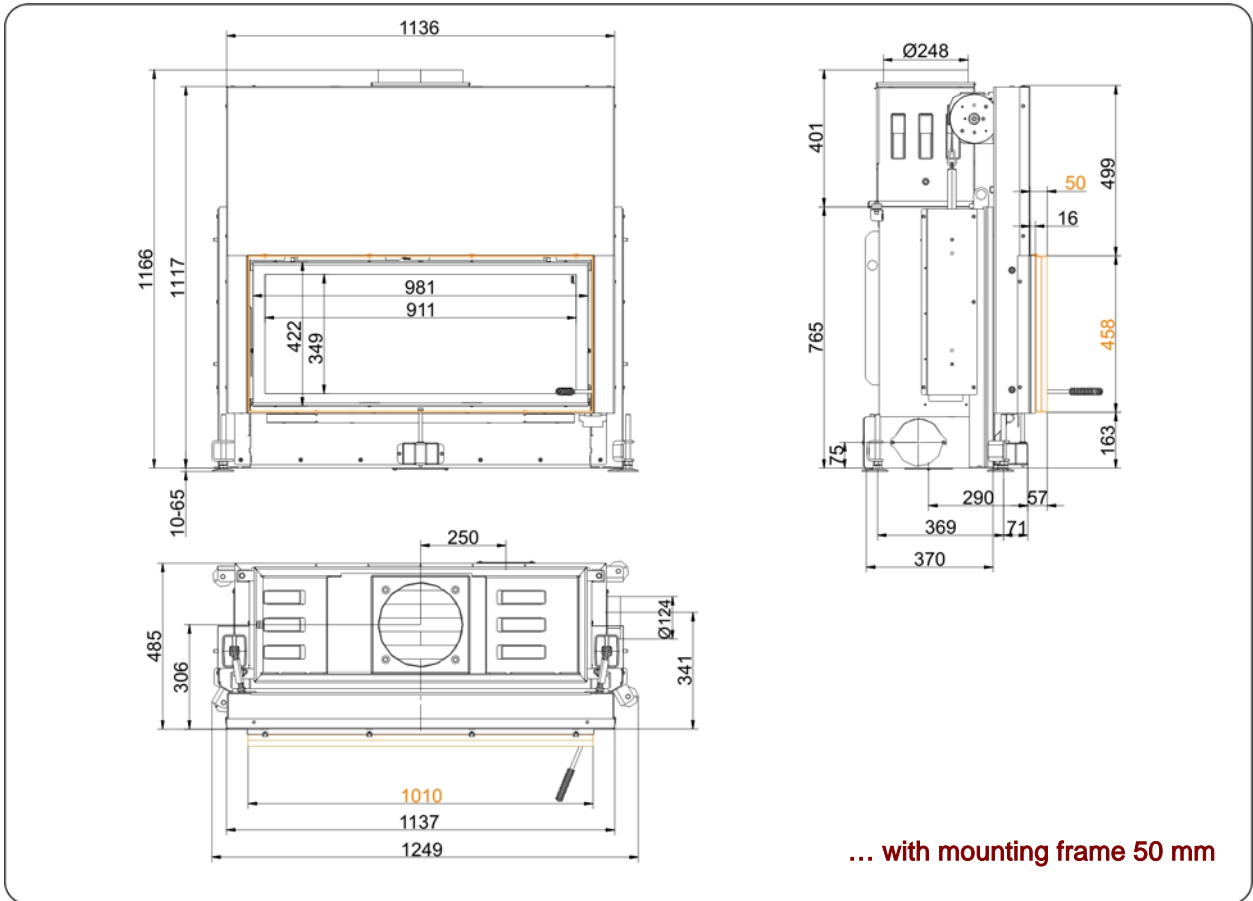
Architektur 45/101 lifting doors

State: 30.08.2012



BRUNNER[®]
made in germany

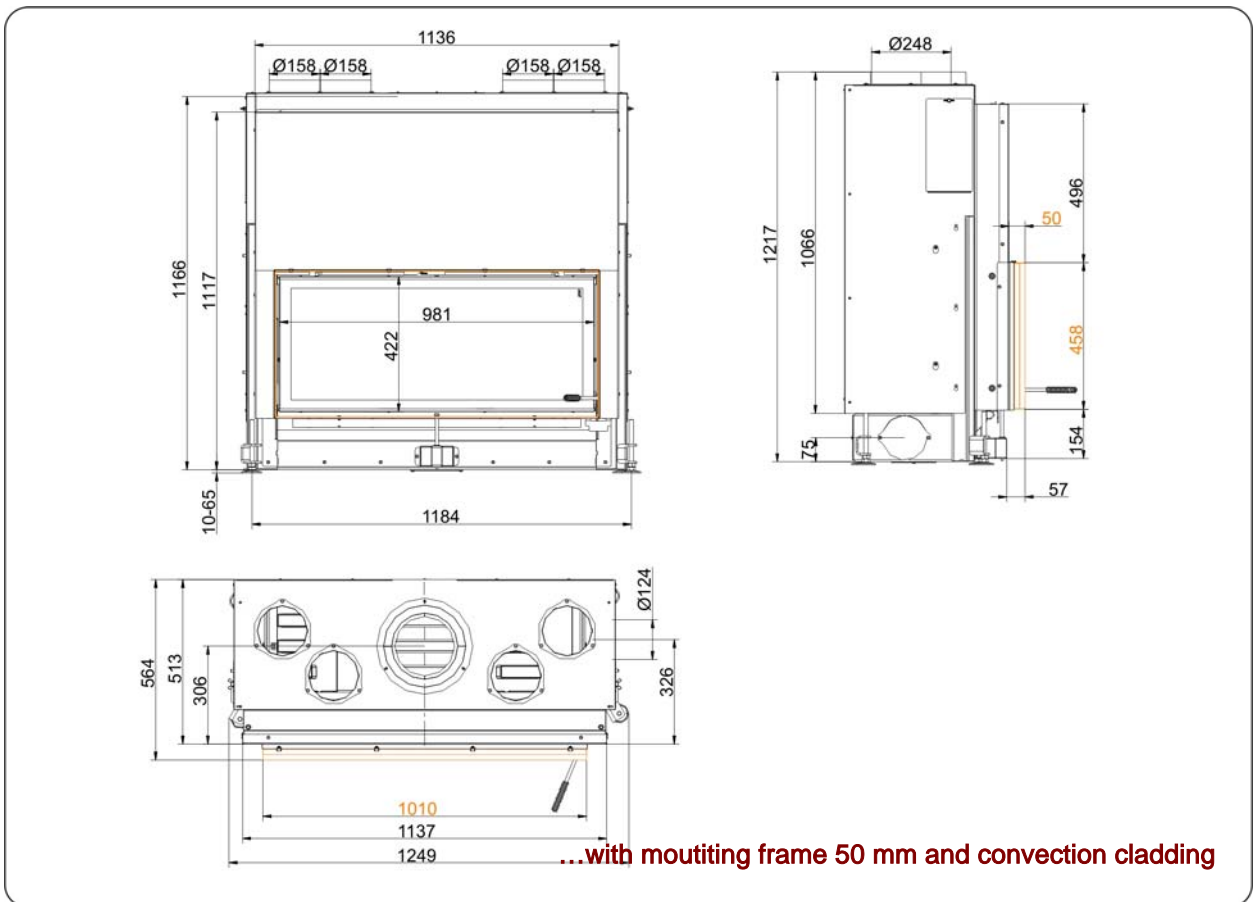
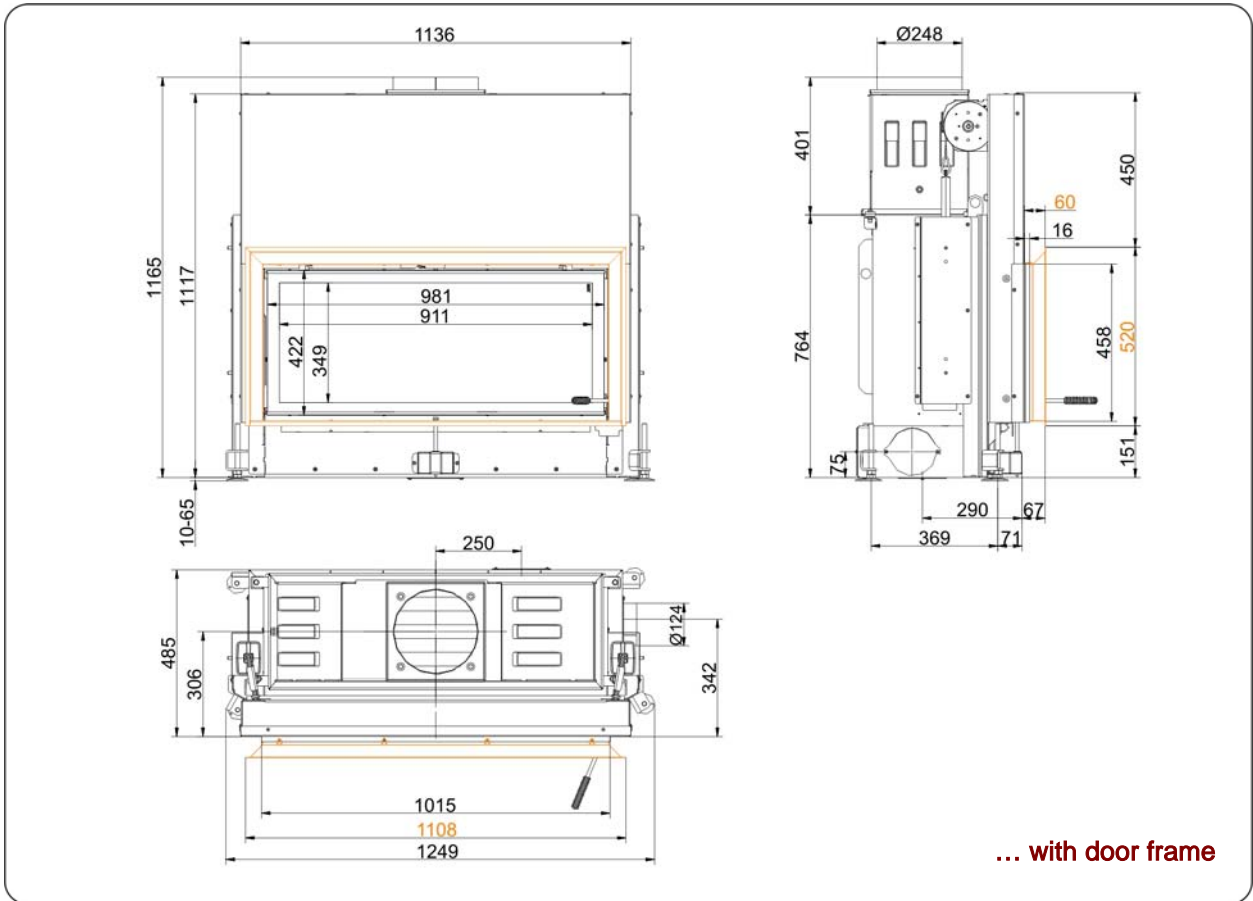
Dimension sheet | **Architektur 45/101 lifting doors**



We suggest for CAD planing Palette CAD. Permanent updated drawings: www.brunner.de

Frames / front versions are marked colored. Smoke pipe adapter fixed on the side is available against surcharge.

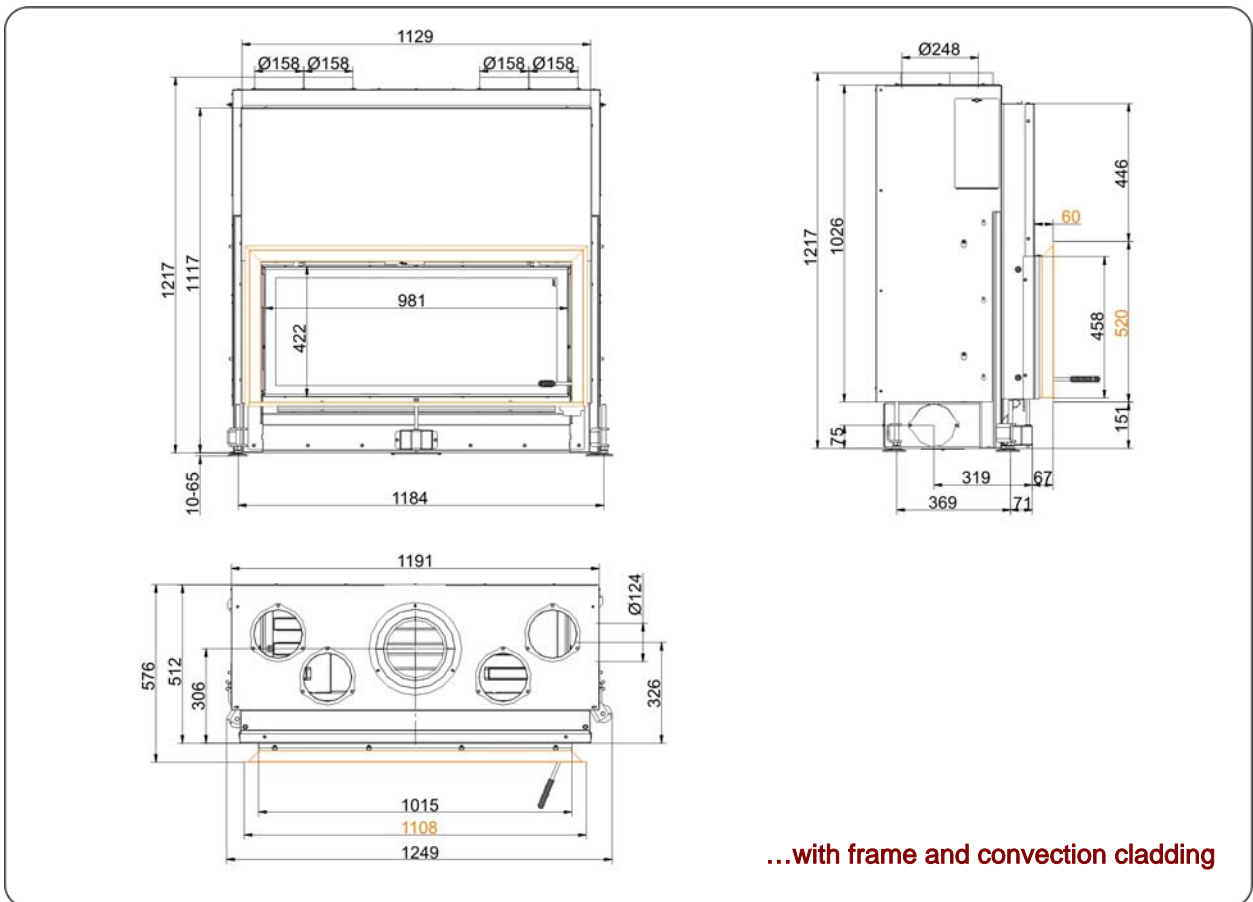
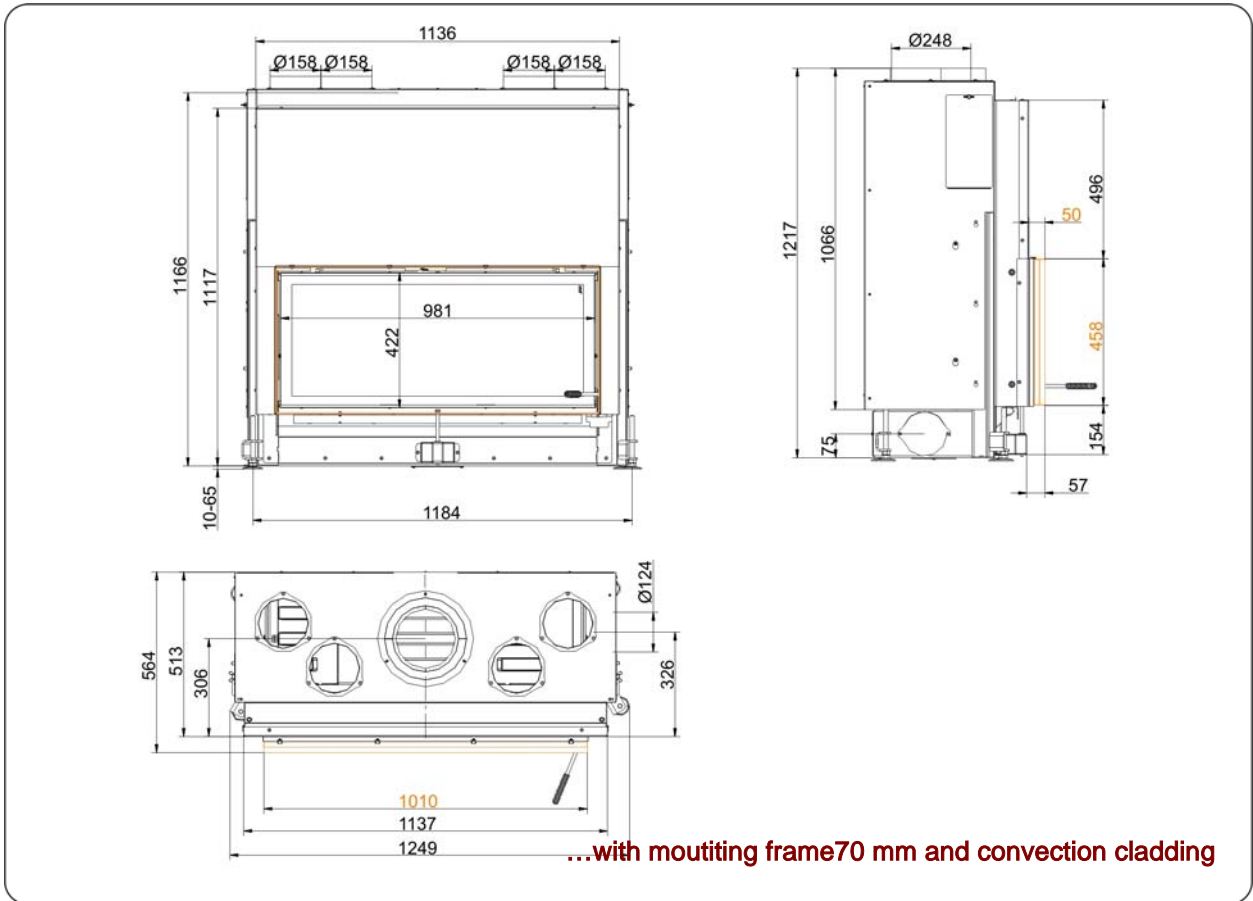
Dimension sheet | **Architektur 45/101 lifting doors**



We suggest for CAD planing Palette CAD. Permanent updated drawings: www.brunner.de

Frames / front versions are marked colored. Smoke pipe adapter fixed on the side is available against surcharge.

Dimension sheet | **Architektur 45/101 lifting doors**



We suggest for CAD planing Palette CAD. Permanent updated drawings: www.brunner.de

Frames / front versions are marked colored. Smoke pipe adapter fixed on the side is available against surcharge.

Planning and installation

Architektur 45/101

Tested according to	EN 13229 W	EN 13229 W
Values measured at	nominal load	open door
Suitable for all construction types according to rules	OK	OK

Data for functional demonstration

Rated heat power	kW	14	-
Firewood consumption	kg/h	4,3	4,3
Combustion performance	kW	18	18
Flue gas mass flow	g/s	16	80
Outlet temperature (before heating surface)	°C	-	-
Flue gas temperature after			
attached steel smoke hood	°C	220	130
adjoining cast iron radiator (GNF10)	°C	-	-
accumulation rings (MAS) ¹⁾	°C	-	-
adjoining ceramic accumulator ²⁾	°C	-	-
ceramic modular accumulator (KMS system)	°C	-	-
water boiler	°C	-	-
Necessary supply pressure	Pa	12	6
Combustion air consumption	m ³ /h	40	210
Combustion air connection Ø	mm	125	-

Heat distribution

Insert / heating surface	%	60 / -	- / -
Glass (single / double)	%	40 / -	- / -
Boiler	%	-	-

Cross-section of gratings for max. warm air power

Supply air	cm ²	900	0
Warm air	cm ²	900	0

Minimal oven surface for closed construction type

Surface giving off heat	m ²	7,2	-
-------------------------	----------------	-----	---

Space inside oven chamber without / with convection cladding

Distance to oven chamber wall	cm	8 / 0	8 / 0
Distance to floor	cm	-	-

Heat insulation without / with ³⁾ air gratings / with convection cladding

Wall	cm	18 / 14 / 3	18 / 12 / 3
Floor	cm	4 / 2 / 2	4 / 2 / 2
Ceiling	cm	25 / 18 / 18	25 / 18 / 18
Insulation of additional fire door DHT	cm	-	-
Brick lining of protected walls	cm	10	10

Weight

Fireplace + burning chamber ⁴⁾	kg	182 + 39 + 89
---	----	---------------

meets requirement limit values for

Germany / Austria / Switzerland / Norway	1.BlmSchV (Stufe 2) / 15a BVG / LRV / -
--	---

- 1) Throttle flap recommended
- 2) Approximate value, must be calculated eventually
- 3) Values with air gratings, stove casing is heat conducting
- 4) heater = body + mounted exchanger

Ulrich Brunner GmbH
 Zellhuber Ring 17 -18
 D-84307 Eggenfelden
 Phone: +49 / (0)87 21 / 7 71-0
 Fax: +49 / (0)87 21 / 7 71-100
 info@brunner.de | www.brunner.de



BRUNNER products are offered and sold only by qualified dealers and service centres.
 Subject to technical and assortment changes. Errors excepted. (08/12)