

BRUNNER FIREPLACES



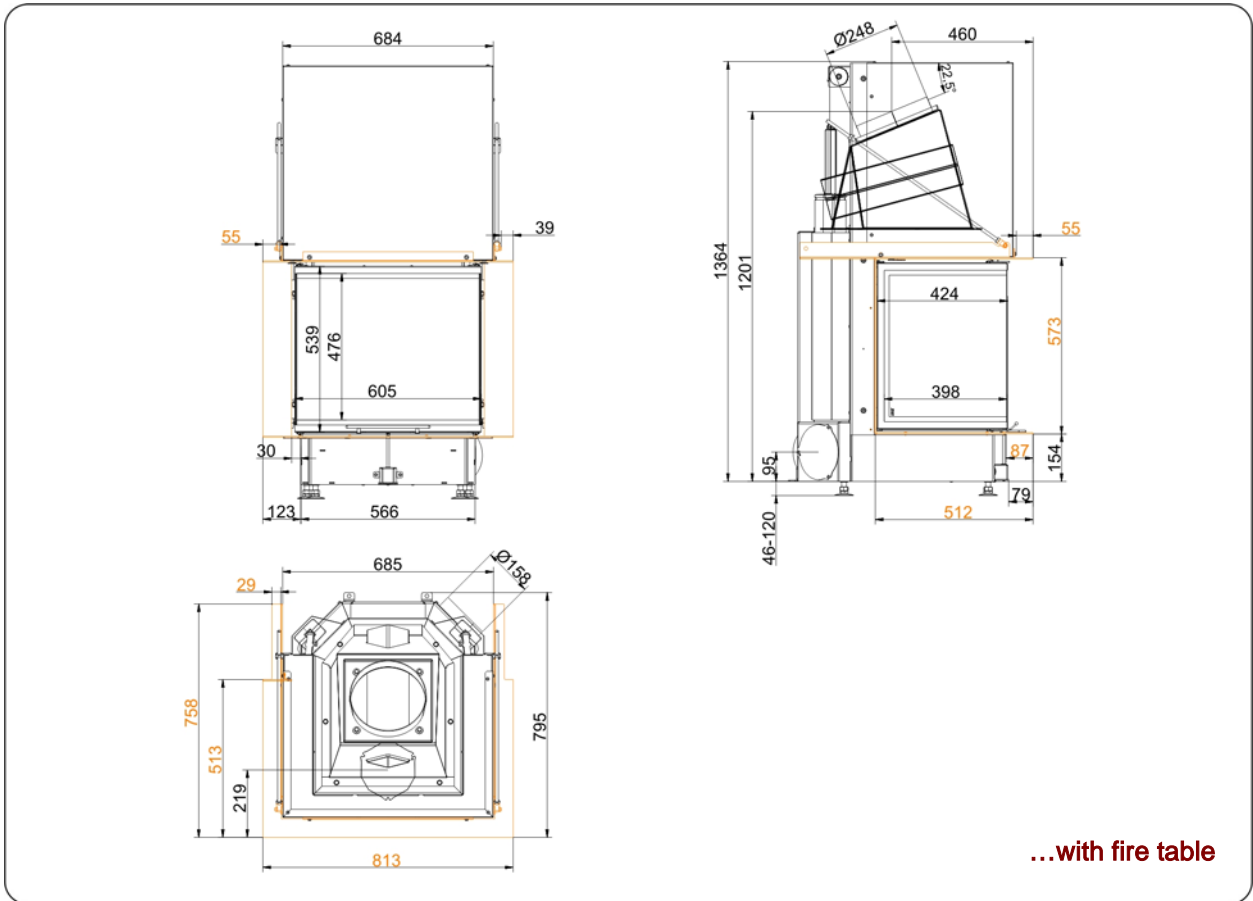
## Panorama-Kamin 57/40/60/40 lifting doors

State: 30.08.2012



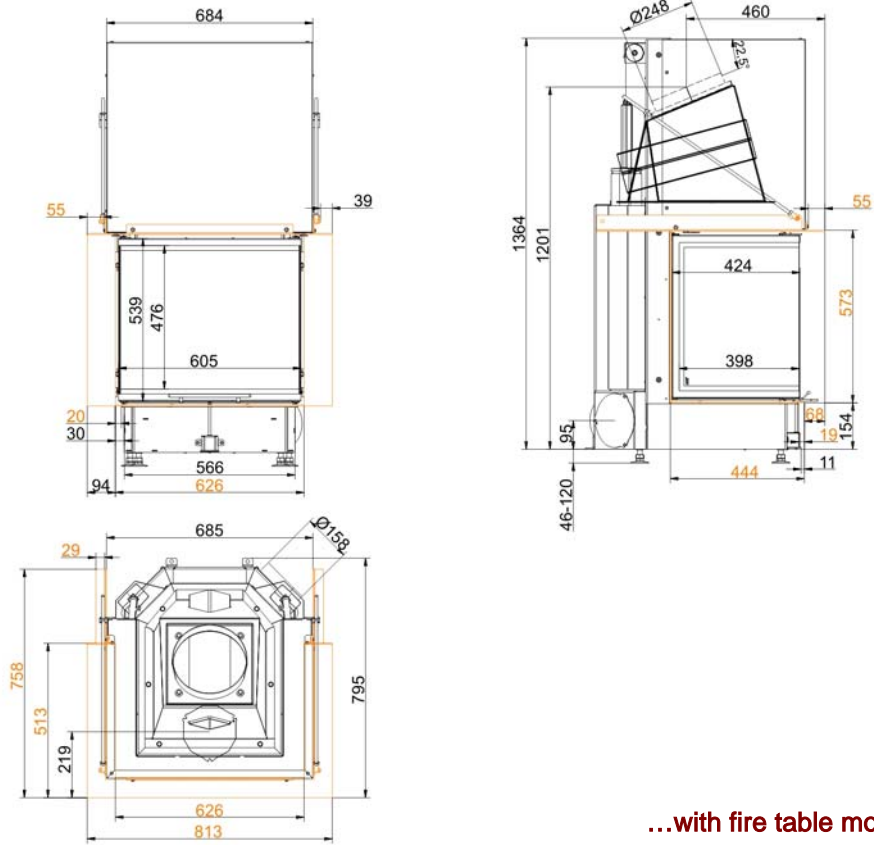
**BRUNNER**<sup>®</sup>  
*made in germany*

Dimension sheet | **Panorama-Kamin 57/40/60/40 lifting doors**



We suggest for CAD planing Palette CAD. Permanent updated drawings: [www.brunner.de](http://www.brunner.de)  
Frames / front versions are marked colored.

Dimension sheet | **Panorama-Kamin 57/40/60/40 lifting doors**



We suggest for CAD planing Palette CAD. Permanent updated drawings: [www.brunner.de](http://www.brunner.de)  
 Frames / front versions are marked colored.

# Planning and installation

## Panorama-Kamin 57/40/60/40

Tested according to	EN 13229 W	EN 13229 W	
Values measured at	nominal load	open door	
Suitable for all construction types according to rules	OK	OK	
<b>Data for functional demonstration</b>			
Rated heat power	kW	13	-
Firewood consumption	kg/h	4	4
Combustion performance	kW	17	17
Flue gas mass flow	g/s	14	90
Outlet temperature (before heating surface)	°C	-	-
Flue gas temperature after			
attached steel smoke hood	°C	340	150
adjoining cast iron radiator (GNF10)	°C	-	-
accumulation rings (MAS) <sup>1)</sup>	°C	-	-
adjoining ceramic accumulator <sup>2)</sup>	°C	-	-
ceramic modular accumulator (KMS system)	°C	-	-
water boiler	°C	-	-
Necessary supply pressure	Pa	12	8
Combustion air consumption	m <sup>3</sup> /h	40	250
Combustion air connection Ø	mm	160	160
<b>Heat distribution</b>			
Insert / heating surface	%	50 / -	- / -
Glass (single / double)	%	50 / -	- / -
Boiler	%	-	-
<b>Cross-section of gratings for max. warm air power</b>			
Supply air	cm <sup>2</sup>	900	0
Warm air	cm <sup>2</sup>	900	0
<b>Minimal oven surface for closed construction type</b>			
Surface giving off heat	m <sup>2</sup>	4,2	-
<b>Space inside oven chamber</b>			
Distance to oven chamber wall	cm	8	8
Distance to floor	cm	-	-
<b>Heat insulation without / with <sup>3)</sup> air gratings</b>			
Wall	cm	14 / 10	14 / 10
Floor	cm	2 / 2	2 / 2
Ceiling	cm	22 / 16	22 / 16
Insulation of additional fire door DHT	cm	-	-
Brick lining of protected walls	cm	10	10
<b>Weight</b>			
Fireplace + burning chamber	kg	230 + 90	
<b>meets requirement limit values for</b>			
Germany / Austria / Switzerland / Norway	1.BImSchV (Stufe 2) / 15a BVG / LRV / NS 3059		

1) Throttle flap recommended

2) Approximate value, must be calculated eventually

3) Values with air gratings, stove casing is heat conducting

Ulrich Brunner GmbH  
 Zellhuber Ring 17 -18  
 D-84307 Eggenfelden  
 Phone: +49 / (0)87 21 / 7 71-0  
 Fax: +49 / (0)87 21 / 7 71-100  
 info@brunner.de | www.brunner.de



BRUNNER products are offered and sold only by qualified dealers and service centres.  
 Subject to technical and assortment changes. Errors excepted. (08/12)