



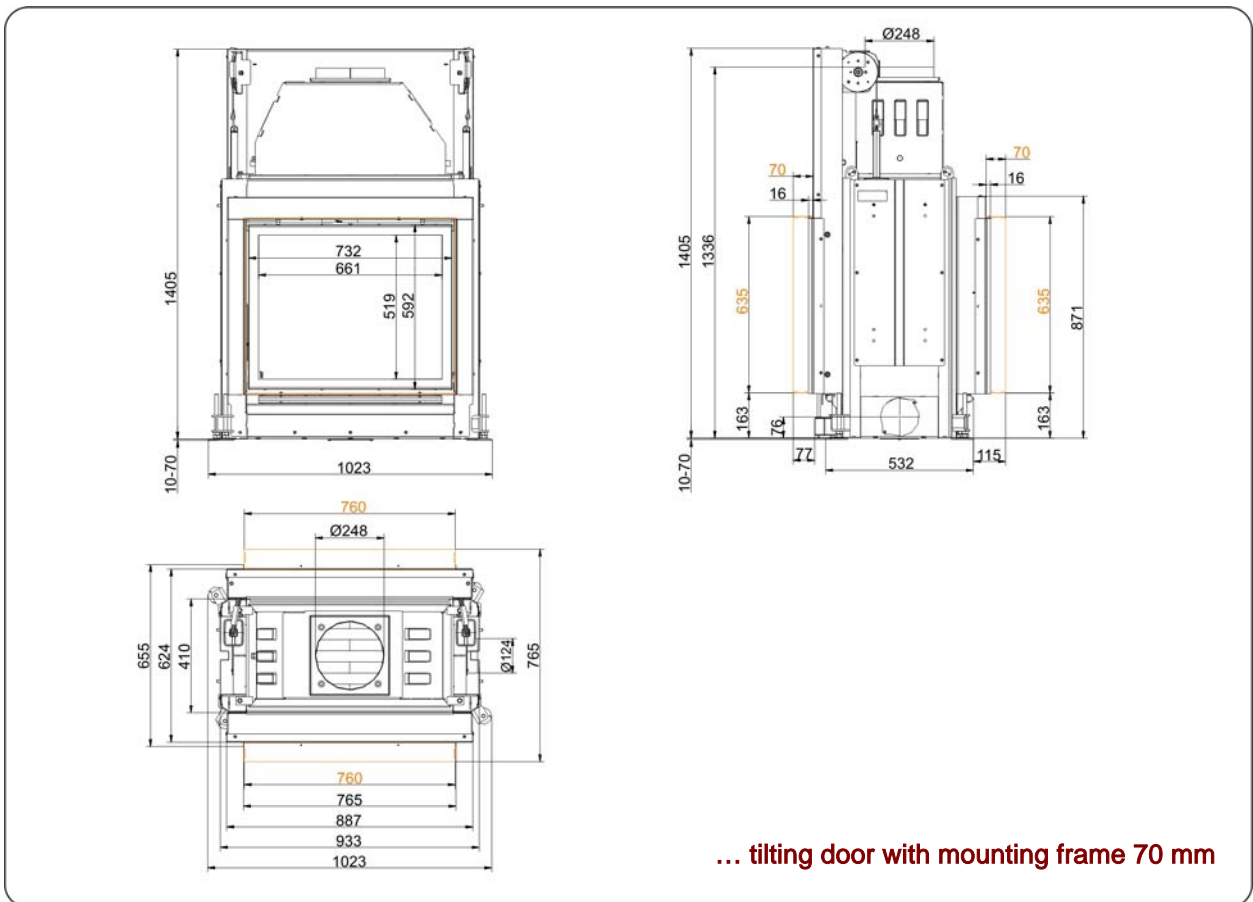
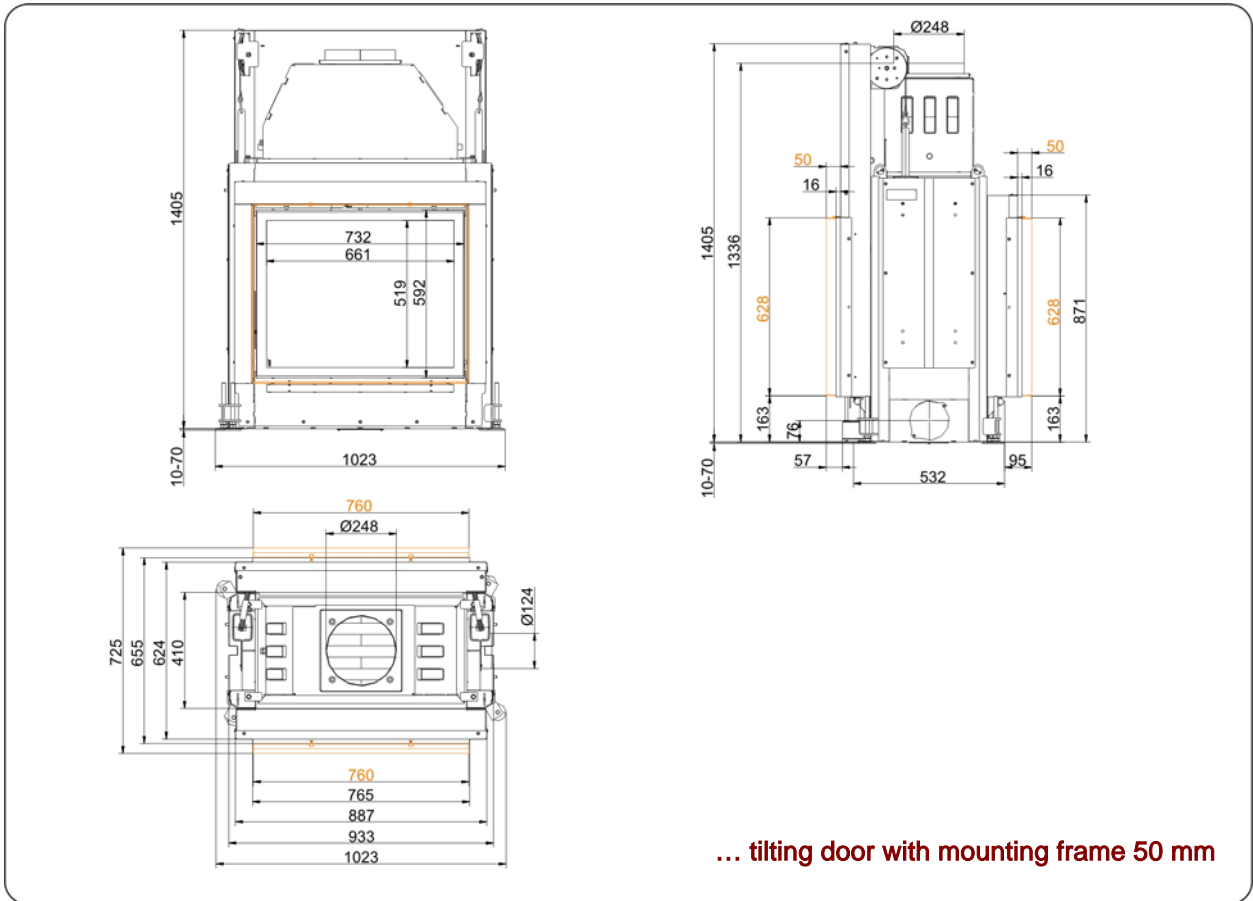
## Stil-Tunnel 62/76 lifting doors

State: 30.08.2012



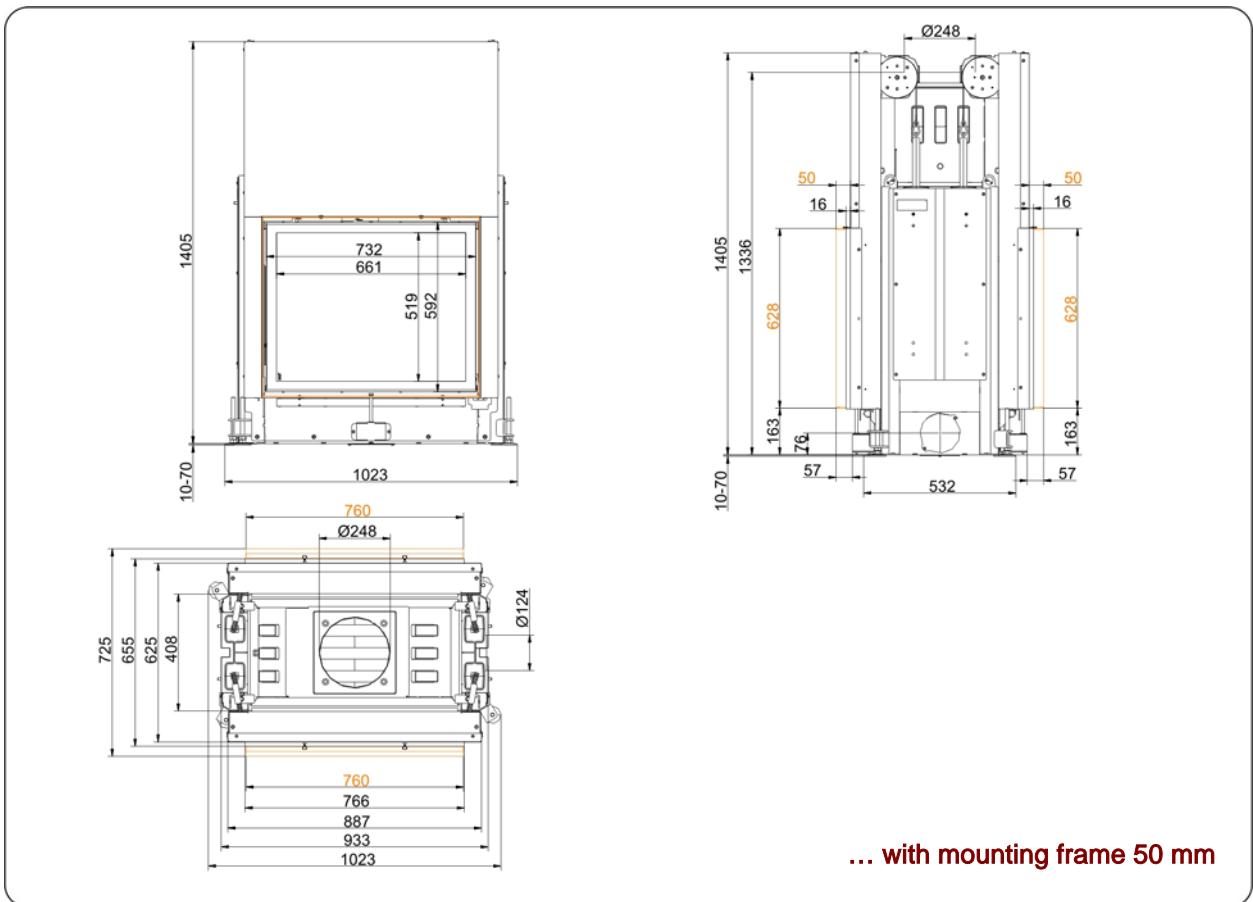
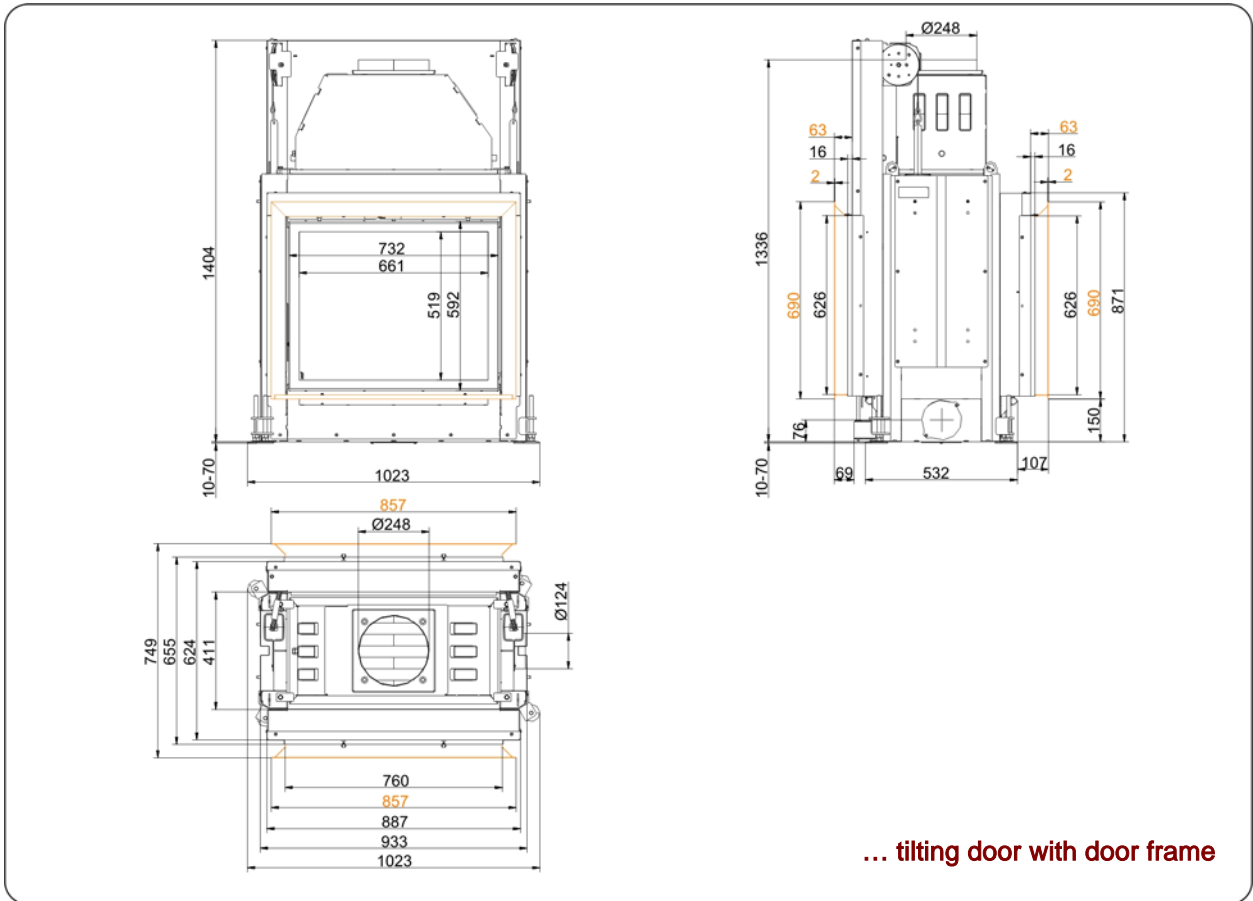
**BRUNNER**<sup>®</sup>  
*made in germany*

Dimension sheet | **Stil-Tunnel 62/76 lifting doors**



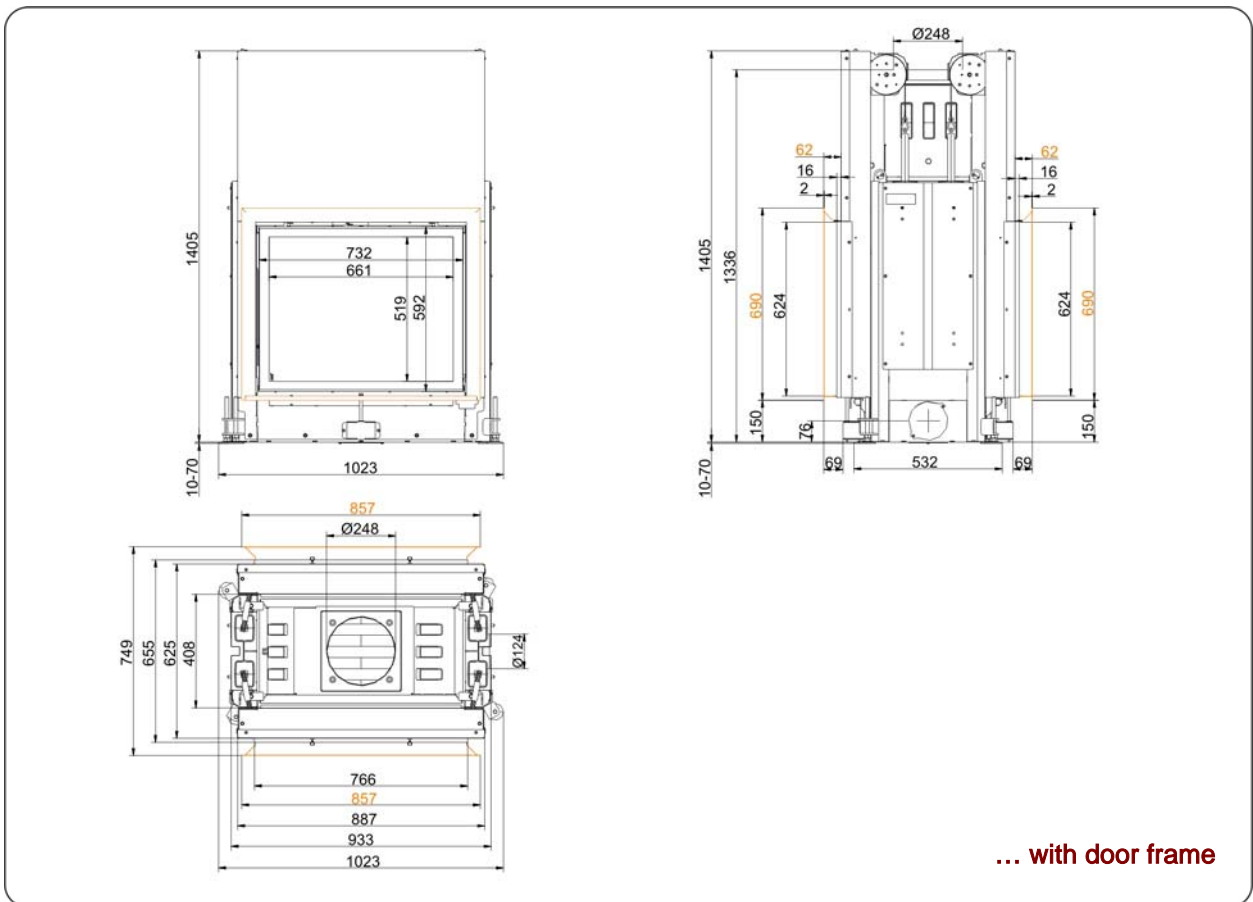
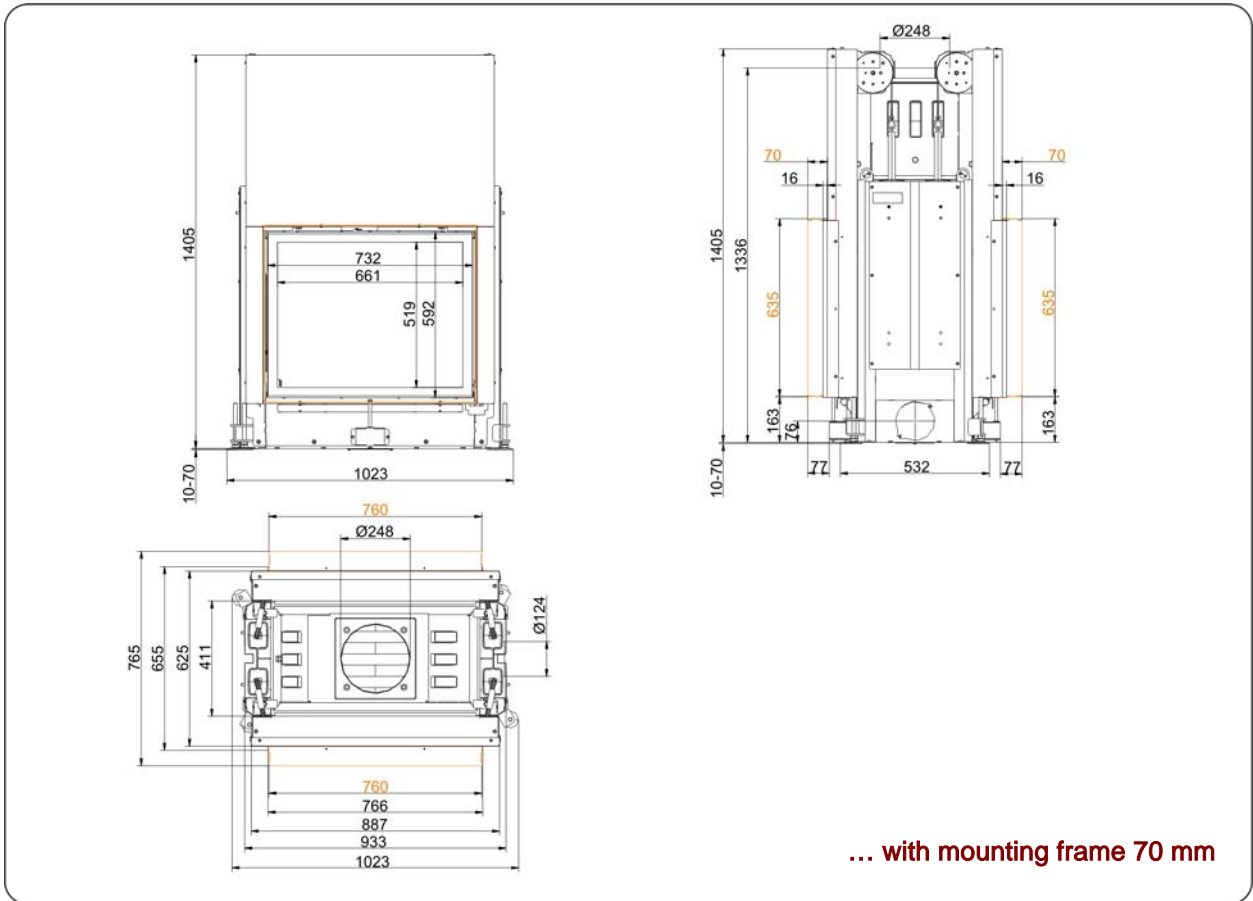
We suggest for CAD planing Palette CAD. Permanent updated drawings: [www.brunner.de](http://www.brunner.de)  
 Frames / front versions are marked colored.

Dimension sheet | **Stil-Tunnel 62/76 lifting doors**



We suggest for CAD planing Palette CAD. Permanent updated drawings: [www.brunner.de](http://www.brunner.de)  
 Frames / front versions are marked colored.

Dimension sheet | **Stil-Tunnel 62/76 lifting doors**



We suggest for CAD planing Palette CAD. Permanent updated drawings: [www.brunner.de](http://www.brunner.de)  
 Frames / front versions are marked colored.

# Planning and installation

## Stil-Tunnel 62/76

Tested according to	EN 13229 W	EN 13229 W	
Values measured at	nominal load	open door <sup>4)</sup>	
Suitable for all construction types according to rules	OK	OK	
<b>Data for functional demonstration</b>			
Rated heat power	kW	9	-
Firewood consumption	kg/h	3,0	3,0
Combustion performance	kW	11	13
Flue gas mass flow	g/s	12	70
Outlet temperature (before heating surface)	°C	-	-
Flue gas temperature after			
attached steel smoke hood	°C	155	120
adjoining cast iron radiator (GNF10)	°C	-	-
accumulation rings (MAS) <sup>1)</sup>	°C	-	-
adjoining ceramic accumulator <sup>2)</sup>	°C	-	-
ceramic modular accumulator (KMS system)	°C	-	-
water boiler	°C	-	-
Necessary supply pressure	Pa	13	6
Combustion air consumption	m <sup>3</sup> /h	35	180
Combustion air connection Ø	mm	125	-
<b>Heat distribution</b>			
Insert / heating surface	%	50 / -	- / -
Glass (single / double)	%	50 / -	- / -
Boiler	%	-	-
<b>Cross-section of gratings for max. warm air power</b>			
Supply air	cm <sup>2</sup>	800	0
Warm air	cm <sup>2</sup>	800	0
<b>Minimal oven surface for closed construction type</b>			
Surface giving off heat	m <sup>2</sup>	4,0	-
<b>Space inside oven chamber</b>			
Distance to oven chamber wall	cm	8	8
Distance to floor	cm	-	-
<b>Heat insulation without / with <sup>3)</sup> air gratings</b>			
Wall	cm	18 / 14	18 / 14
Floor	cm	4 / 2	4 / 2
Ceiling	cm	22 / 16	22 / 16
Insulation of additional fire door DHT	cm	-	-
Brick lining of protected walls	cm	10	10
<b>Weight</b>			
Fireplace + burning chamber	kg	279 + 75	
<b>meets requirement limit values for</b>			
Germany / Austria / Switzerland / Norway	1.BImSchV (Stufe 2) / 15a BVG / LRV / -		

1) Throttle flap recommended

2) Approximate value, must be calculated eventually

3) Values with air gratings, stove casing is heat conducting

4) limited to one side opening

Ulrich Brunner GmbH  
 Zellhuber Ring 17 -18  
 D-84307 Eggenfelden  
 Phone: +49 / (0)87 21 / 7 71-0  
 Fax: +49 / (0)87 21 / 7 71-100  
 info@brunner.de | www.brunner.de



BRUNNER products are offered and sold only by qualified dealers and service centres.  
 Subject to technical and assortment changes. Errors excepted. (08/12)